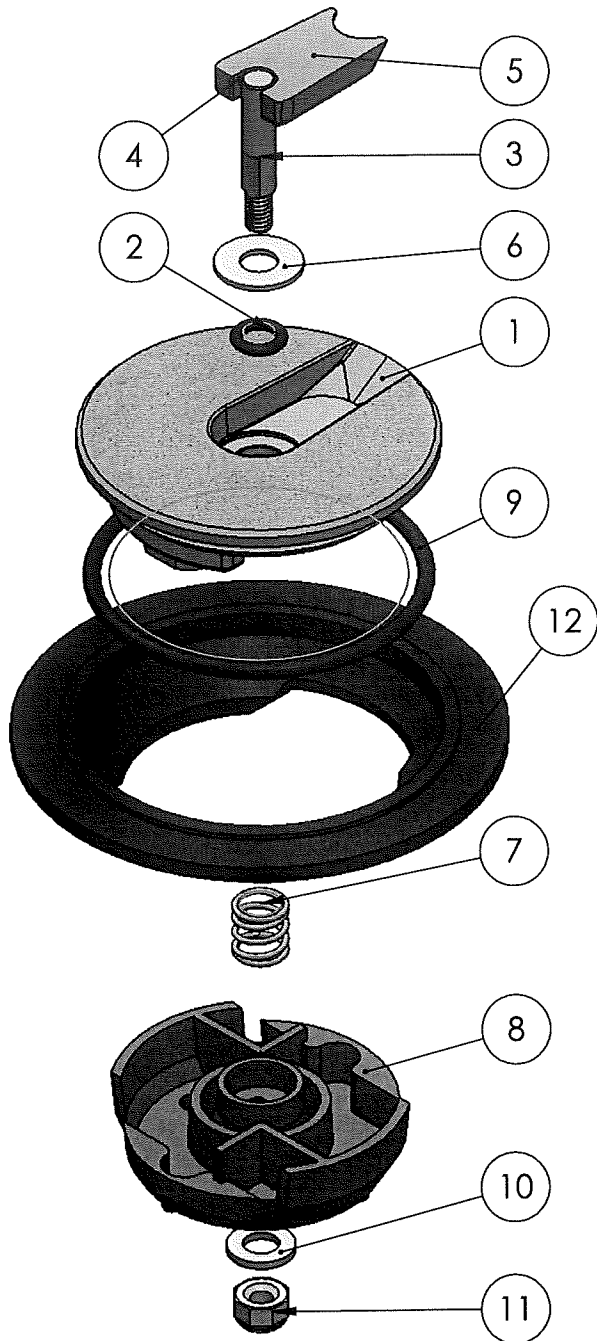


ITEM NO.	QTY.	PART NO.	
1	1	NONE LOCKABLE CAP	
2	1	LEVER SHAFT 6mm X 2 'O' RING	
3	1	LEVER SHAFT	
4	1	LEVER SHAFT PIN	
5	1	NC 014	
6	1	LEVER SHAFT STEEL WASHER	
7	1	NC-404 SPRING	
8	1	NC-403	
9	1	57mm x 3 'O'RING	
10	1	PLASTIC WASHER NC 078	
11	1	NUT 2BA	
12	1	NC 008	

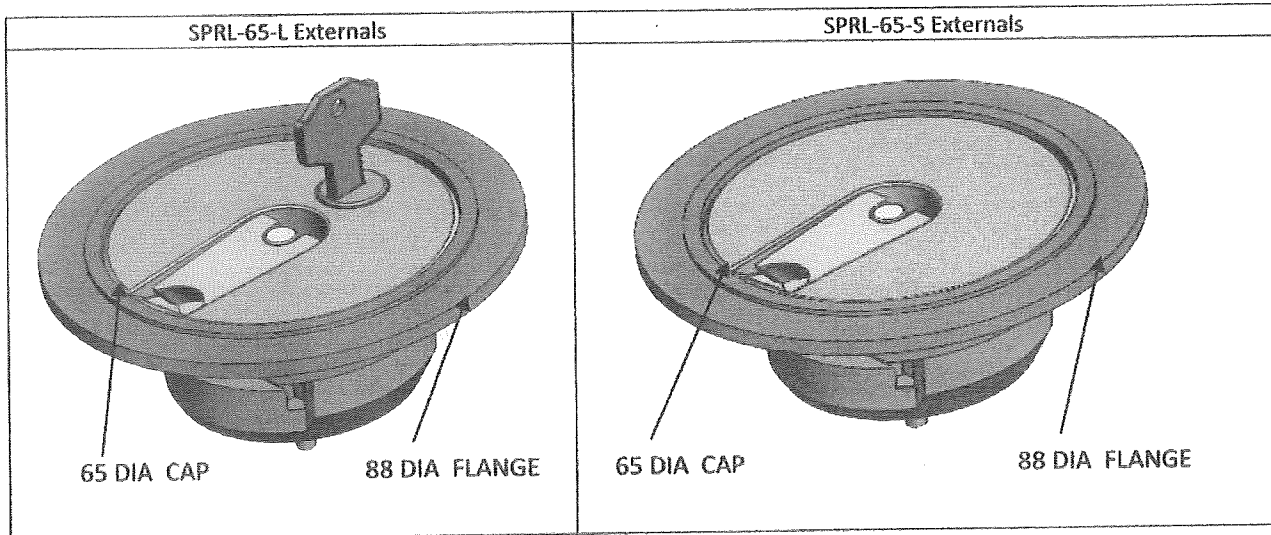


MATERIAL	
1	20/30% GLASS FILLED ACETAL
2	VITON 75
3	ALUMINIUM
4	STAINLESS STEEL
5	20/30% GLASS FILLED ACETAL
6	STAINLESS STEEL
7	STAINLESS STEEL
8	20/30% GLASS FILLED ACETAL
9	VITON 75
10	NYLON 66
11	NYLON 66
12	RED ANODISED ALUM-ALLOY 6082

SPRL 5 NON- LOCKABLE
FUEL CAP ASSEMBLY

SPRL-65-L and SPRL-65-S

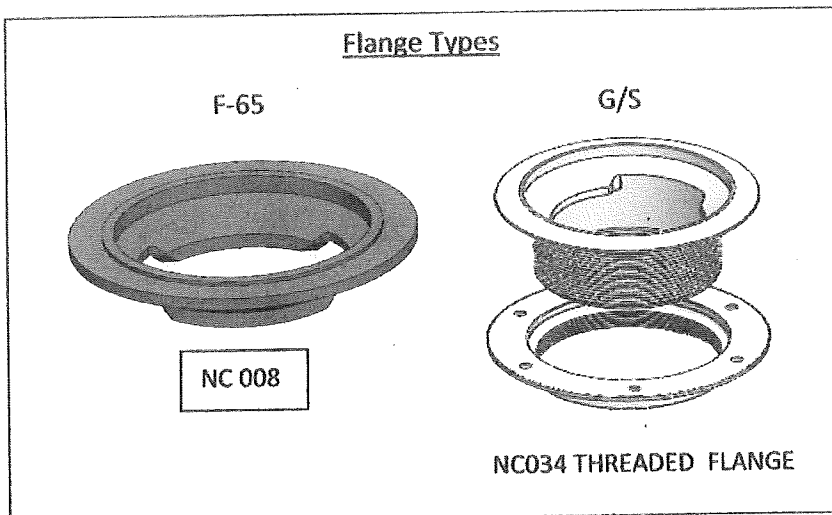
Tech Specs



Applications	Materials
Fuel, oil & water tanks	Alloy 6082 T6 anodised red
	Seals Viton 75 to BS 1806
	Acetal

Options

All the SPRL range are available in Locking (L) and Non-locking (S) options. Arrangements can be made to supply a series with matching key numbers



In accordance with our policy of continuous improvement we reserve the right to change our products without prior notice. Please contact our technical office for notice of any product updates.

Newton consulting SPRL limited	www.newtonsprl.co.uk
Bankside Works, London Road, Chalford, Stroud, UK	Tel: +44 1453 884908