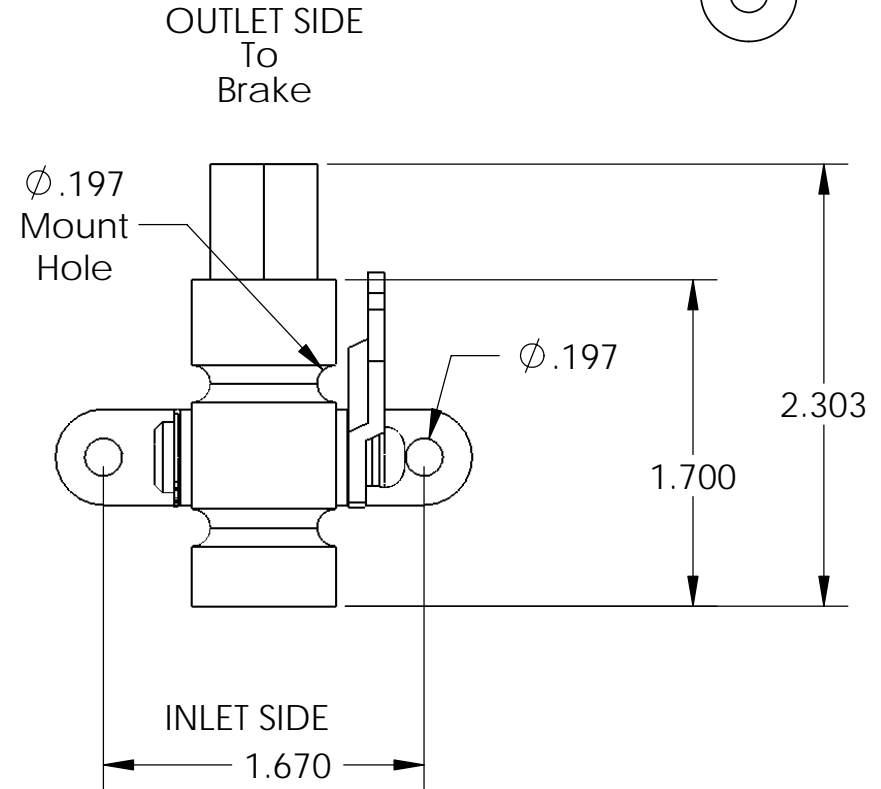
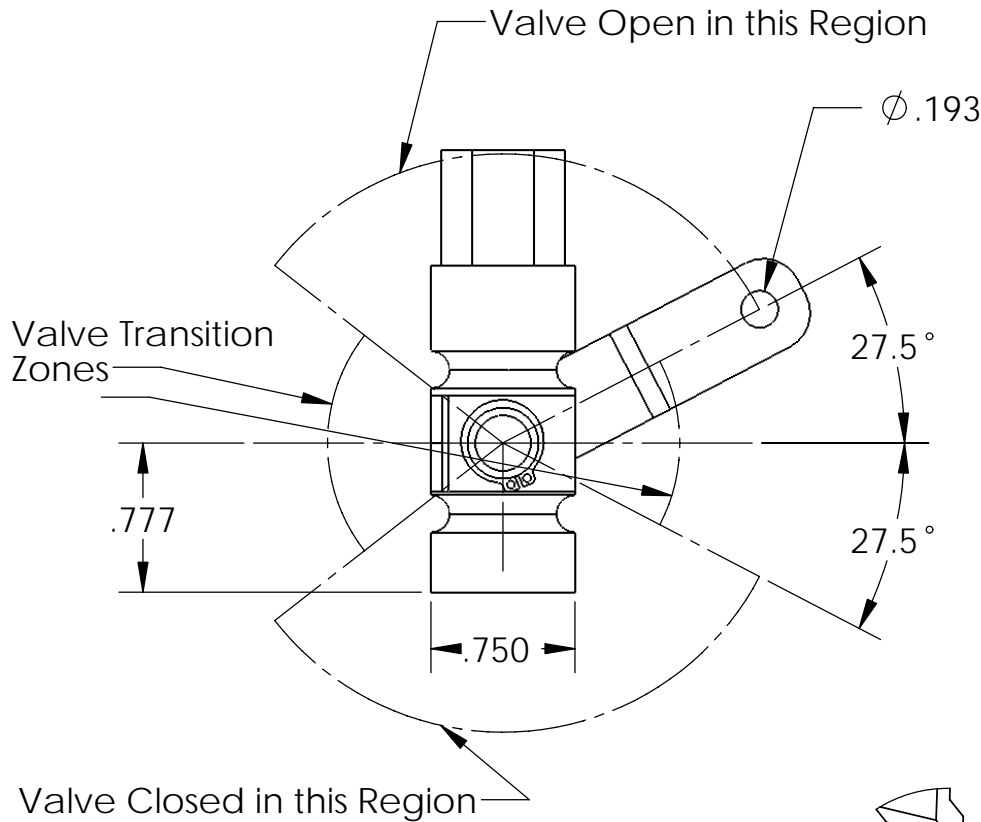
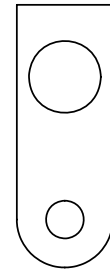


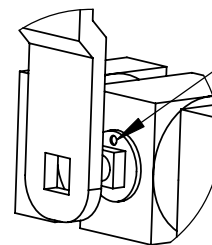
**For Use with Mil-H-5606  
or Equivalent Fluid**

**Inlet and Outlet Port  
Thread Size 1/8 NPT**

Alternate Mount  
plate included with  
valve for use in  
flat mount in place  
of 90 deg mount.



**CAM ORIENTATION NOTE:** Lever can be moved to change Operating Zones in 90 deg increments. Default alignment as shown at right.



NEXT ASSY.	USED ON	QTY
APPLICATION		

**MATCO mfg**



2361 S. 1560 West  
Woods Cross, Utah 84087 USA

NOMENCLATURE  
VALVE, PARK

MATERIAL  
VARIES

PART NUMBER  
PVPV-S

DRAWING NO.  
PARK/PVPV-S INSTALL

REVISION  
NC

SCALE  
1:1

Est Wt. (lb)  
0.187

TOLERANCES  
(EXCEPT AS NOTED)

DO NOT SCALE DRAWING  
LINEAR .XX = + .03  
.XXX = + .01  
ANGULAR  $\pm$  1/2  
CONCENTRIC  $\pm$  .01

DRAWN BY  
George R. Happ

FINISH

DATE  
7/10/2008

CHECKED BY

SHEET 1 OF 1  
SHEET SIZE A