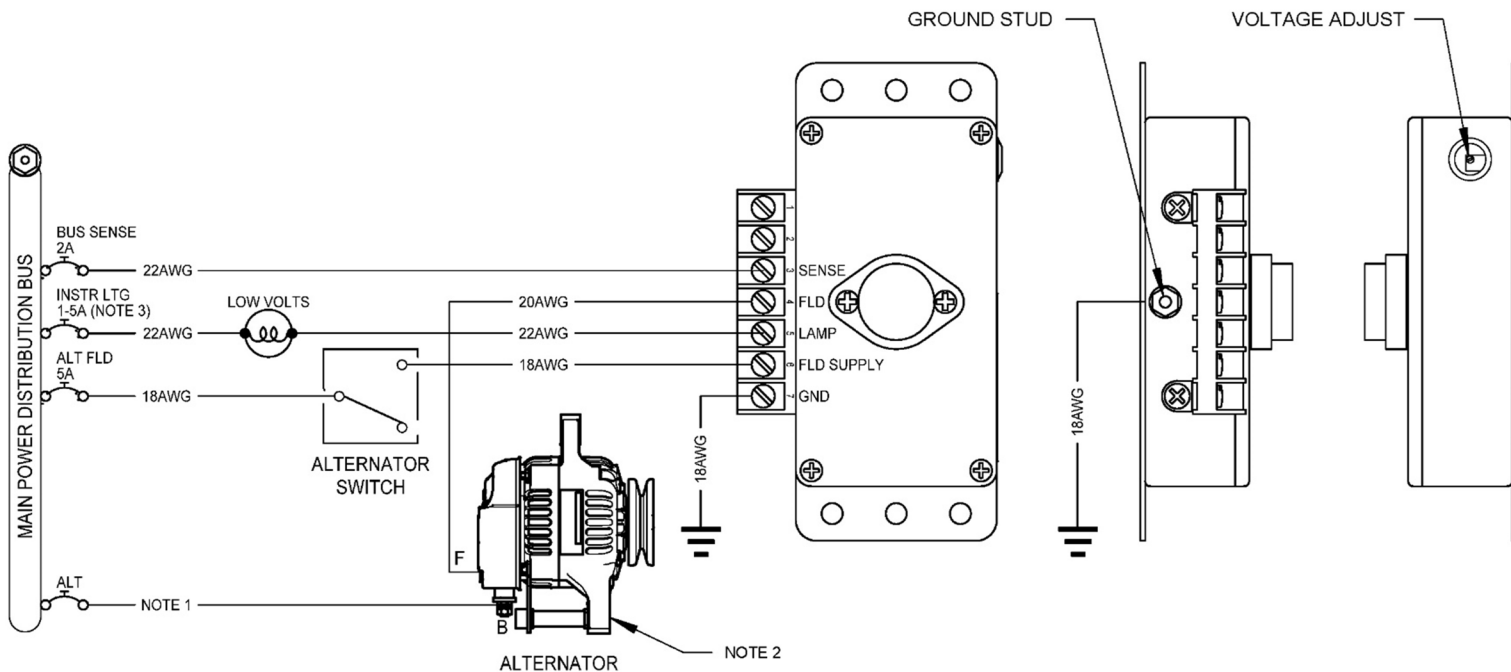


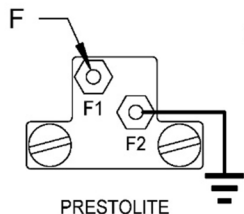
Wiring Diagram for LR3D-14 and LR3D-28 Voltage Regulator



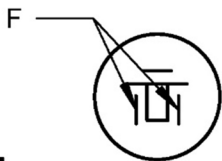
NOTE 1 - SELECT WIRE AWG PER AC43 13-1B

NOTE 2 - ALTERNATOR GROUNDED THROUGH BRACKET TO ENGINE CASE

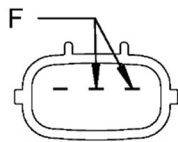
NOTE 3 - LOW VOLTS LIGHT MAY BE POWERED BY ANOTHER EXISTING CIRCUIT BREAKER SUCH AS INSTRUMENT LIGHTING, ENGINE INSTRUMENTS, OR SOMETHING ELSE APPROPRIATE.



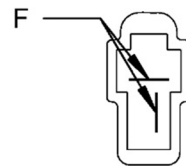
PRESTOLITE



L60



LX60, BC460, BC462



L40, BC410, BC425

EXPLANATION OF TERMINALS 1 THRU 7

1. OPTIONAL TEMPERATURE PROBE
2. OVER-VOLTAGE TEST
3. BUS VOLTAGE SENSE
4. FIELD
5. LOW VOLTAGE WARNING LIGHT
6. BUS - FIELD SUPPLY
7. GROUND

THIS PART IS NOT STC'd OR PMA'd AND IS SOLD FOR EXPERIMENTAL AIRCRAFT ONLY.