

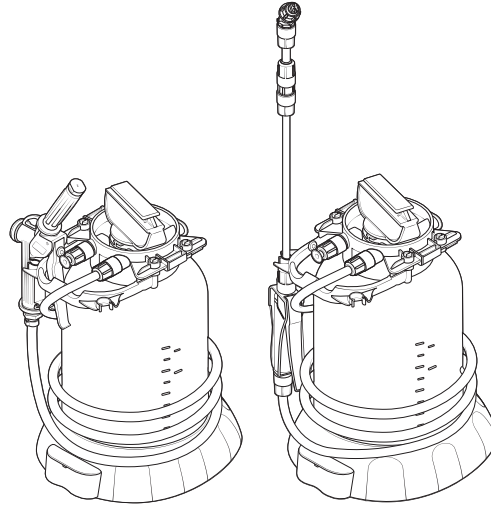
1.3 Gallon Pump-Up Foam Unit

User Manual

F5.0L | F5.0L-PSG

READ ALL INSTRUCTIONS BEFORE USING, OR SERVICING, THIS EQUIPMENT. KEEP THIS MANUAL IN A LOCATION THAT IS READILY AVAILABLE TO USERS AND SERVICE TECHNICIANS.

English (Original Instructions)



Product requirements

Liquid temperature range	40-100°F (4.4-37°C)
Chemical compatibility	Chemical products used with this equipment must be formulated for this type of application and compatible with unit materials and pump seals. For more information on chemical compatibility, consult the manufacturer or SDS for your product or contact our customer service department.

Product specifications

	F5.0L	F5.0L-PSG
Power type	Manual	
Chemical pickup type	Pre-mixed solution	
Number of products unit can draw from	One product	
Capacity	1.3 gallons (5 liters)	
Discharge line length/diameter	6.5 ft. (2 m) hose, with 1/4 in. (6.4 mm) inside diameter)	
Discharge wand/tip type	Polypropylene trigger handle with 17 in. (43.2 cm) wand extension and 110° fan tip	Polypropylene trigger handle with 65° fan tip
Output distance	1-3 ft. (0.3-0.9 m)	3-5 ft. (0.9-1.5 m)
Output volume	1 gal/min (3.8 l/min)	2.5 gal/min (9.5 l/min)
Flow rate*	0.24 gal/min (0.9 l/min)	0.45 gal/min (1.7 l/min)
Pump seals	Viton	
Run time from full tank**	Approx. 5 min.	Approx. 3 min.

* Dilution rates and flow rates given are based on chemical with viscosity of water and factory air pressure settings.

** Area covered and run time may vary based on humidity, air flow, and product used.

1 Safety

WARNING

PEOPLE OR OBJECTS CAN BE HURT OR DAMAGED IF THIS UNIT IS NOT USED CORRECTLY!



Failure to read all the instructions before operating the unit may result in personal injury or death from the improper use of the chemical solution. Anyone handling, operating or using the unit must read, and understand, the instructions in the manual. The buyer assumes all responsibility for safety and proper use in accordance with the instructions.



Using, or servicing, the unit without proper protective clothing, gloves, and eye wear may result in serious injury such as burns, rashes, eye, throat or lung damage and death. Always wear protective clothing, gloves, and eye wear when using, or servicing, the unit. Protect eyes, skin, and lungs against drifting spray.



Chemical solutions may pose a health risk and death if they contact the skin or eyes, are inhaled or swallowed. Always read, and follow, all chemical safety precautions and handling instructions provided by the chemical manufacturer and the Safety Data Sheet (SDS) associated with the chemical solution being used before using the unit.



Pressure within the equipment may cause an unexpected release of the chemical solution and cause serious injury such as burns, rashes, eye damage, throat or lung damage and death. Always depressurize and clean the unit after each use. Never leave the unit unattended while pressurized.

Using the unit with fluid temperatures above 100°F (37.77°C) may result in scalding, burns, serious injury or death. DO NOT use a solution with a temperature above 100°F (37.77°C).

Operating the unit when damaged or leaking may result in exposure to chemical solutions, serious injury or death. Never use the unit if it is damaged or leaking.

Never point the discharge wand at yourself, another person, or any object you do not want covered in chemical.

Using incoming air pressure exceeding 100 psi (7 bar) may result in pressure buildup, explosion, serious injury or death. DO NOT exceed 100 psi (7 bar) incoming air pressure when operating the unit.



Use of hydrocarbons and flammable products may result in explosions, fire and serious injury or death. Never use hydrocarbons or flammable products with the unit.



Mixing an alkaline with an acid may result in a chemical reaction. Overheating of the mixture may cause it to splatter caustic compounds or release hazardous fumes, gas and vapors. Always flush the unit with fresh water for five (5) minutes when switching from an alkaline to an acid or an acid to an alkaline.

NOTICE

Servicing, or modification, of this unit with parts not listed in this manual may cause the unit to operate improperly. Do not use unauthorized parts when servicing the unit.

Use of an air lubricator before the unit may result in diminished performance and damage to the unit. Do not use an air lubricator before the unit.

Moisture in the air lines may damage the pump and diminish the units life. The air must be filtered, clean, dry and free of moisture. If needed, install an air dryer before the unit.

PROTECT THE ENVIRONMENT



Please dispose of packaging materials, old machine components, and hazardous fluids in an environmentally safe way according to local waste disposal regulations.

2 Operation

1. Remove all components from the packaging.
2. **For F5.0L:** Attach the wand assembly to the trigger handle. For **F5.0L-PSG:** Continue to step 3.
3. Pull the green pressure release valve until the red portion of the stem is showing to confirm the unit is not pressurized.
4. With the pump handle pressed fully down, hold the unit and unscrew the pump assembly from the tank head to access the filler hole.
5. Follow all instructions from the chemical manufacturer when filling the unit. Fill the tank 3/4 full with pre-mixed solution. Do not overfill the tank.
6. With the pump handle pressed fully down, hold the unit and screw the pump assembly back into the tank head to close the unit.
7. To pressurize the tank, rotate the handle of the pump assembly until it is free then pump up the unit. The pressure relief valve will begin leaking air when the tank is fully pressurized.
8. Once the desired pressure has been achieved, push the handle of the pump assembly down and rotate to lock it in place.
9. To start foaming, point the wand or trigger gun at the area you wish to foam and squeeze the trigger handle to discharge foam.

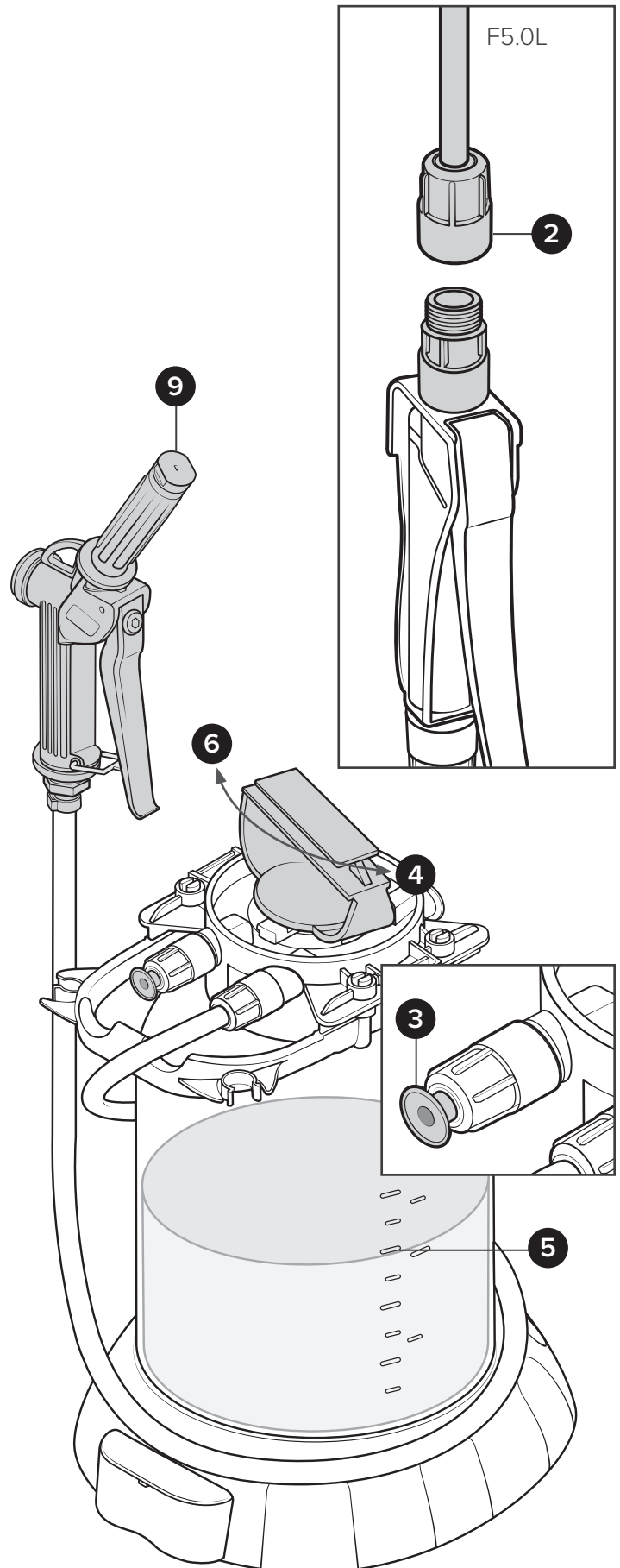
After Use Instructions

1. Disconnect the airline from the air fitting. Release air pressure from unit after each use by activating the pressure relief valve.
2. Flush the unit with fresh water. It is recommended to always empty out remaining solution and run fresh water through the unit to rinse all parts thoroughly after each use and before storage.

Maintenance Instructions

To keep your unit operating properly, periodically perform the following maintenance procedures:

- Check the pump assembly for wear and leaks.
- Check the suction line for debris and clean as needed.
- Periodically lubricate the pump seal with food safe lubricant. To lubricate the pump seal, raise the handle of the pump assembly and apply 5-10 drops of food safe lubricant between the pump and pump sleeve.



4 Parts

Item number	Description
HBSS1214	Stainless hose barb 1/2 MPT x 1/4 barb
LC-FGA-PSG12	Foam gun assembly for 5L/10L with PSG12
LC-HA	Hose assembly for 5L/10L
LC-HNDL-CLP	Tank handle for 5L/10L with clips
LC-LLA	Long lance (10 in) assembly for 5L/10L with retaining nuts
LC-PA	Manual pump assembly for 5L/10L-viton
LC-PRV	Pressure relief valve for 5L/10L
LC-PSG	Poly spray gun for 5L/10L-blue
LC-SLA-F5.0L	Short lance (2 in.) assembly for 5L/10L foam unit-with wadding and spray tip
LC-STB	Button spray tip for 1.5L/5L
LC-THA-F5.0L	Tank head assembly for 5L foam unit-with pressure relief valve and tank handle
LC-WA-OR	Oring in 1.5L/5L/10L wand
LC-WA-RN	Retaining nut for 1.5L/5L/10L wand assembly
LC-WD	Wadding disk for 1.5L/5L/10L (1 piece)
PSG12	1/2 in. poly spray gun with o-ring and gray handle & 316SS
PUWAND	1/2 in. MPT poly wand with integrated 65 degree fan tip
TANK5.0L	5 Liter tank
WAAD-.5	1/2 in. diameter wadding for foam units
WAAD-.625	5/8 in. diameter wadding for foam units

