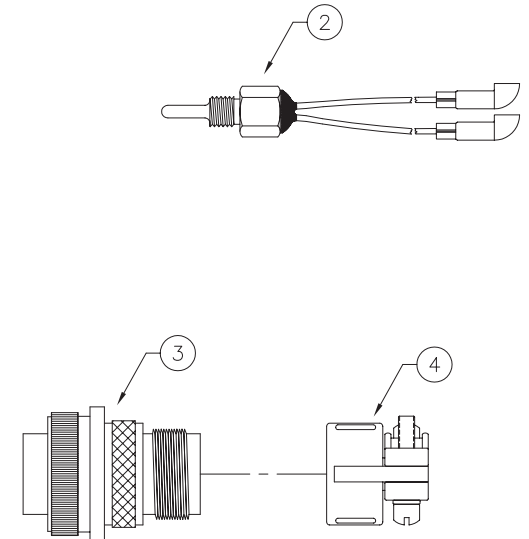
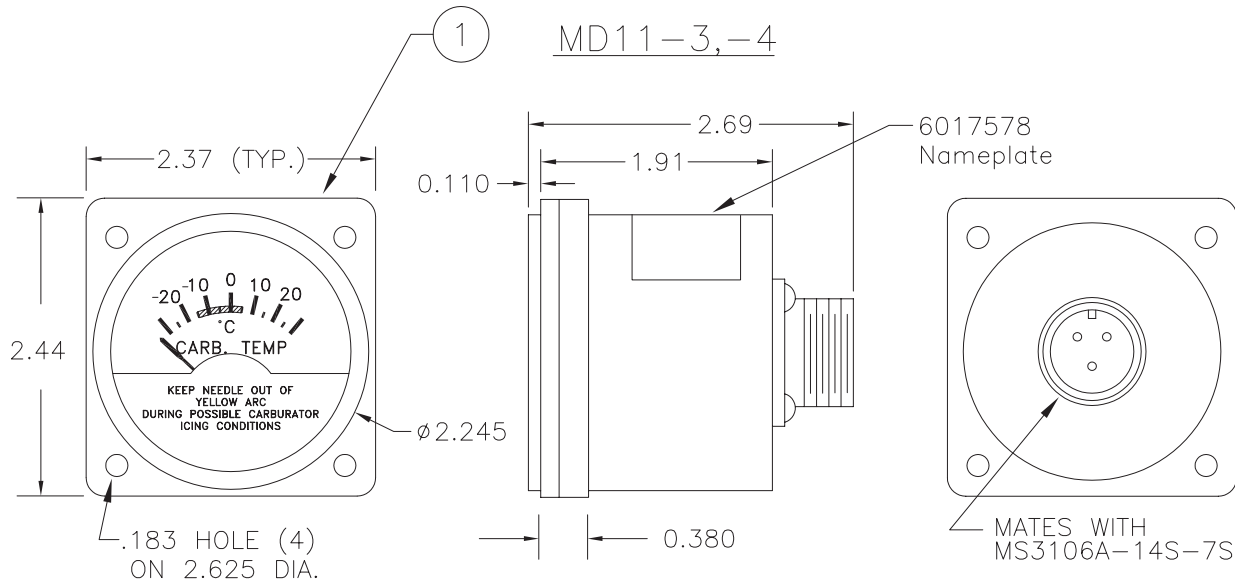


| Configuration | | |
|---------------|------|---------|
| Dash # | MD11 | Voltage |
| -3K | -3 | 12 VDC |
| -4K | -4 | 24 VDC |

| Revisions | | | | |
|-----------|------|-------------|------|----------|
| ECO | Rev. | Description | Date | Approved |
| | | | | |

Logo and company name have been changed in title block only. No functional or technical changes have been made. Revision remains unchanged.



WIRING DIAGRAM:

- A- +VOLTAGE INPUT
- B- B5 PROBE
- C- GROUND

Note:

- 1) For use with Richter B-5 Carb. Air Temp. Probe.
- 2) Dial markings and pointer are matte white. Dial background, bezel, and case are dull black.
- 3) Range mark: 0.06 wide yellow arc: -15° to +5°C
- 4) Case in accordance with MS33638 (2 inch) except as shown.

| Item | Qty | Part Number | Description |
|------|-----|---------------|----------------------------|
| 1 | 1 | See Config. | MD11 Carb. Temp. Indicator |
| 2 | 1 | B-5 | Carb. Temp. Probe |
| 3 | 1 | MS3106A14S-7S | Mating Connector |
| 4 | 1 | MS3057-6A | Cable Strain Relief |

| | | | |
|---------------------------------------------------------------------------------------------------------------------------------------------------------------------------------------------------------------------------------------------------------------------------------------------------------|------------------|-----------|---------|
| <small>UNLESS OTHERWISE SPECIFIED ALL DIMENSIONS ARE IN INCHES TOLERANCE: FRACTIONAL = ± 1/64 .XX = ± .015 .XXX = ± .005 .XXXX = ± .002 ANGULAR = ± 0.5° CONCENTRICITY: .005 TIR BREAK ALL SHARP EDGES THREADS PER MIL-S-7742 SURFACE ROUGHNESS _____ ✓</small> | DRAWN | S. Haines | 8/28/99 |
| | APPROVED | GR | 9/1/99 |
| | NEXT ASSY: | | |
| | USED ON: | | |
| | END ITEM: | MD11 kits | |
| | CODE IDENT. NO.: | 59742 | |



| | |
|----------------------|---------------------------|
| TITLE: | PART NUMBER: |
| Kit, Carb. Air Temp. | MD11-3K,-4K |
| SCALE: None | DO NOT SCALE THIS DRAWING |
| | SHEET 1 of 1 |

This document discloses proprietary information of Mid-Continent Instrument Co., Inc. It may be reproduced or disclosed only with written permission of Mid-Continent Instrument Co., Inc. and is not to be used in any way detrimental to the interests of Mid-Continent Instrument Co., Inc.