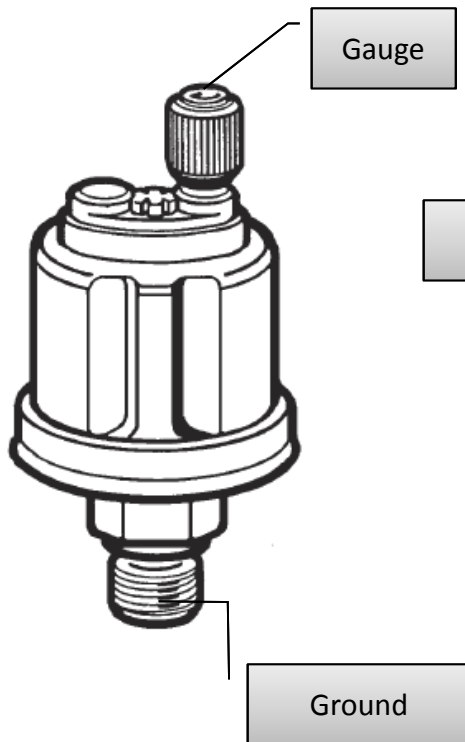
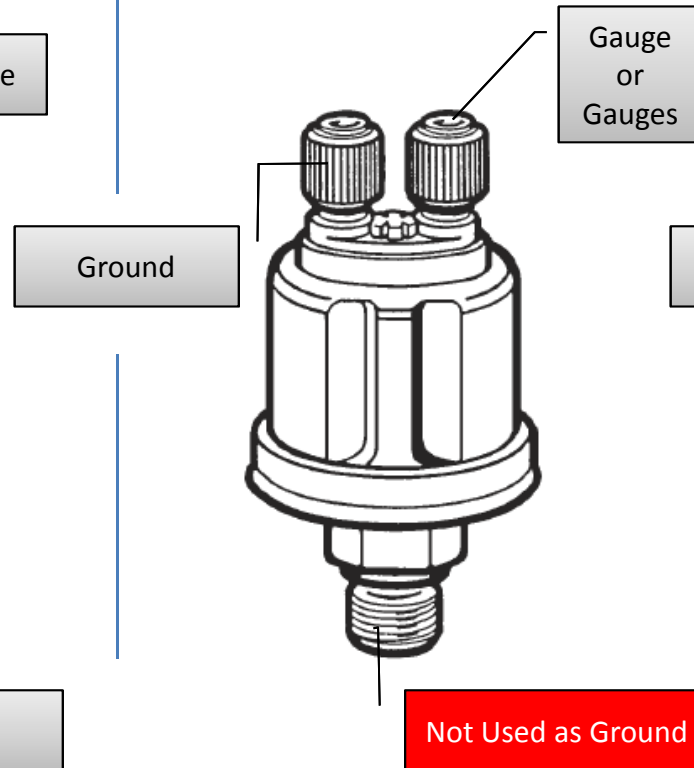


VDO Pressure Senders

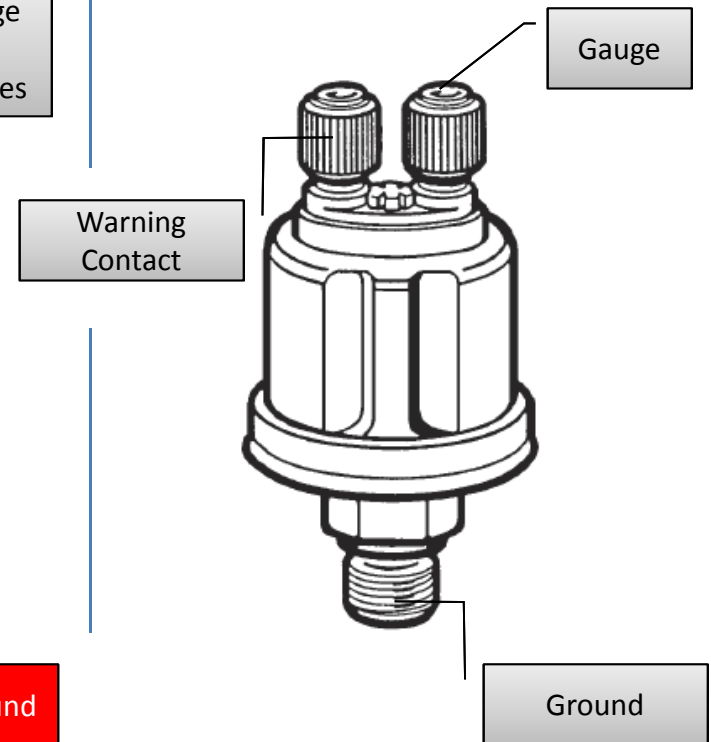
Standard Ground
and
Dual Station Standard Ground



Floating Ground
and
Dual Station Floating Ground



Standard Ground
With Warning Contact



- * Not all pressure senders have knurled nut terminals.
- * Dual Station senders work with two identical VDO gauges ONLY.