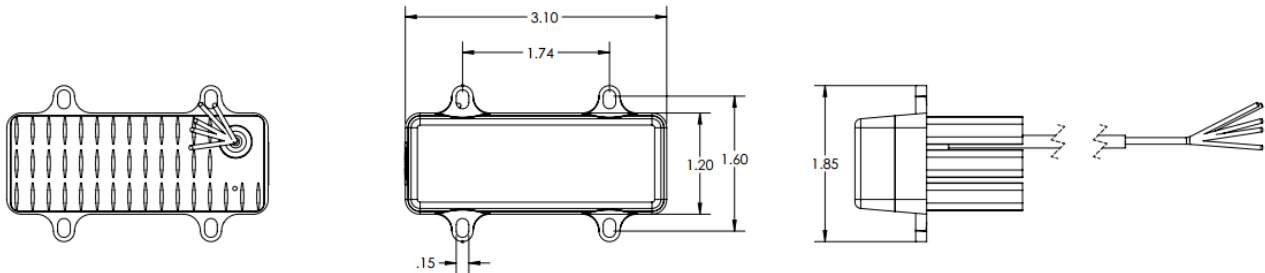
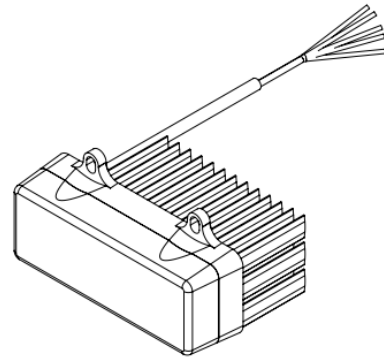
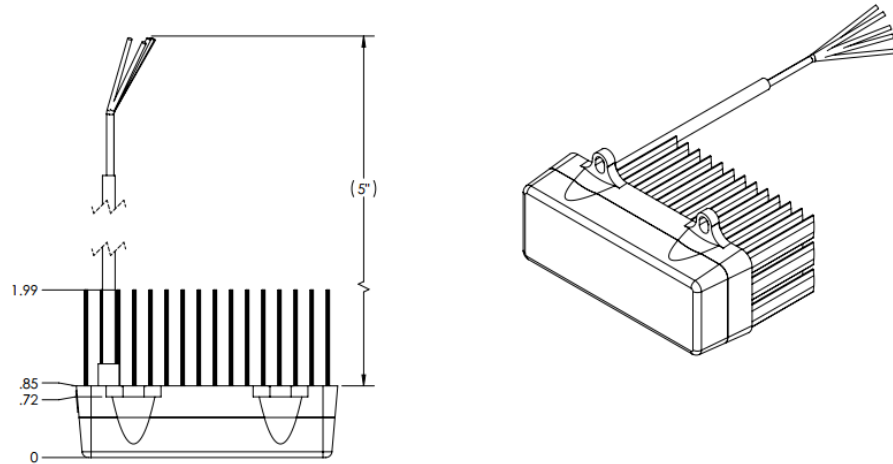




Product Datasheet

MicroSun Taxi/Recognition Light 01-1170



Voltage: 9-40VDC
 Current: 1.5 A at 14VDC
 Power: 21 Watts
 Pulse: Built In, optional unison
 mode with module

Length: 3.1"
 Width: 1.9"
 Depth: 2"
 Weight: 3.6 Oz

Wig Wag Sync: Built In

Heat Sink Material: Aluminum/Black
 Anodized

Thermal Protection: Built In
 Lumens: 2310
 Candela: 9,000
 Beam Angle: 30°x30°
 LED Count: 3

Lens Material: Polycarbonate
 Lens Protection: Optional Film
 Mounting: 4x #6
 MTBF: >30,000 Hours
 Temperature Range: -55C to +70C