

Trans-Cal Industries, Inc.

ADAPTER PLATE (TCI SSD120) Part Number 103038 Installation Instructions

Overview

Trans-Cal Industries Adapter Plate part number 103038 allows the avionics technician to quickly replace existing TCI altitude encoder model SSD120-(XX)A-(X) installations in favor of the latest model SSD120-(XX)N(X)-(X). This adapter simplifies the mechanical installation task by providing a mounting plate designed for the SSD120-(XX)N(X)-(X) while utilizing the existing SSD120-(XX)A-(X) mounting tray. The adapter plate is manufactured from .062" thick aluminum with a chem-film treatment to inhibit corrosion. The adapter is shipped with stainless steel fastening hardware to secure the digitizer to the plate.

Please note:

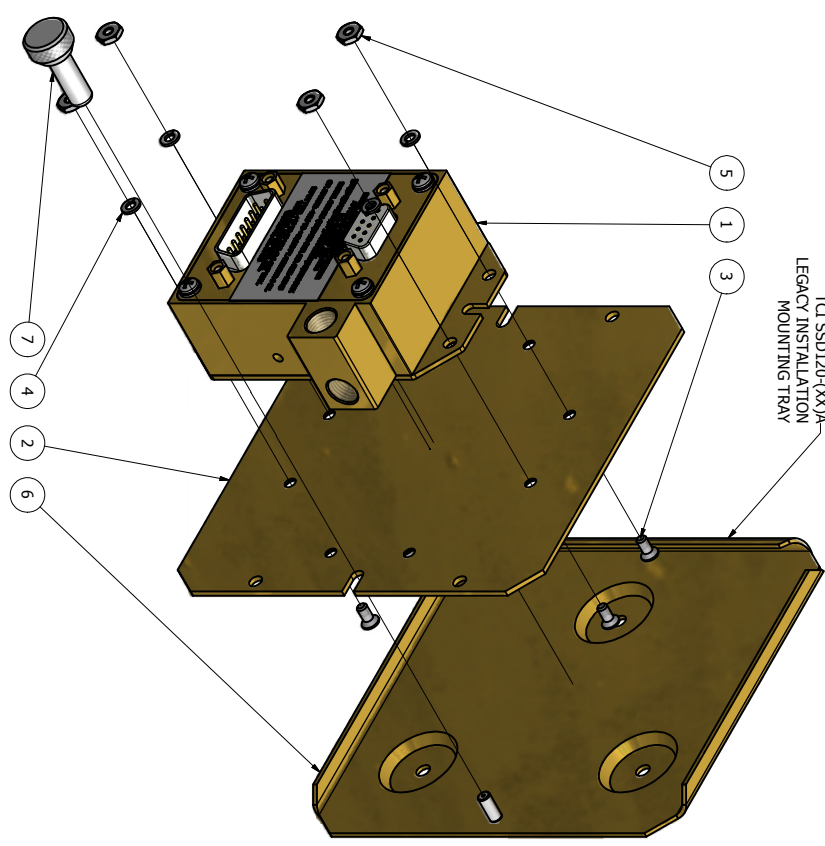
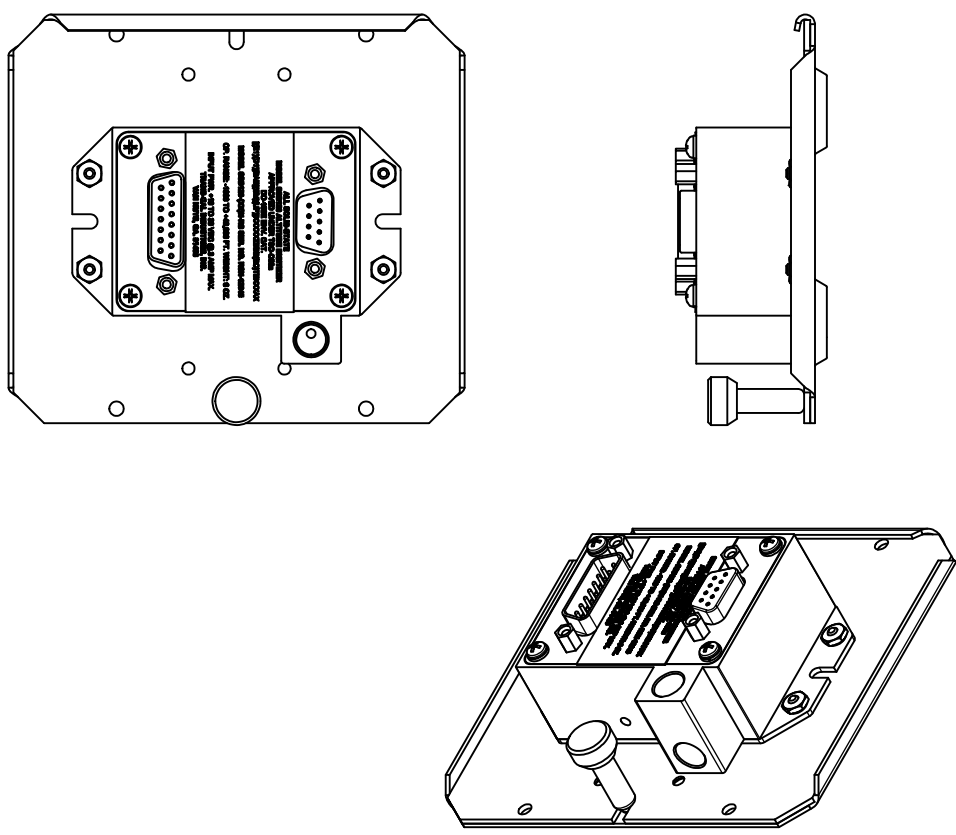
The SSD120-(XX)N(X)-(X) and this adapter plate are approved under TSO-C88a and ETSO-C88a. It is the responsibility of the installer of this equipment, within a specified type or class of aircraft, to determine that the aircraft operating conditions are within TSO or ETSO standards.

Assembly and Installation Instructions (Refer to TCI Drawing 103082)

1. Secure the altitude digitizer (item 1) to the adapter plate (item 2) using four flat head screws, lock washers and nuts (items 3, 4 and 5) as shown on drawing 103082.
2. Make all electrical/data and static line connections to the altitude digitizer (item 1) as per the digitizer installation instructions.
3. Place this assembly into the existing TCI mounting tray (item 6) and snug the retaining knob (item 7) to secure the unit to the tray.
4. Test and verify the altitude digitizer operation as per the altitude digitizer installation manual.

Trans-Cal Industries Inc.
16141 Cohasset St.
Van Nuys, CA 91406
www.trans-cal.com

REVISION HISTORY			
REV	DESCRIPTION	DATE	APPROVED
A	PRODUCTION APPROVAL	5/22/2008	J. Ferrero



ITEM	QTY	PART NUMBER	DESCRIPTION
1	1	SSD120-XXX)NKX-(X)	ALTTITUDE DIGITIZER
2	1	103038	ADAPTER PLATE TCI SSD120
3	4	600011-3	#4-40 X .375" FLAT HEAD SCREW
4	4	600006-4	#4 LOCK WASHER
5	4	600025-4	#4-40 HEX MACHINE SCREW NUT
6	1	881022	MOUNTING TRAY
7	1	881023-2	RETAINING KNOB

MTRL./FINISH		DRAWN	
		H. Smith	5/22/2008
		Checked	5/22/2008
		M. Remenih	5/22/2008
		QA	
		J. Ferrero	05/23/2008
		MFG	
		C. Herrera	5/22/2008
		APPROVED	
		J. Ferrero	5/22/2008

TOLERANCES, UNLESS OTHERWISE NOTED			
Decimale:	Angles ±1°φ		
XX±.010			
XXX±.005			

TITLE			
Adapter Plate (TCI SSD120) Installation Drawing			
Trans-Cal Industries, Inc.			
Van Nuys, CA 91406			
SCALE	DO NOT SCALE	DWG NO	REV
C	DRAWING	103082	A

THIRD ANGLE PROJECTION	

