

*Trans-Cal Industries, Inc.*  
*Model SSD120-(XX)C & SSD120-(XX)C-RS232*  
*Altitude Digitizer*

*The Smallest, Lightest and Lowest Power Consumption*  
*Altitude Digitizer on the Market!*

*The SSD120-(XX)C & SSD120-(XX)C-RS232 are designed to provide a rugged and reliable altitude digitizer for applications where size, weight and economy are critical. Incorporating one ICAO gray code port SSD120-(XX)C, and adding two RS232 serial altitude data outputs on the SSD120-(XX)C-RS232, these encoders are a simple and robust addition to any avionics installation requiring accurate pressure altitude information for multiple aircraft systems.*

**SSD120-(XX)C & SSD120-(XX)C-RS232 features:**

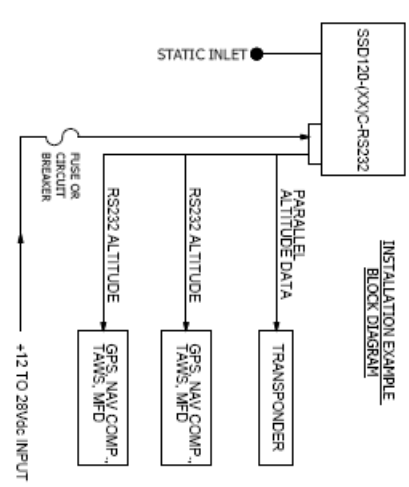
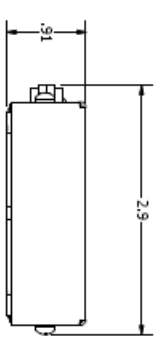
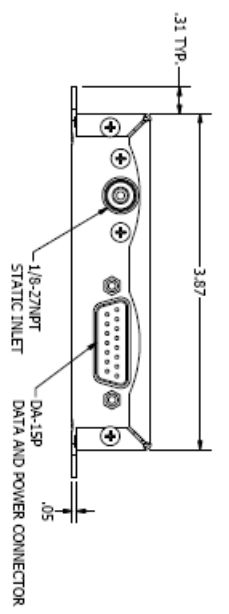
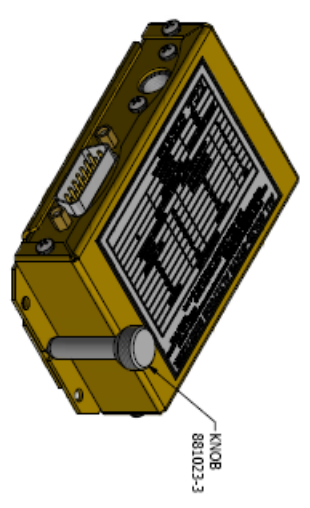
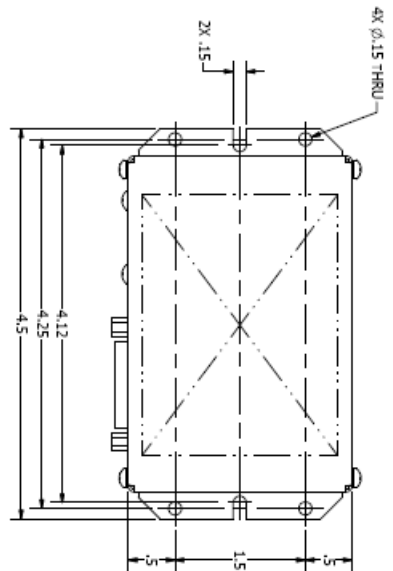
- *1/8-27NPT Static Port Inlet*
- *One ICAO pressure altitude gray code output*
- *Two RS232 serial altitude data outputs (SSD120-(XX)C-RS232 Only)*
- *Operating Temperature Range -20°C to +70°C*
- *Operating Voltage +10 to +33Vdc*
- *Operating Current +12Vdc @220mA / +28Vdc @270mA*
- *Operating Pressure Altitude Range -1000 to +30,000 and +35,000 feet*
- *FAA TSO-C88a and ETSO-C88a Approved*
- *Tested and conforming to MIL-STD-704E and RTCA DO-160E*
- *Power and data I/O lines provided on industry standard D-Subminiature Connector*
- *Weight 4.3 oz.*
- *42 Month Warranty*
- *Calculated MTBF in excess of 8 years!*
- *Installation Hardware Included:*
  - *Quick Release Mounting Tray*
  - *Mating Electrical Connector and Back Shell*
  - *1/8-27NPT to Tube Fitting and Plug*
  - *Installation Manual*



Trans-Cal Industries, Inc.  
16141 Cohasset Street  
Van Nuys, CA 91406

THIS DOCUMENT CONTAINS PROPRIETARY INFORMATION OF TRANS-CAL INDUSTRIES, INC. ANY REPRODUCTION, USE OR DISCLOSURE OF THIS DOCUMENT WITHOUT THE WRITTEN PERMISSION OF TRANS-CAL INDUSTRIES, INC. IS EXPRESSLY PROHIBITED.

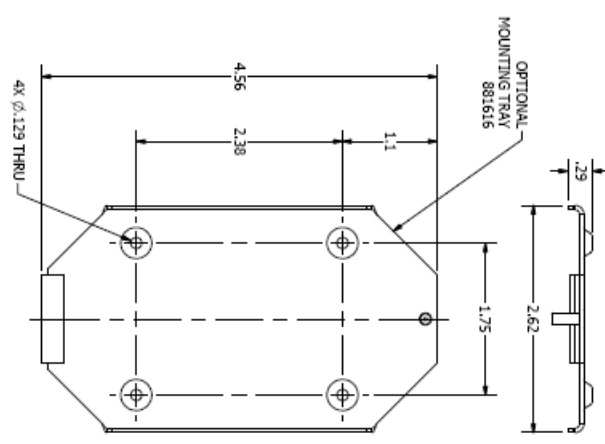
REVISION HISTORY			
ECO	REV	DESCRIPTION	DATE
N/C	A	PRODUCTION RELEASE	06/23/2016
			J. FERRERO



MODEL NUMBER (XX)C DESIGNATIONS	
MODEL NO.	OPERATING RANGE
SSD120-30C-RS232	-1000 TO +90,000 FT.
SSD120-35C-RS232	-1000 TO +35,000 FT.

DA-15P D-SUB CONNECTOR	
PIN	FUNCTION
1	D+
2	D-
3	A1
4	A2
5	A4
6	B1
7	B2
8	OUTPUT ENABLE
9	+14 TO 28VDC INPUT
10	B2
11	B4
12	C1
13	C4
14	C2
15	GROUND



1. APPROVED UNDER FAA TSO-C88A AND ETSO-C88A.

NOTES:

MTL / FINISH	MODEL SSDD120-(XX)C-RS232	TOP ASSY: 881618
TOLERANCES, UNLESS OTHERWISE NOTED:	Decimals: Angle ±1° Fractions: ±.010 Holes: ±.005 ±.005	
THIRD ANGLE PROJECTION		

DRAWN	H. Smith	3/16/2016
CHECKED	M. Remenh	3/16/2016
QA	J. Ferrero	3/17/2016
ING	C. Herraiz	3/16/2016
APPROVED	J. Ferrero	3/16/2016

**Trans-Cal Industries, Inc.**  
Van Nuys, CA 91406

**OUTLINE DRAWING SSDD120-(XX)C-RS232**

SIZE: DO NOT SCALE  
DRAWING: SSDD120-(XX)C-RS232  
SCALE: 1:1  
UNITS: INCH

REV: A  
SHEET 1 OF 1