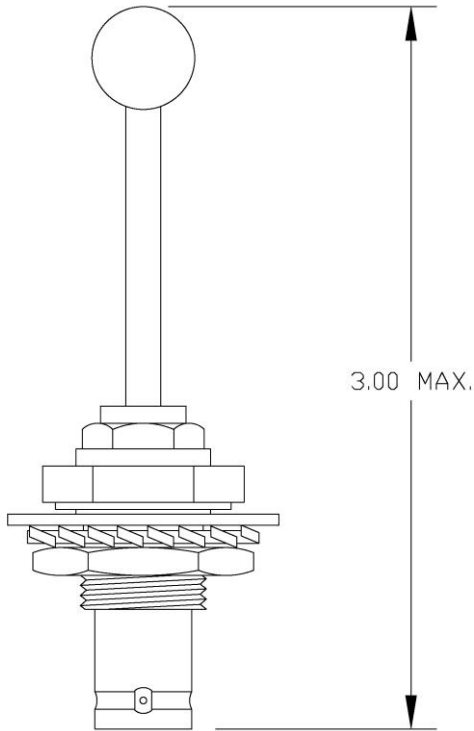


AV-11

LOUD AND CLEAR

PRODUCT DESCRIPTION

Part Number AV-11



The AV-11 is a non-certified transponder antenna for experimental aircraft, similar to the TED 104-12 antenna. This rod style transponder antenna utilizes a BNC connector and requires a smaller mounting hole. The antenna is designed to operate at speeds up to 350 mph and altitudes up to 50,000 feet. It has a drag force of 0.41 lbs. @ 250 mph.

PRODUCT SPECIFICATIONS

Application	Transponder
Frequency	1030-1090 MHz
Impedance	50 Ohms Nominal
VSWR	1.3:1 Maximum
Polarization	Vertical
Pattern	Omni-Directional
Connector	"BNC" Female
RF Power Handling	1 KW Peak Pulse @ 1% Duty Cycle
Max. Weight	1 oz