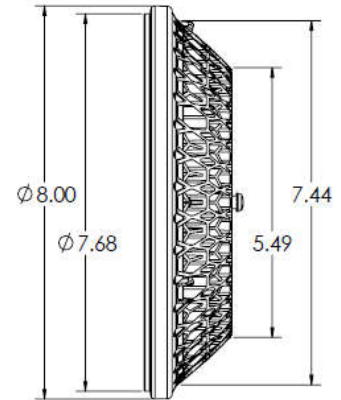
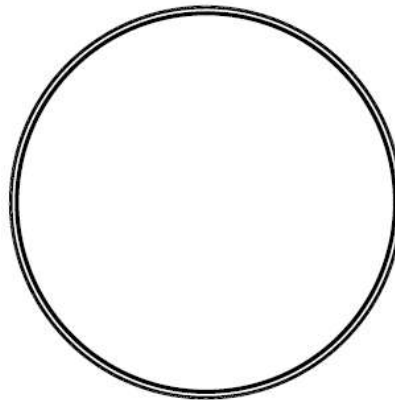
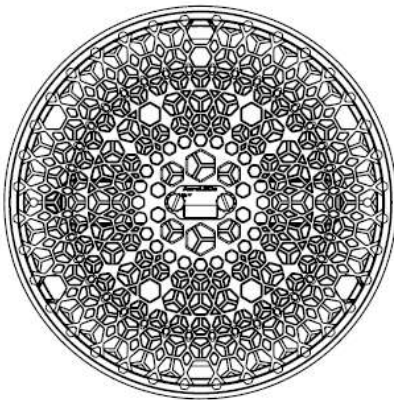
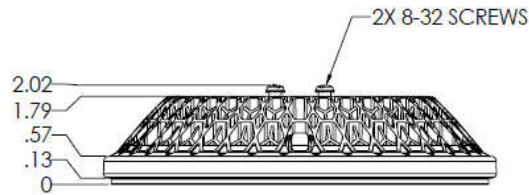




Product Datasheet

SunSpot 64-4559 Landing Light

01-2250-4559



Voltage:	28V AC/DC	Length:	8.0"
Current:	7.2A at 28VDC	Width:	8.0"
Power:	200 Watts	Depth:	2.0"
Pulse/WigWag:	N/A	Weight:	48 Oz
Synchronization:	N/A	Heat Sink Material:	Aluminum/Black Powder Coat
Thermal Protection:	Built In	Lens Material:	Polycarbonate
Lumens:	22,000 lm	Lens Protection:	Optional Film
Candela:	420,000 cd	Mounting:	PAR 64 Ring Clamp
Beam Profile (@ 10% peak):	Vertical: 20°	MTBF	>30,000 Hours
	Horizontal: 20°	Temperature Range:	-55C to +70C