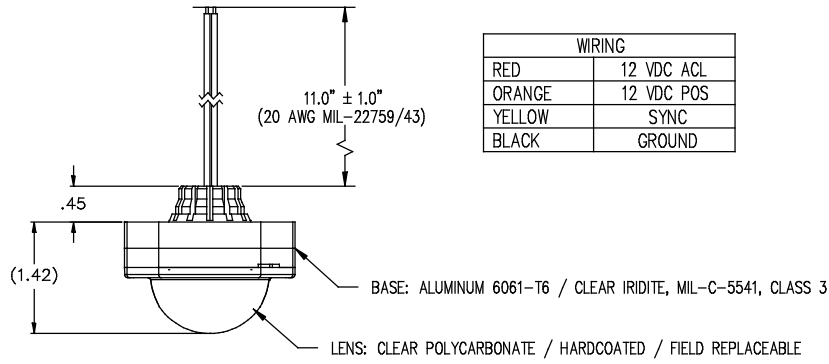
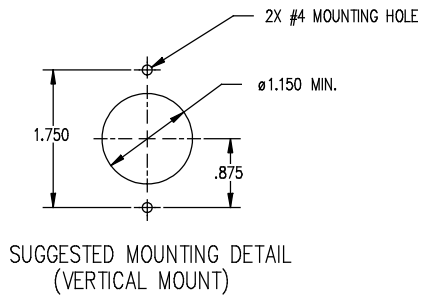
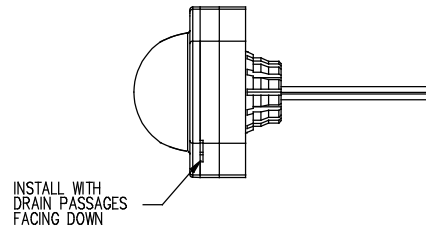
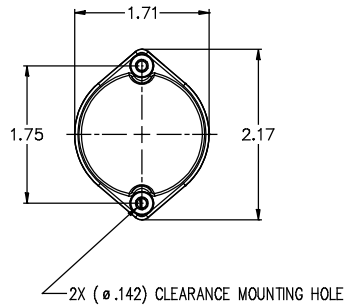
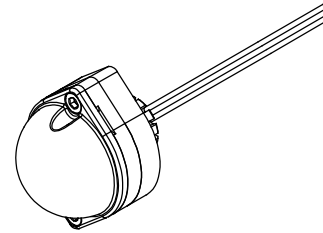


REV	ECN	DESCRIPTION	DATE
-----	-----	-------------	------




WIRING	
RED	12 VDC ACL
ORANGE	12 VDC POS
YELLOW	SYNC
BLACK	GROUND



NOTES:

- SPECIFICATIONS:
OPERATING VOLTAGE: 12 VDC (NOMINAL)
OPERATING CURRENT:
POS: .2 AMPS
ACL: 3.8 AMPS, PULSE AT 250 ms
FLASH RATE: 45 ± 5 FPM
WEIGHT: .20 LBS (REF.)
- LIGHT SOURCE:
ANTI-COLLISION: LED, WHITE
- UNIT COMPLIES WITH THE COLOR REQUIREMENTS OF FAR 25.1397(c) FOR AVIATION WHITE, FROM 10 TO 14 VDC
- UNIT DESIGN TO MEET THE DO-160 TEST CATEGORIES AS DEFINED IN THE ENVIRONMENTAL QUALIFICATION FORM 06477
- TSO-C30c TYPE III
TSO-C96a CLASS II & III
- TEST PER ATP 06494

1	1	01-0272083-00	FINAL ASSY, ORION 550, MODEL OR5501V (12VDC)
*	*	01-0772070V01	ORION 550 TAIL LIGHT, MODEL OR5501V (12VDC)
ITEM	ITEM	PART NUMBER	DESCRIPTION
<small>THIS DRAWING IS PROPRIETARY TO WHELEN AEROSPACE TECHNOLOGIES. ANY REPRODUCTION, DISCLOSURE, OR USE OF THIS DRAWING WITHOUT WRITTEN AUTHORIZATION FROM WHELEN AEROSPACE TECHNOLOGIES IS PROHIBITED.</small>			
MATERIAL		 <small>WHELEN AEROSPACE TECHNOLOGIES 51 WINTHROP ROAD CHESTER, CT 06413-0884 TELEPHONE: (860)526-9504</small>	
FINISH		ORION-550 TAIL LIGHT (12 VDC)	
TOLERANCE: UNLESS OTHERWISE SPECIFIED		DR. DYE	SCALE
.XX= ±.030 .XXX= ±.010		CH. EEC	DATE
ANGLES = 1/2°		ENG. DYE	10/23/20
© 2020 WHELEN AEROSPACE TECHNOLOGIES CAGE CODE 10402		APP. KCT	RELEASE DATE
		DWG NO.	1/13/21
		REV	
		ISSUE	
		SHEET	1
		OF	1