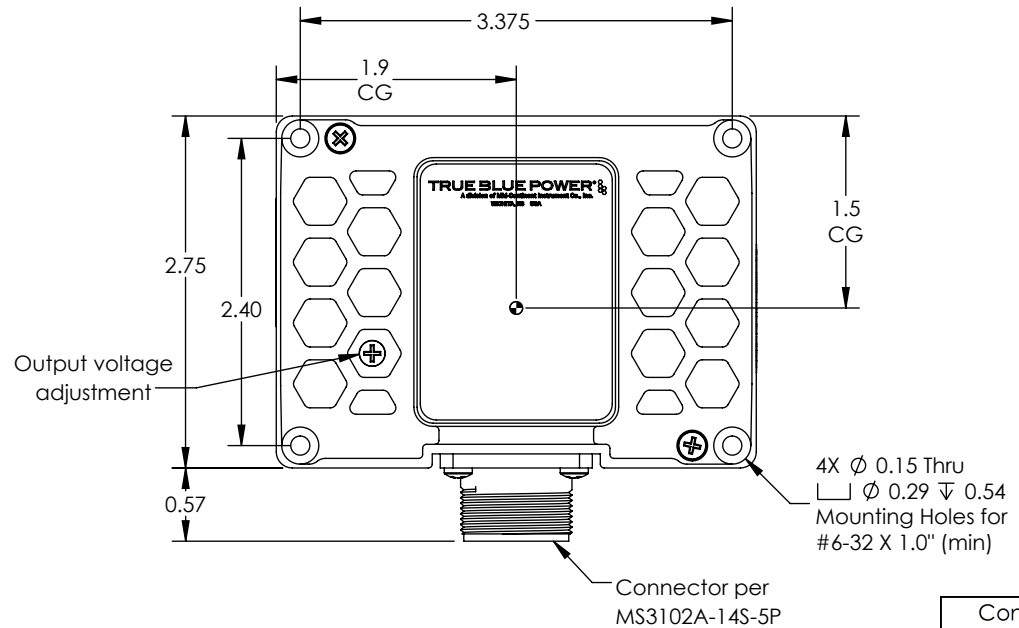
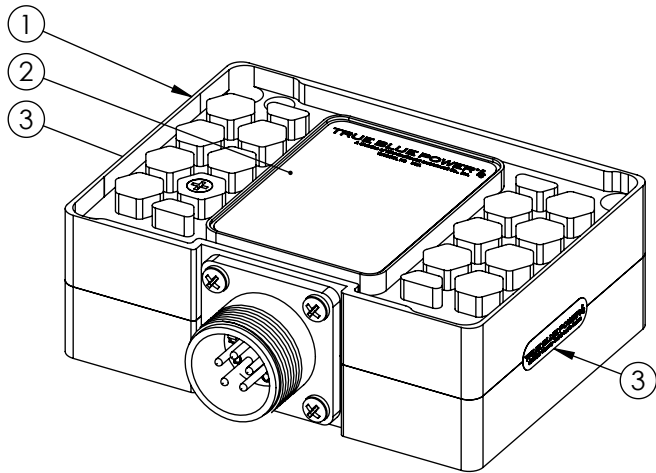


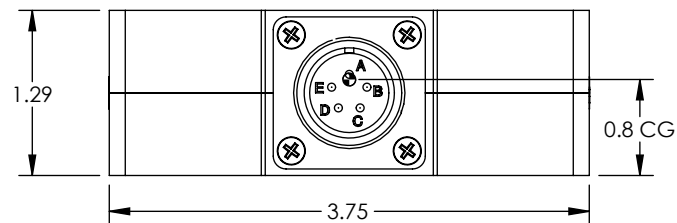
| Configuration | | |
|---------------|---------------|-------------|
| Dash # | Remote On/Off | Assy, TC120 |
| -1 | No | 9018490-1 |
| -2 | Yes | 9018490-2 |
| -3 | No | 9018490-5 |

| Revision | | | | |
|----------|------|--|----------|----------|
| ECO | Rev. | Description | Date | Approved |
| | | See obsolete drawing for revision history. | | |
| 7292 | F | Added -3 configuration, updated qual and weight. | 10/21/20 | MEK/SCH |
| 7300 | G | Updated power input. | 11/02/20 | VAA/SCH |
| 7497 | H | Added CG dimensions. Power output was 5-18 VDC. | 06/08/22 | VAA/MKN |



| Connector Pinout | |
|------------------|---------------|
| A | DC Input |
| B | DC Return |
| C | VDC Output |
| D | DC Return |
| E | Remote ON/OFF |

| Specifications | |
|--|--|
| Model Number | TC120 |
| Power Input | 24-32 VDC 5 Amps nominal @ 28VDC; 8 Amps max |
| Power Output | 5-24 VDC (adjustable) 120 watts rated power 9 Amps @ 14V nominal |
| Efficiency | 95% |
| Features | Short-circuit protection; reverse polarity protection; over-voltage protection |
| Qualification (See Installation Manual for details) | FAA TSO-C71, RTCA DO-160G, -3 only: Additional Mil-Std qualifications |
| Temperature | -55°C to +70°C |
| Mating Connector | MS3106A14S-5S or equivalent |
| Case | Machined aluminum, blue anodized |
| Weight | 11.0 oz (312g) |
| Install Manual | P/N 9018558 |



| Item | Qty | Part Number | Description |
|------|-----|-------------|----------------------------|
| 1 | 1 | See Config | Assy, TC120 |
| 2 | 1 | 9018491 | Nameplate, DC/DC Converter |
| 3 | 2 | 6018956-1 | Decal, Warranty, TBP |

UNLESS OTHERWISE SPECIFIED, ALL DIMENSIONS ARE IN INCHES.
TOLERANCE:
FRACTIONAL=±1/64
.XX=±0.015
.XXX=±0.005
.XXXX=±0.002
ANGULAR=±0.5°
WEIGHT: N.T.E.+5%
BREAK ALL SHARP EDGES
THREADS PER MIL-S-7742

DRAWN:
VAA
11/11/2015

APPROVED:
BAW
02/02/2016

This document discloses proprietary information of Mid-Continent Instrument Co., Inc. It may be reproduced or disclosed only with written permission of Mid-Continent Instrument Co. and is not to be used in any way detrimental to the interests of Mid-Continent Instrument Co., Inc.

TRUE BLUE POWER
A Division of Mid-Continent Instrument Co., Inc.

| | |
|---|--------------------------------|
| TITLE: Converter, DC/DC, 120W | PART NUMBER: 6430120 |
| SCALE: 2:3 | DO NOT SCALE THIS DRAWING |
| SHEET: 1 of 1 | |