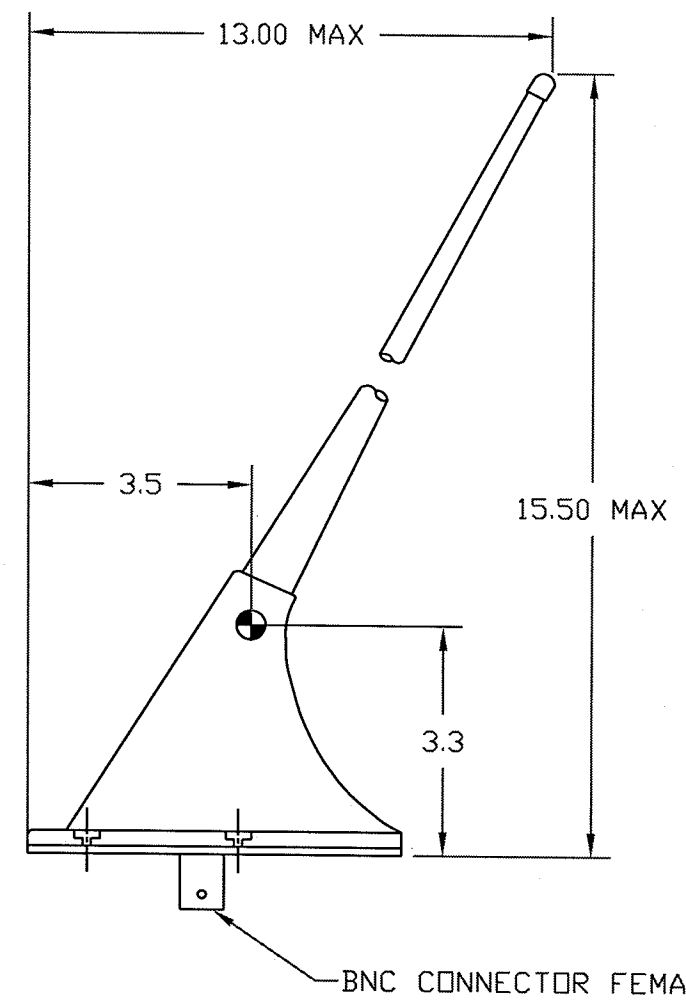
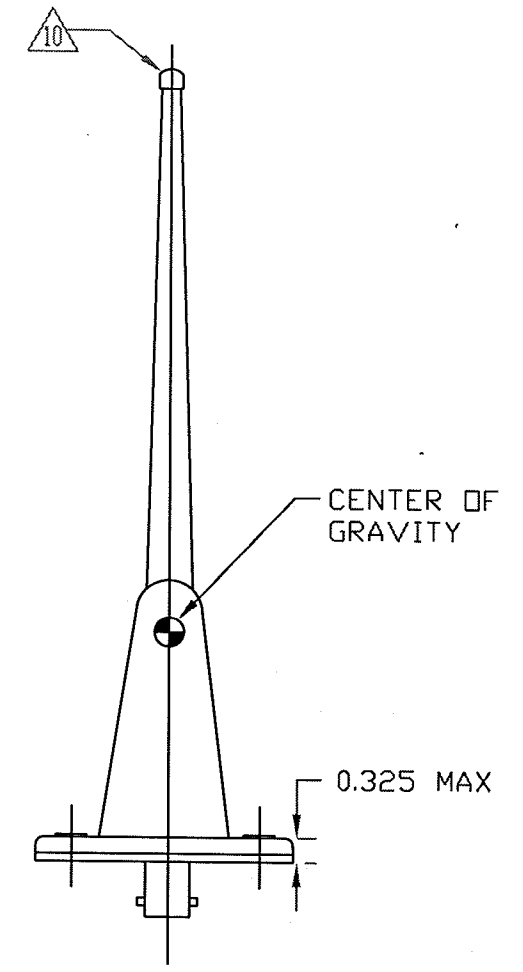


DATE	SYM	REVISION RECORD	AUTH	DR	CK
04-02-03	A	DCN 2176	DQ	DF	RJ
11-20-03	A	DCN 2329	DQ	RJ	CL
03-07-05	A	DCN 2551	<i>LD</i>	<i>RA</i>	<i>DE</i>



SIDE VIEW



FRONT VIEW

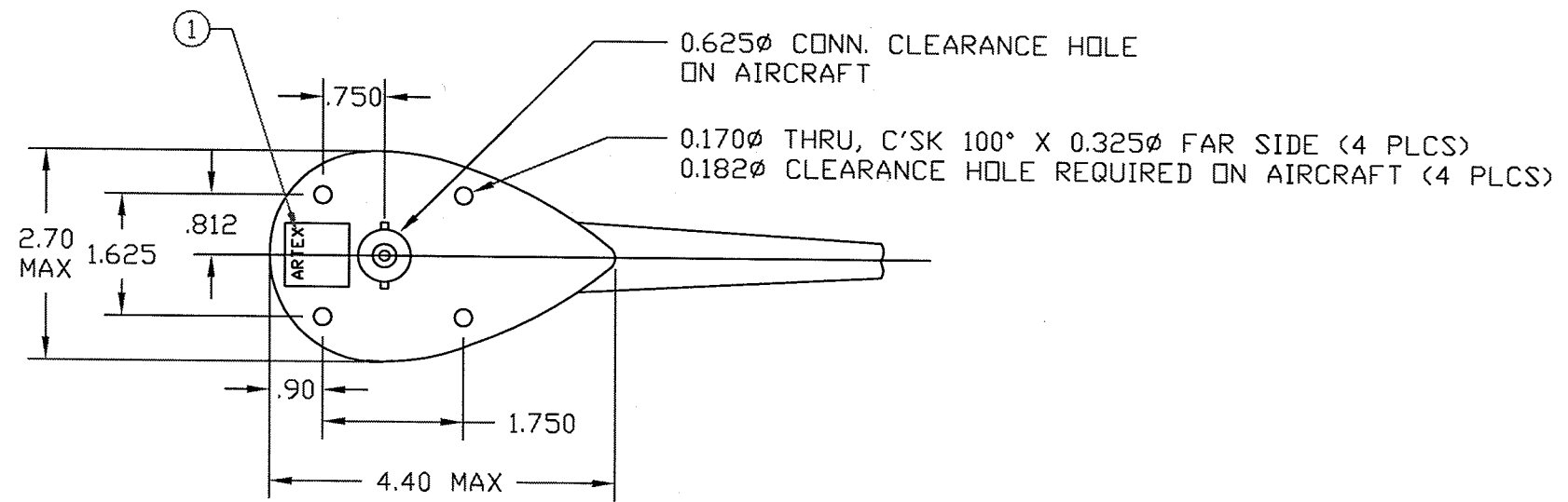
NOTES:

- WEIGHT: .45 LBS.
- FINISH: WHITE POLYURETHANE PAINT OVER INTUMESCENT BASE COAT.
- RF CHARACTERISTICS:

3.1 FREQUENCY	121.5, 243, AND 406MHZ
3.2 VSWR	2.0:1 MAX FOR 121.5/243MHZ 1.5:1 MAX FOR 406 MHZ
3.3 POLARIZATION	VERTICAL
3.4 POWER RATING	25 WATTS
3.5 RADIATION PATTERN	OMNIDIRECTIONAL
3.6 IMPEDANCE	50 OHMS NOMINAL
- MATING CONNECTOR: BNC(F)
- MAXIMUM AIR SPEED: 350 KNOTS TAS.
- DRAG: 2.9 LBS MAX @350 KNOTS, 25,000 FT.
- DESIGNED TO MEET TSO C126.
- MOUNTING SURFACE, CONNECTOR AND MOUNTING HOLES ARE FREE OF PAINT.
- RECESSED FOAM HOLES FILLED WITH B-LAM SEALING FLUSH WITH THE BASE OF THE ANTENNA.
- VINYL TIP AFFIXED WITH ADHESIVE.
- APPLY LABEL (ITEM 1) AS SHOWN.

INSTALLATION NOTES:

- MOUNT ANTENNA USING #8-32 SS 100° CSK MACHINE SCREWS AND ASSOCIATED HARDWARE AND TORQUE TO 20 IN/LBS.
- PROVIDE A .625 (5/8") DIAMETER HOLE FOR THE BNC CONNECTOR.
- A LAYER OF ANTI-CORROSION BONDING GREASE SHOULD BE APPLIED BETWEEN THE AIRCRAFT AND THE BASE OF THE ANTENNA.
- GASKET IS NOT SUPPLIED AND USE IS OPTIONAL. CONTACT ARTEX AND REQUEST PART #280-0320 IF ONE IS DESIRED.



BOTTOM VIEW

ITEM	PART NO.	REV	DESCRIPTION	QTY
2	870-1317	A	ANTENNA, TRI-BAND ROD (CI317-1)	1
1	591-1317	-	LABEL, ANTENNA TRI-BAND ROD (SINGLE INPUT)	1

ARTEX AIRCRAFT SUPPLIES, INC.
14405 KEIL ROAD NE, AURORA, OR. 97002

SCALE: NONE	APPROVED BY: <i>[Signature]</i>	REVISED BY: RB
DRG. DR. BY: TB		REV. DATE: 03-07-05
DRG. DATE: 04-18-01		

ANT, TRI-BND CI317-1 (SGL INPT)

SIZE B	SHEET 1 OF 1	DRAWING NUMBER: 110-338	REV. A
---------------	--------------	-------------------------	--------

TOLERANCE TABLE	
UNLESS OTHERWISE SPECIFIED	.XX ±.03
TOLERANCES ARE:	.XXX ±.010
	.XXXX ±.0050
	XX" ±1"
UNLESS OTHERWISE SPECIFIED DIMENSIONS ARE IN INCHES & PER ASME Y14.5M	

REVISION HISTORY ON SHEET 1

PROPRIETARY INFORMATION
THIS DOCUMENT DISCLOSES SUBJECT MATTER IN WHICH ARTEX AIRCRAFT SUPPLIES, INC. HAS PROPRIETARY RIGHTS. NEITHER RECEIPT NOR POSSESSION THEREOF CONFERS OR TRANSFERS ANY RIGHT TO REPRODUCE OR DISCLOSE THE DOCUMENT, OR ANY PART THEREOF, ANY INFORMATION THEREIN, OR ANY PHYSICAL ARTICLE OR DEVICE, OR PRACTICE ANY METHOD OR PROCESS EXCEPT BY WRITTEN PERMISSION FROM OR WRITTEN AGREEMENT WITH ARTEX AIRCRAFT SUPPLIES, INC.