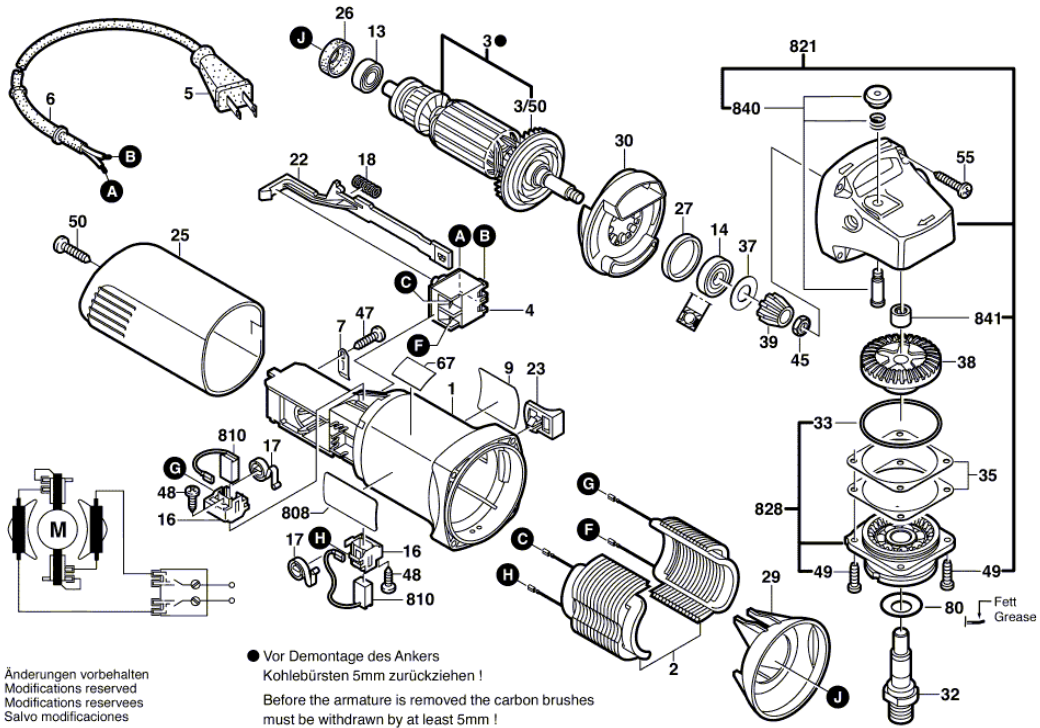




0 601 375 039
Stand } 03-07
Issue } 03-08-05

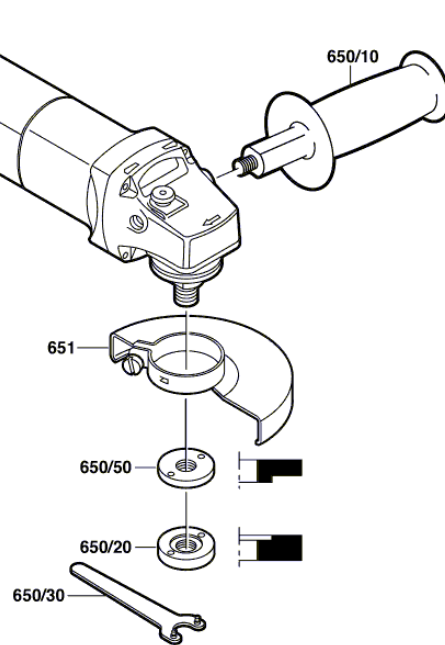
Fig./Abb. 1

Gerad - Verzahnung



Item	Quantity	Order No.	Designation	Price group	Page
1	1	1 605 108 174	MOTOR HOUSING \ BLUE	27	1
2	1	1 604 220 330	FIELD \ 110-115V	31	1
3	1	1 604 010 628	ARMATURE \ 110-115V	37	1
3/50	1	1 606 610 141	FAN	22	1
4	1	1 607 200 179	ON-OFF SWITCH	24	1
5	1	2 604 460 122	MAINS CONNECTION CABLE \ USA/CDN 2,15m 2 x 082mm SJ 18/2		1
6	1	2 600 703 013	GROMMET \ Ø 7,6-Ø 8,2x95 MM	12	1
7	1	1 601 302 017	FASTENING CLAMP	11	1
9	1	1 619 P00 490	MANUFACTURER'S NAMEPLATE		1
13	1	2 600 905 032	DEEP-GROOVE BALL BEARING \ 7x19x6MM	23	1
14	1	2 609 110 094	DEEP-GROOVE BALL BEARING	16	1
16	2	1 604 336 035	BRUSH HOLDER	15	1
17	2	1 604 652 013	SPIRAL SPRING		1
18	1	1 604 611 031	COMPRESSION SPRING	13	1
22	1	1 602 319 009	ADJUSTING SLIDE	13	1
23	1	2 609 100 017	SWITCH BUTTON		1
25	1	1 605 500 194	HOUSING COVER \ BLUE	21	1
26	1	1 600 502 024	INTERMEDIATE RING	11	1
27	1	1 600 206 025	INTERMEDIATE RING	11	1
29	1	1 600 591 023	AIR-DEFLECTOR RING	13	1
30	1	1 600 591 024	AIR-DEFLECTOR RING	16	1
32	1	1 603 523 122	GRINDING SPINDLE \ 5/8"	33	1
33	1	1 600 210 041	O-RING \ 42x1 MM	13	1
35	1	1 600 136 016	\ 0,10 MM \ THICK	13	1
35	1	1 600 136 017	\ 0,20 MM \ THICK	13	1
37	1	1 600 100 033	COVER DISC	13	1
38	1	2 609 110 150	CROWN GEAR	22	1
39	1	2 609 110 149	BEVEL GEAR	19	1

45	1	2 915 011 007	HEXAGON NUT \ DIN 934-M6-8-A	10	1
47	1	2 609 110 052	SPECIAL SCREW	11	1
48	2	1 619 P00 220	TORX OVAL-HEAD SCREW	10	1
49	4	1 603 435 068	THREAD-FORMING TAP. SCREW	11	1
50	1	2 910 611 020	SELF-TAPPING SCREW \ DIN 7981-ST3,9x19-C-H	11	1
55	4	2 910 611 022	SELF-TAPPING SCREW \ DIN7981-ST3,9x25-C-H		1
67	1	1 601 110 358	REFERENCE PLATE \ CAUTION	11	1
80	1	3 600 150 021	SEALING WASHER	13	1
650/10	1	1 602 025 027	AUXILIARY HANDLE \ M10	19	2
650/20	1	3 603 340 501	ROUND NUT \ 5/8"-FL+B		2
650/30	1	1 607 950 060	PIN-TYPE FACE-WRENCH		2
650/50	1	3 603 340 503	ROUND NUT \ 5/8"		2
651	1	1 605 510 249	PROTECTIVE COVER \ Ø 115 MM		2
808	1	1 619 P00 641	NAMEPLATE		1
810	1	1 607 014 144	CARBON-BRUSH SET	22	1
821	1	1 605 806 466	GEAR HOUSING	31	1
828	1	1 605 805 090	BEARING FLANGE \ BLACK	29	1
840	1	1 607 000 298	PUSH-BUTTON \ BLACK	16	1
841	1	1 600 910 018	NEEDLE BUSHING \ Ø8xØ12x8 MM	14	1



Änderungen vorbehalten
Modifications reserved
Modificaciones reserves
Salvo modificaciones

