



SERVICE PARTS LIST

BULLETIN NO.
54-47-0435

SPECIFY CATALOG NO. AND SERIAL NO. WHEN ORDERING PARTS		REVISED BULLETIN	DATE
M12™ FUEL 3/8" LONG REACH RATCHET			Nov. 2022
CATALOG NO.	2569-20	SERIAL NUMBER	N28A
			WIRING INSTRUCTION See Pages 2 and 3

EXAMPLE:
Component Parts
(Small #) Are Included
When Ordering Assy.
(Large #).

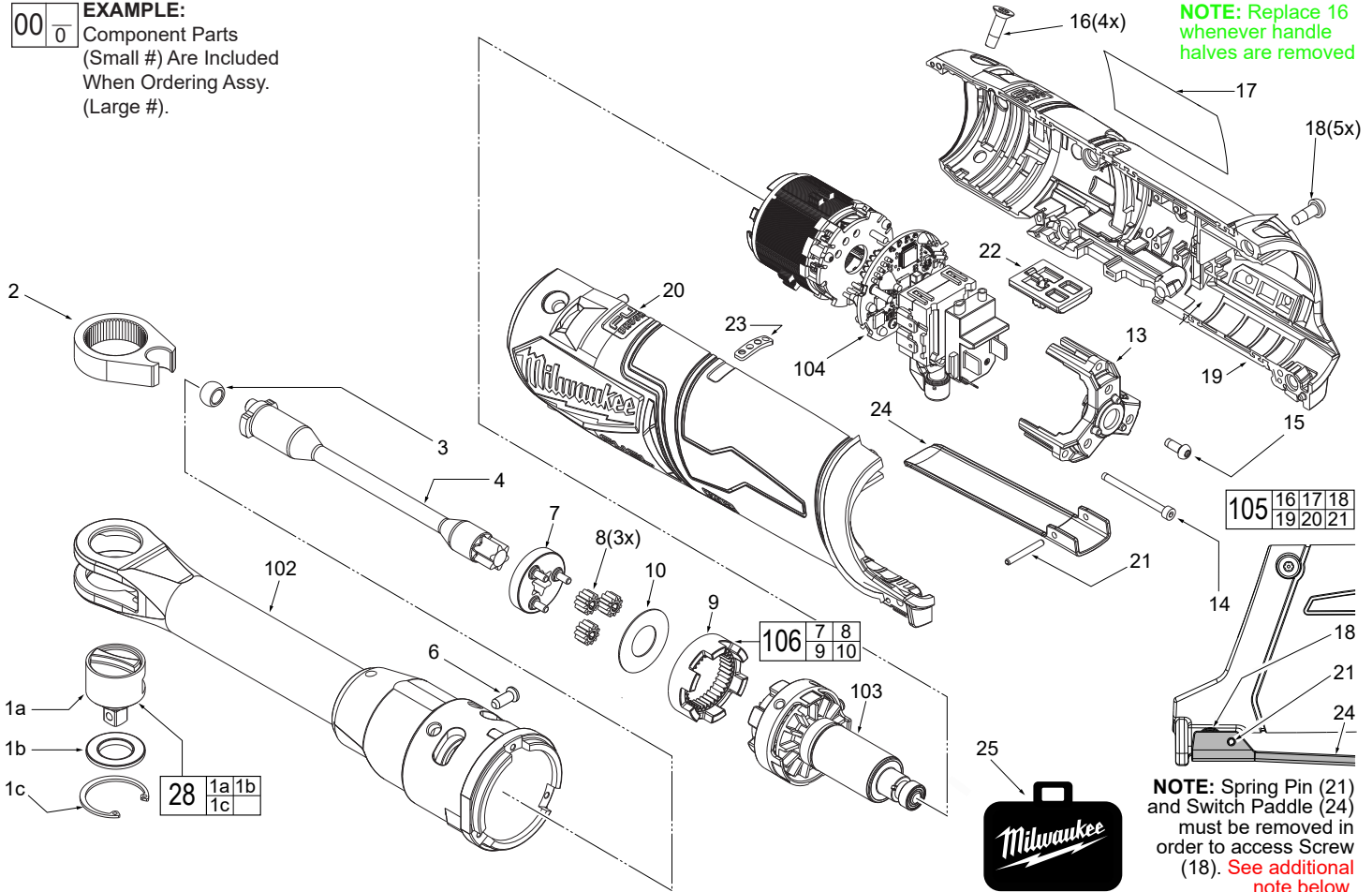


FIG.	PART NO.	DESCRIPTION OF PART	NO. REQ.
1a	-----	3/8" Anvil	(1)
1b	-----	Friction Plate	(1)
1c	-----	Retaining Ring	(1)
2	45-98-0020	Yoke (for 3/8" ratchet)	(1)
3	42-40-0017	Bushing (for 3/8" ratchet)	(1)
4	36-17-0015	Crank Shaft (for 3/8" ratchet)	(1)
6	44-60-0890	Drive Pin	(1)
7	28-23-1010	Carrier	(1)
8	32-62-0085	Planet Gear (for 3/8" ratchet)	(3)
9	32-64-0130	Ring Gear (for 3/8" ratchet)	(1)
10	05-90-0230	Washer	(1)
13	44-66-1006	Motor Plate	(1)
14	05-84-0205	M2.5 Screw	(3)
15	06-82-2310	M3 x 8mm Pan Hd. T-10 Screw	(1)
16	05-81-0594	M4 Flat Hd. T-20 Screw	(4)
17	12-20-0461	Service Nameplate	(1)
18	05-71-0017	M4 x 10mm Pan Hd. T-20 Screw	(5)
19	-----	Housing Cover - Right Housing Half	(1)
20	-----	Housing Support - Left Housing Half	(1)
21	44-60-0575	Rivet Pin	(1)
22	42-42-0119	Switch Lock-Out	(1)
23	10-20-7228	Fuel Gauge Label	(1)
24	44-10-0740	Switch Paddle	(1)
25	42-55-2559	Zippered Tool Case	(1)
26	49-16-2569	Rubber Boot (Optional, Acc) (Not Shown)	(1)
28	42-06-0147	3/8" Anvil Service Kit	(1)
102	14-30-0445	3/8" Yoke / Beam / Gearcase Service Assy	(1)
103	16-01-2560	Rotor Service Assembly (for 3/8" ratchet)	(1)
104	14-20-2561	Electronics Service Assembly	(1)
105	14-38-0505	Housing Service Kit	(1)
106	28-23-2500	Gear Set Service Kit	(1)

FIG. 17,19 NOTES
Prior to installing a new service nameplate, apply isopropyl alcohol to the handle cover with a clean, lint free applicator and allowed to dry.

21 Use a thin blunt punch with the same OD or a similar tool like a finishing nail with the same OD and the pointed tip ground down to remove spring pin from the handle halves and switch paddle. **As an aid, be sure to prop up that corner end of ratchet to support the tapping out of the spring pin.** When reinstalling pin, align the holes and carefully press or tap the pin in place.

NOTE:

Wires of the electronics assembly (104) are routed in traps and cavities in the right handle half (19).

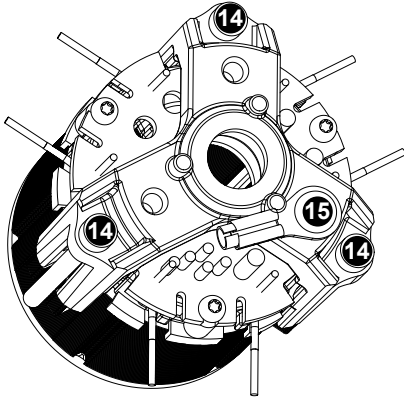
To replace the Electronics Assembly (104):

Remove five T-10 handle screws (18) from right handle half (19) and two T-10 handle/gear case screws (16) from right handle half.

Gently turn tool over and remove two T-10 handle/gear case screws (16) from left handle half.

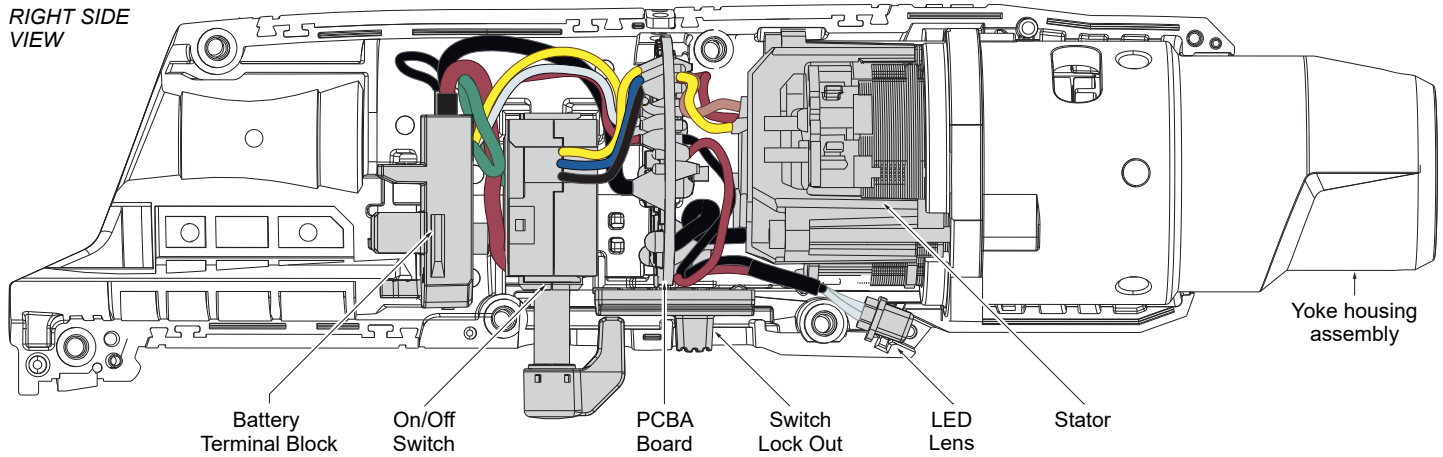
Carefully remove the left handle half to expose the electronics assembly.

Use a hex key to remove the three socket head screws (14) and slide stator/rotor/motor mount plate out of yoke housing assembly (31).

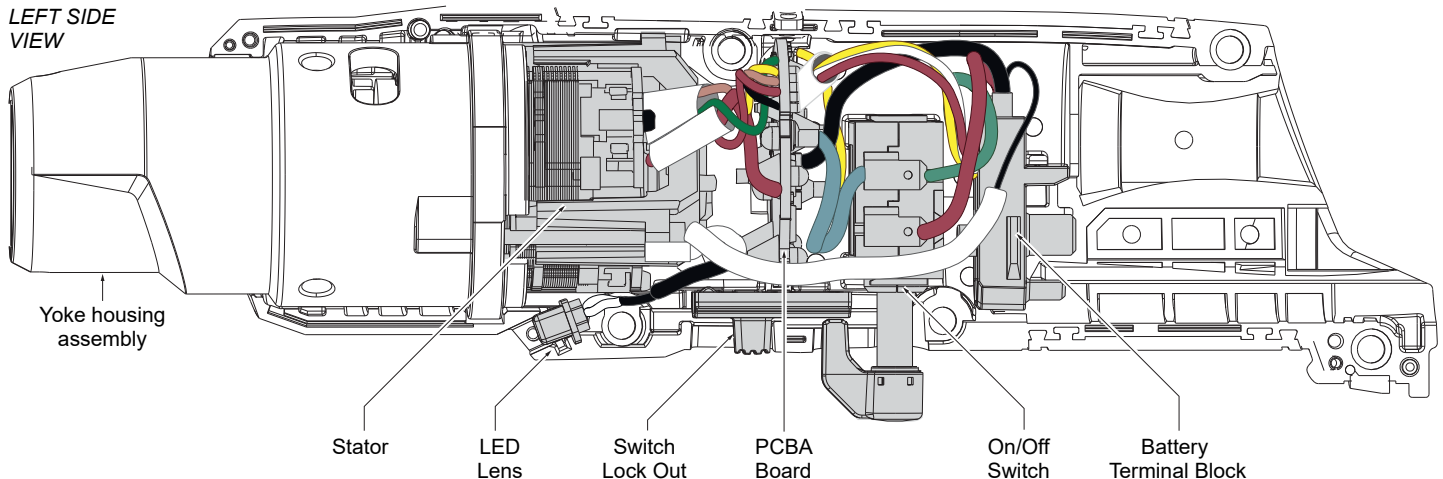


SCREW TORQUE SPECIFICATIONS			SEAT TORQUE	
			(kgf-cm)	(lb-in)
FIG. 14	05-84-0205	Motor Plate	5-7	4-6
15	06-82-2310	Electronics Assy.	12-14	10-12
16	-----	Housing Halves	17-21	15-18
18	-----	Housing Halves	10-12	9-10

RIGHT SIDE VIEW



LEFT SIDE VIEW



SEE NEXT PAGE FOR SERVICE INSTRUCTIONS TO AID WITH THE REMOVAL AND INSTALLATION OF ELECTRONICS ASSEMBLY (104).

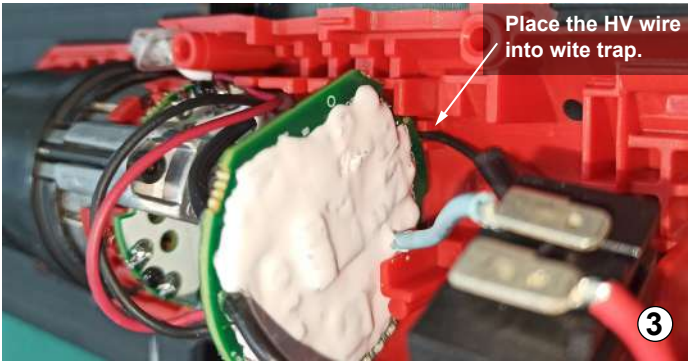
Place electronics assembly into housing support. Install LED lens as shown.



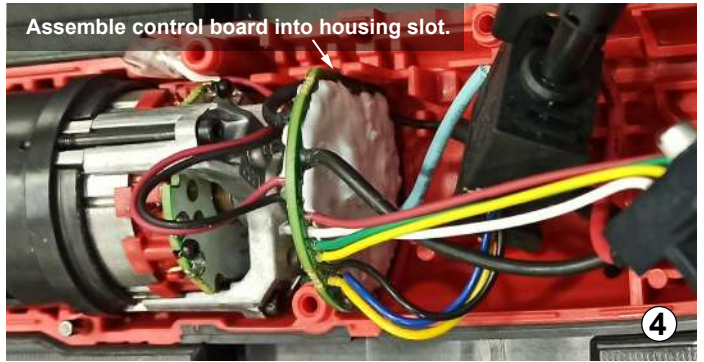
Install yoke assembly onto housing support/electronics assembly.



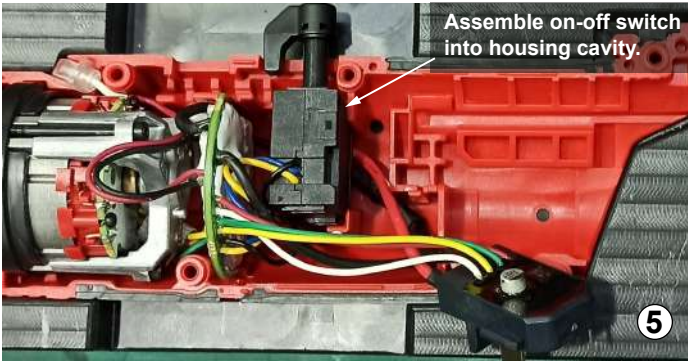
Place the HV wire into wire trap.



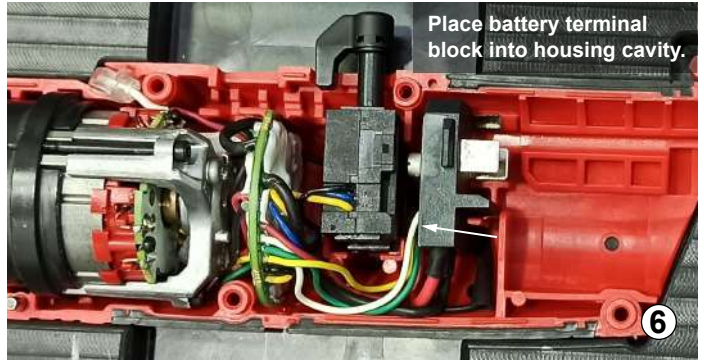
Assemble control board into housing slot.



Assemble on-off switch into housing cavity.



Place battery terminal block into housing cavity.

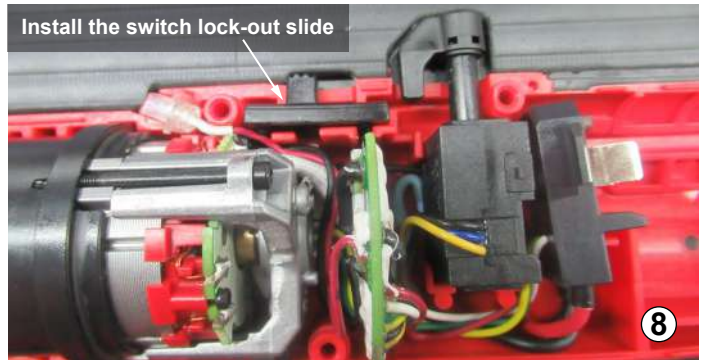


Push all wires down into housing cavities as shown.

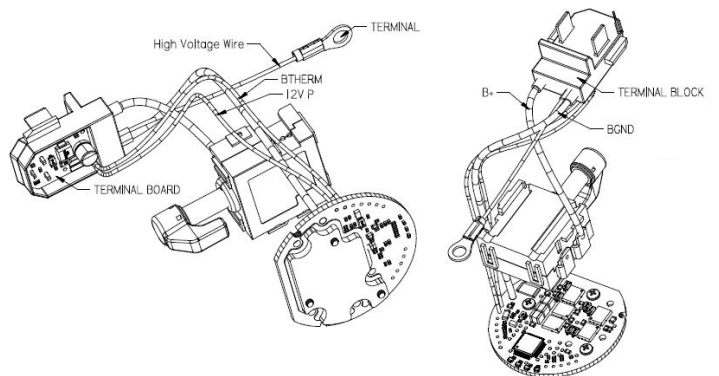
Be sure that all components are firmly and squarely in place.



Install the switch lock-out slide



PRIOR TO INSTALLING THE HOUSING COVER ONTO THE HOUSING SUPPORT, BE SURE THAT THERE ARE NO INTERFERENCES.



LUBRICATION INSTRUCTIONS

- DECH 5166 Grease, No. 49-08-0018 (26-oz., 0.8kg plastic tub)
- DECH 5157 Grease, No. 49-08-0016 (26-oz., 0.8kg plastic tub)

NOTE

When servicing, remove 90-95% of the existing grease prior to installing grease. Clean gear assemblies with a clean, dry cloth.

Apply a liberal amount of grease to all areas indicated. Be sure all teeth of gears, inside diameter gear teeth of the ring gear and the teeth of the motor pinion are completely coated. Internal components of the anvil assemblies should come from the factory pre-lubricated.

