



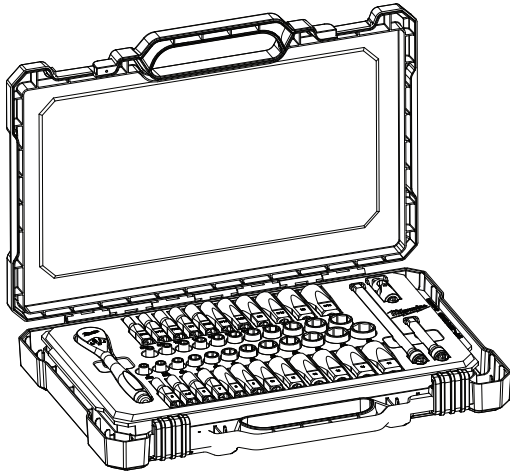
# SERVICE PARTS LIST

**BULLETIN NO.**  
**54-49-9007**

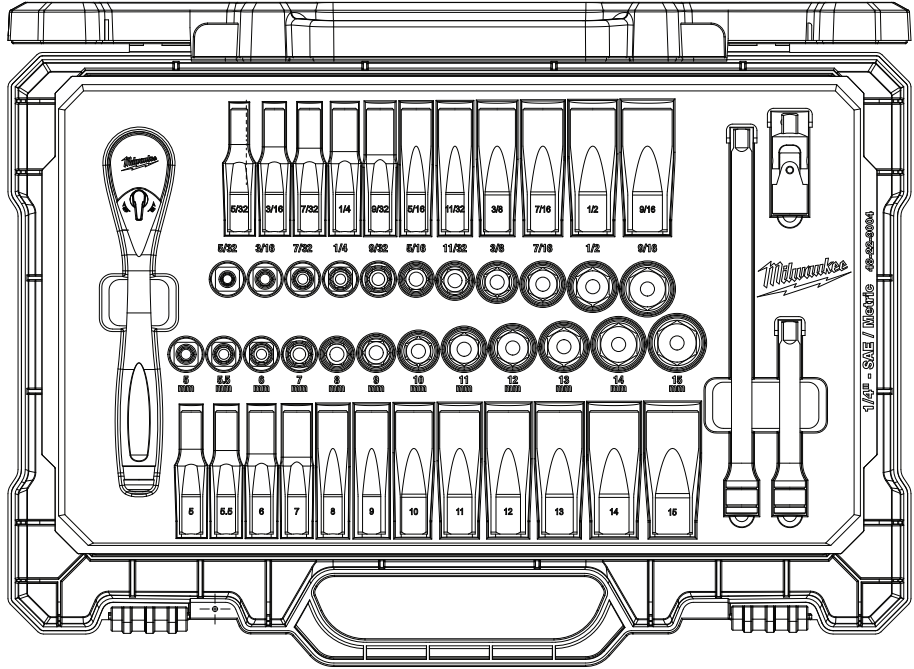
00 0

**EXAMPLE:**  
Component Parts (Small #)  
Are Included When Ordering  
The Assembly (Large #).

SPECIFY CATALOG NO. AND SERIAL NO. WHEN ORDERING PARTS		REVISED BULLETIN	DATE
<b>1/4" and 3/8" SAE and METRIC SOCKET SETS</b>			June 2022
<b>CAT. NO.</b>	<b>48-22-9004</b>	<b>1/4" SAE and Metric 50 pc. Combo Socket Set</b>	Page 1
	<b>48-22-9008</b>	<b>3/8" SAE and Metric 56 pc. Combo Socket Set</b>	Page 2
	<b>48-22-9404</b>	<b>1/4" SAE 26 pc. Socket Set</b>	Page 3
	<b>48-22-9408</b>	<b>3/8" SAE 28 pc. Socket Set</b>	Page 4
	<b>48-22-9504</b>	<b>1/4" Metric 28 pc. Socket Set</b>	Page 5
	<b>48-22-9508</b>	<b>3/8" Metric 32 pc. Socket Set</b>	Page 6



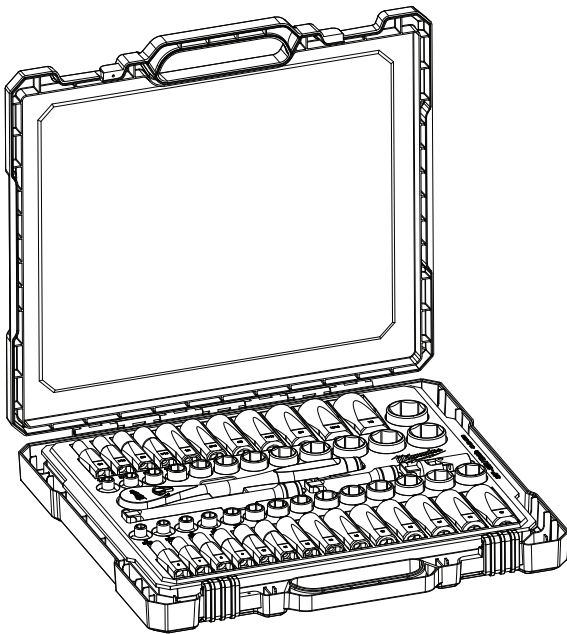
**Catalog No. 48-22-9004**  
**1/4" SAE and Metric**  
**50 piece Combo Socket Set**



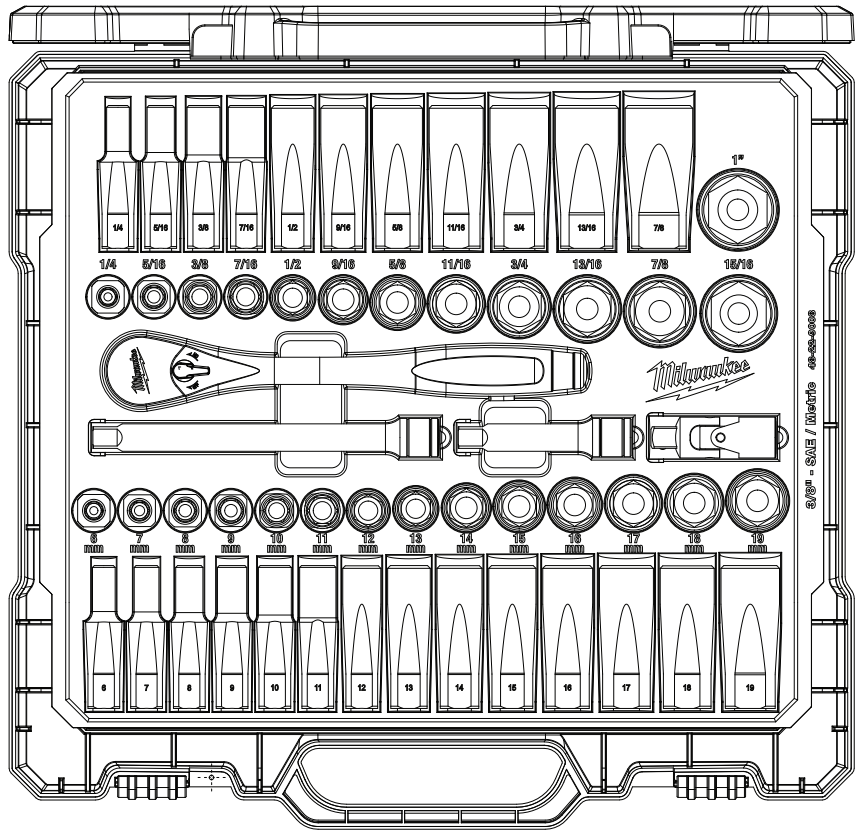
PART NO.	DRIVE SIZE	SOCKET/PART DESCRIPTION
45-34-9000	1/4" Drive Socket	SAE Standard 5/32"
45-34-9001	1/4" Drive Socket	SAE Standard 3/16"
45-34-9002	1/4" Drive Socket	SAE Standard 7/32"
45-34-9003	1/4" Drive Socket	SAE Standard 1/4"
45-34-9004	1/4" Drive Socket	SAE Standard 9/32"
45-34-9005	1/4" Drive Socket	SAE Standard 5/16"
45-34-9006	1/4" Drive Socket	SAE Standard 11/32"
45-34-9007	1/4" Drive Socket	SAE Standard 3/8"
45-34-9008	1/4" Drive Socket	SAE Standard 7/16"
45-34-9009	1/4" Drive Socket	SAE Standard 1/2"
45-34-9010	1/4" Drive Socket	SAE Standard 9/16"
45-34-9011	1/4" Drive Socket	SAE Deep 5/32"
45-34-9012	1/4" Drive Socket	SAE Deep 3/16"
45-34-9013	1/4" Drive Socket	SAE Deep 7/32"
45-34-9014	1/4" Drive Socket	SAE Deep 1/4"
45-34-9015	1/4" Drive Socket	SAE Deep 9/32"
45-34-9016	1/4" Drive Socket	SAE Deep 5/16"
45-34-9017	1/4" Drive Socket	SAE Deep 11/32"
45-34-9018	1/4" Drive Socket	SAE Deep 3/8"
45-34-9019	1/4" Drive Socket	SAE Deep 7/16"
45-34-9020	1/4" Drive Socket	SAE Deep 1/2"
45-34-9021	1/4" Drive Socket	SAE Deep 9/16"
43-24-9100	1/4" Drive Socket	3" Extension Bar
43-24-9101	1/4" Drive Socket	6" Extension Bar
42-04-9102	1/4" Drive Socket	Universal Joint
48-22-9014	1/4" Drive Socket	Socket Ratchet Wrench

PART NO.	DRIVE SIZE	SOCKET/PART DESCRIPTION
45-34-9030	1/4" Drive Socket	Metric Standard 5MM
45-34-9031	1/4" Drive Socket	Metric Standard 5.5MM
45-34-9032	1/4" Drive Socket	Metric Standard 6MM
45-34-9033	1/4" Drive Socket	Metric Standard 7MM
45-34-9034	1/4" Drive Socket	Metric Standard 8MM
45-34-9035	1/4" Drive Socket	Metric Standard 9MM
45-34-9036	1/4" Drive Socket	Metric Standard 10MM
45-34-9037	1/4" Drive Socket	Metric Standard 11MM
45-34-9038	1/4" Drive Socket	Metric Standard 12MM
45-34-9039	1/4" Drive Socket	Metric Standard 13MM
45-34-9040	1/4" Drive Socket	Metric Standard 14MM
45-34-9041	1/4" Drive Socket	Metric Standard 15MM
45-34-9042	1/4" Drive Socket	Metric Deep 5MM
45-34-9043	1/4" Drive Socket	Metric Deep 5.5MM
45-34-9044	1/4" Drive Socket	Metric Deep 6MM
45-34-9045	1/4" Drive Socket	Metric Deep 7MM
45-34-9046	1/4" Drive Socket	Metric Deep 8MM
45-34-9047	1/4" Drive Socket	Metric Deep 9MM
45-34-9048	1/4" Drive Socket	Metric Deep 10MM
45-34-9049	1/4" Drive Socket	Metric Deep 11MM
45-34-9050	1/4" Drive Socket	Metric Deep 12MM
45-34-9051	1/4" Drive Socket	Metric Deep 13MM
45-34-9052	1/4" Drive Socket	Metric Deep 14MM
45-34-9053	1/4" Drive Socket	Metric Deep 15MM

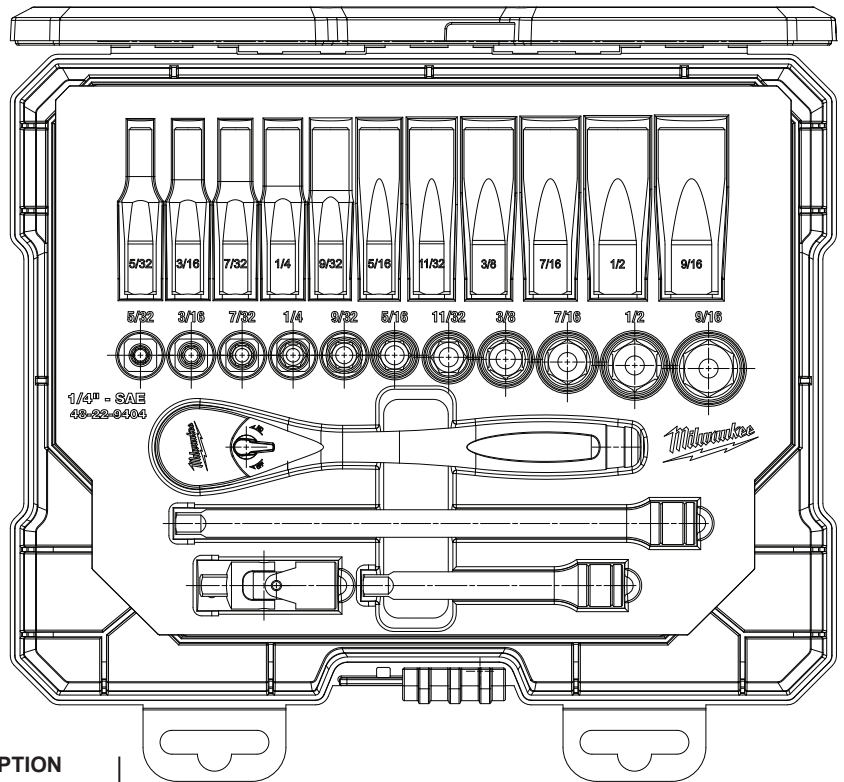
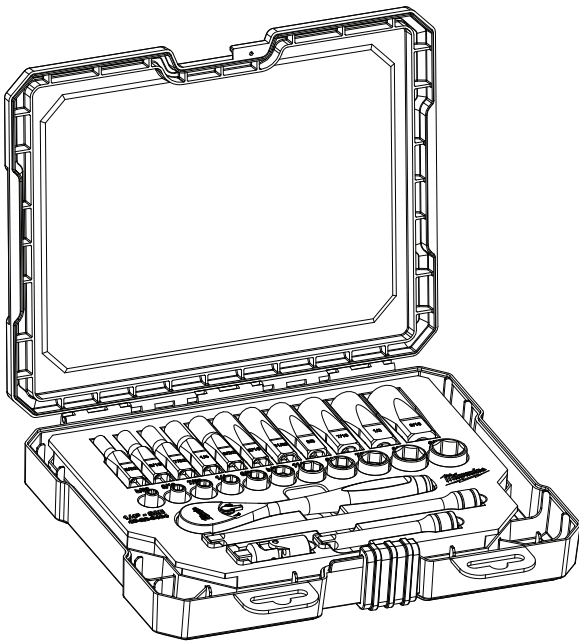
42-55-9100 SAE/Metric Carrying Case-Middle  
44-20-0035 Carrying Case Latch  
31-01-9100 1/4" 50 Pc. SAE/Metric Tool Tray



**Catalog No. 48-22-9008**  
**3/8" SAE and Metric**  
**56 piece Combo Socket Set**

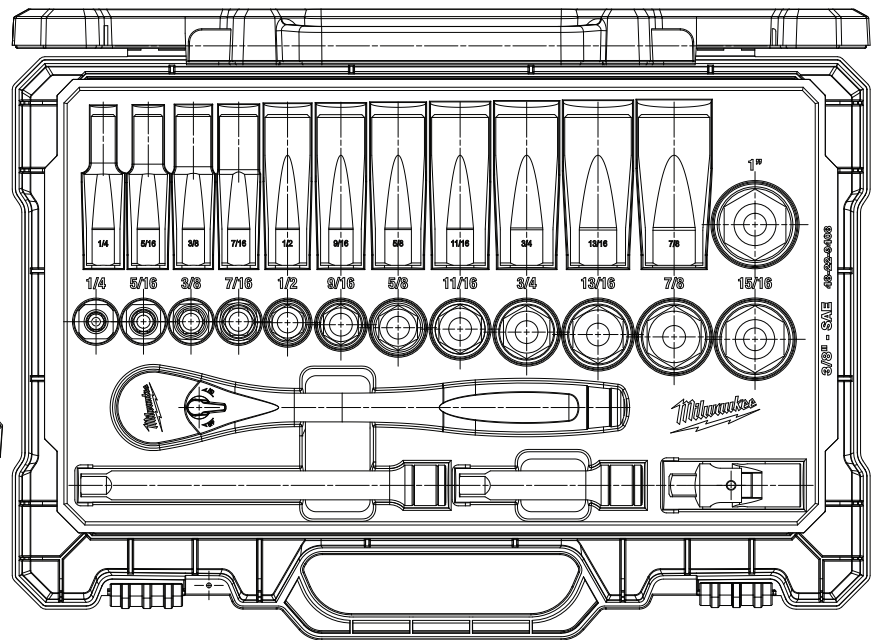
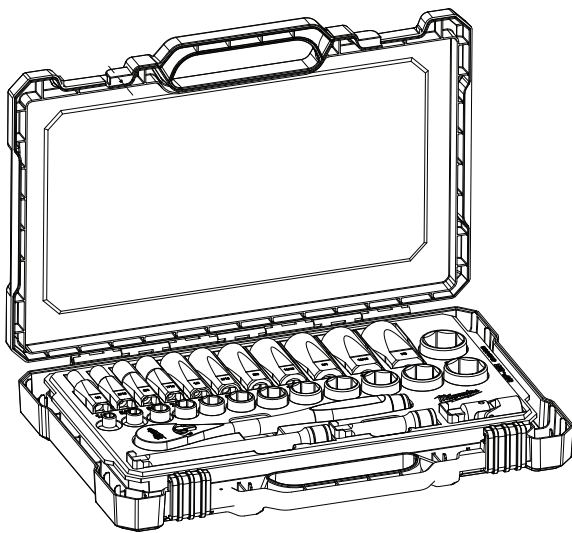


PART NO.	DRIVE SIZE	SOCKET/PART DESCRIPTION	PART NO.	DRIVE SIZE	SOCKET/PART DESCRIPTION
45-34-9060	3/8" Drive Socket	SAE Standard 1/4"	45-34-9076	3/8" Drive Socket	Metric Standard 6MM
45-34-9061	3/8" Drive Socket	SAE Standard 5/16"	45-34-9077	3/8" Drive Socket	Metric Standard 7MM
45-34-9062	3/8" Drive Socket	SAE Standard 3/8"	45-34-9078	3/8" Drive Socket	Metric Standard 8MM
45-34-9063	3/8" Drive Socket	SAE Standard 7/16"	45-34-9079	3/8" Drive Socket	Metric Standard 9MM
45-34-9064	3/8" Drive Socket	SAE Standard 1/2"	45-34-9080	3/8" Drive Socket	Metric Standard 10MM
45-34-9065	3/8" Drive Socket	SAE Standard 9/16"	45-34-9081	3/8" Drive Socket	Metric Standard 11MM
45-34-9066	3/8" Drive Socket	SAE Standard 5/8"	45-34-9082	3/8" Drive Socket	Metric Standard 12MM
45-34-9067	3/8" Drive Socket	SAE Standard 11/16"	45-34-9083	3/8" Drive Socket	Metric Standard 13MM
45-34-9068	3/8" Drive Socket	SAE Standard 3/4"	45-34-9084	3/8" Drive Socket	Metric Standard 14MM
45-34-9069	3/8" Drive Socket	SAE Standard 13/16"	45-34-9085	3/8" Drive Socket	Metric Standard 15MM
45-34-9070	3/8" Drive Socket	SAE Standard 7/8"	45-34-9086	3/8" Drive Socket	Metric Standard 16MM
45-34-9071	3/8" Drive Socket	SAE Standard 15/16"	45-34-9087	3/8" Drive Socket	Metric Standard 17MM
45-34-9072	3/8" Drive Socket	SAE Standard 1"	45-34-9088	3/8" Drive Socket	Metric Standard 18MM
45-34-9073	3/8" Drive Socket	SAE Deep 1/4"	45-34-9089	3/8" Drive Socket	Metric Standard 19MM
45-34-3125	3/8" Drive Socket	SAE Deep 5/16"	45-34-9090	3/8" Drive Socket	Metric Deep 6MM
45-34-3750	3/8" Drive Socket	SAE Deep 3/8"	45-34-9091	3/8" Drive Socket	Metric Deep 7MM
45-34-4375	3/8" Drive Socket	SAE Deep 7/16"	45-34-9092	3/8" Drive Socket	Metric Deep 8MM
45-35-5000	3/8" Drive Socket	SAE Deep 1/2"	45-34-9093	3/8" Drive Socket	Metric Deep 9MM
45-34-5625	3/8" Drive Socket	SAE Deep 9/16"	45-34-0010	3/8" Drive Socket	Metric Deep 10MM
45-34-6250	3/8" Drive Socket	SAE Deep 5/8"	45-34-9094	3/8" Drive Socket	Metric Deep 11MM
45-34-6875	3/8" Drive Socket	SAE Deep 11/16"	45-34-0012	3/8" Drive Socket	Metric Deep 12MM
45-34-7500	3/8" Drive Socket	SAE Deep 3/4"	45-34-0013	3/8" Drive Socket	Metric Deep 13MM
45-34-9074	3/8" Drive Socket	SAE Deep 13/16"	45-34-0014	3/8" Drive Socket	Metric Deep 14MM
45-34-9075	3/8" Drive Socket	SAE Deep 7/8"	45-34-0015	3/8" Drive Socket	Metric Deep 15MM
43-24-9102	3/8" Drive Socket	3" Extension Bar	45-34-9095	3/8" Drive Socket	Metric Deep 16MM
43-24-0006	3/8" Drive Socket	6" Extension Bar	45-34-0117	3/8" Drive Socket	Metric Deep 17MM
42-04-9103	3/8" Drive Socket	Universal Joint	45-34-0118	3/8" Drive Socket	Metric Deep 18MM
48-22-9038	3/8" Drive Socket	Socket Ratchet Wrench	45-34-0119	3/8" Drive Socket	Metric Deep 19MM
42-55-9101		SAE/Metric Carrying Case-Large			
44-20-0035		Carrying Case Latch			
31-01-9101		3/8" 56 Pc. SAE/Metric Tool Tray			



**Catalog No. 48-22-9404**  
**1/4" SAE 26 piece Socket Set**

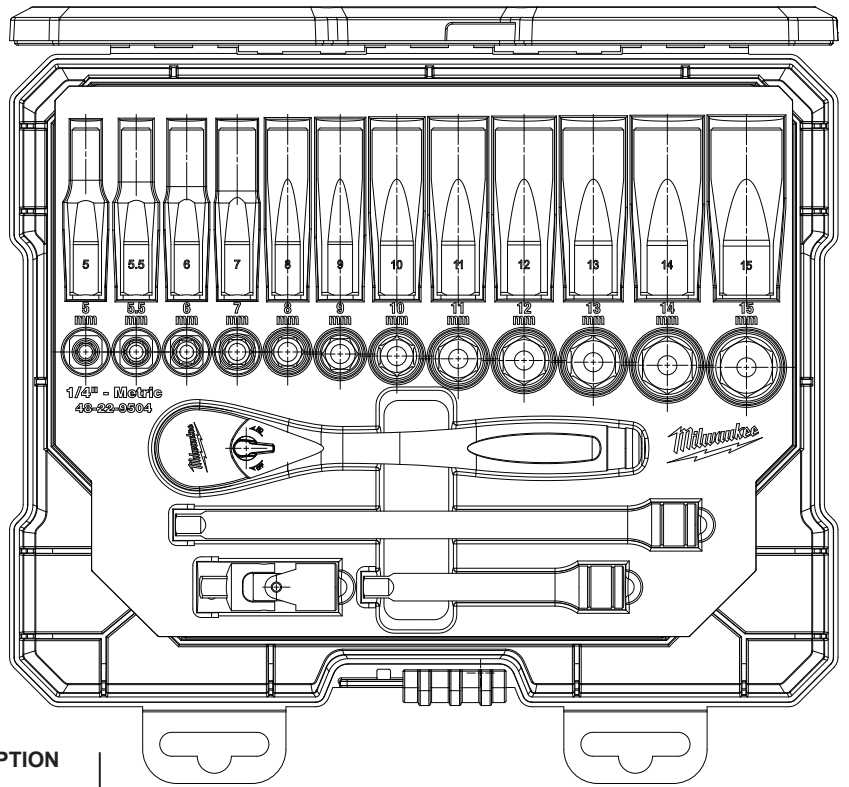
PART NO.	DRIVE SIZE	SOCKET/PART DESCRIPTION
45-34-9000	1/4" Drive Socket	SAE Standard 5/32"
45-34-9001	1/4" Drive Socket	SAE Standard 3/16"
45-34-9002	1/4" Drive Socket	SAE Standard 7/32"
45-34-9003	1/4" Drive Socket	SAE Standard 1/4"
45-34-9004	1/4" Drive Socket	SAE Standard 9/32"
45-34-9005	1/4" Drive Socket	SAE Standard 5/16"
45-34-9006	1/4" Drive Socket	SAE Standard 11/32"
45-34-9007	1/4" Drive Socket	SAE Standard 3/8"
45-34-9008	1/4" Drive Socket	SAE Standard 7/16"
45-34-9009	1/4" Drive Socket	SAE Standard 1/2"
45-34-9010	1/4" Drive Socket	SAE Standard 9/16"
45-34-9011	1/4" Drive Socket	SAE Deep 5/32"
45-34-9012	1/4" Drive Socket	SAE Deep 3/16"
45-34-9013	1/4" Drive Socket	SAE Deep 7/32"
45-34-9014	1/4" Drive Socket	SAE Deep 1/4"
45-34-9015	1/4" Drive Socket	SAE Deep 9/32"
45-34-9016	1/4" Drive Socket	SAE Deep 5/16"
45-34-9017	1/4" Drive Socket	SAE Deep 11/32"
45-34-9018	1/4" Drive Socket	SAE Deep 3/8"
45-34-9019	1/4" Drive Socket	SAE Deep 7/16"
45-34-9020	1/4" Drive Socket	SAE Deep 1/2"
45-34-9021	1/4" Drive Socket	SAE Deep 9/16"
43-24-9100	1/4" Drive Socket	3" Extension Bar
43-24-9101	1/4" Drive Socket	6" Extension Bar
42-04-9102	1/4" Drive Socket	Universal Joint
48-22-9014	1/4" Drive Socket	Socket Ratchet Wrench
42-55-9102		SAE Carrying Case-Small
44-20-0035		Carrying Case Latch
31-01-9102		1/4" 26 Pc. SAE Tool Tray



**Catalog No. 48-22-9408**  
**3/8" SAE 28 piece Socket Set**

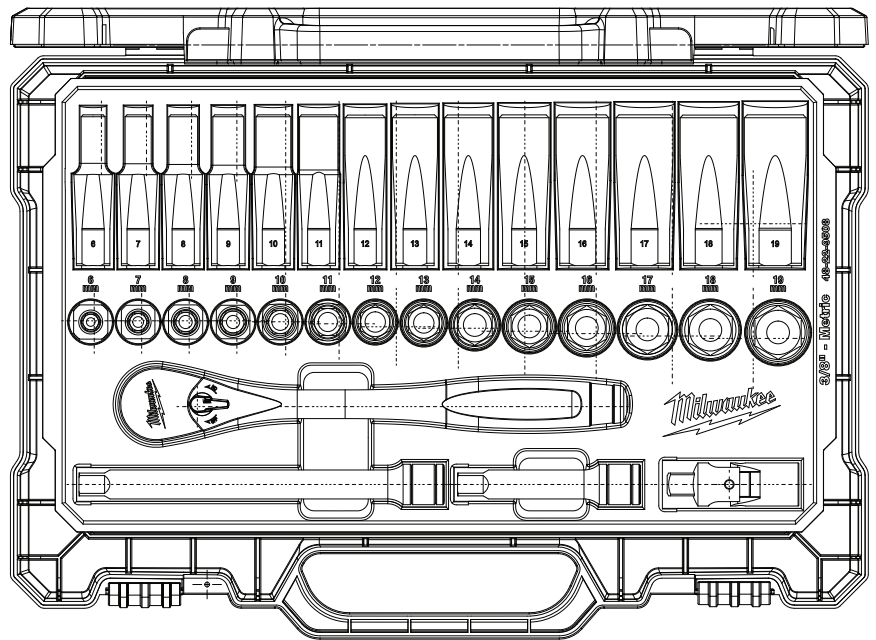
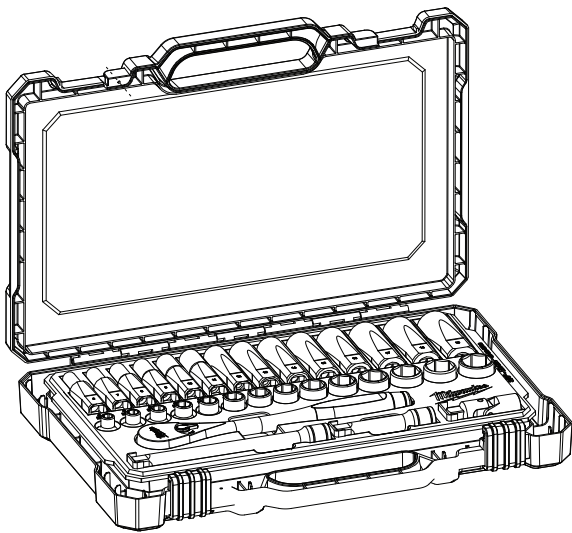
PART NO.	DRIVE SIZE	SOCKET/PART DESCRIPTION
45-34-9060	3/8" Drive Socket	SAE Standard 1/4"
45-34-9061	3/8" Drive Socket	SAE Standard 5/16"
45-34-9062	3/8" Drive Socket	SAE Standard 3/8"
45-34-9063	3/8" Drive Socket	SAE Standard 7/16"
45-34-9064	3/8" Drive Socket	SAE Standard 1/2"
45-34-9065	3/8" Drive Socket	SAE Standard 9/16"
45-34-9066	3/8" Drive Socket	SAE Standard 5/8"
45-34-9067	3/8" Drive Socket	SAE Standard 11/16"
45-34-9068	3/8" Drive Socket	SAE Standard 3/4"
45-34-9069	3/8" Drive Socket	SAE Standard 13/16"
45-34-9070	3/8" Drive Socket	SAE Standard 7/8"
45-34-9071	3/8" Drive Socket	SAE Standard 15/16"
45-34-9072	3/8" Drive Socket	SAE Standard 1"
45-34-9073	3/8" Drive Socket	SAE Deep 1/4"
45-34-3125	3/8" Drive Socket	SAE Deep 5/16"
45-34-3750	3/8" Drive Socket	SAE Deep 3/8"
45-34-4375	3/8" Drive Socket	SAE Deep 7/16"
45-35-5000	3/8" Drive Socket	SAE Deep 1/2"
45-34-5625	3/8" Drive Socket	SAE Deep 9/16"
45-34-6250	3/8" Drive Socket	SAE Deep 5/8"
45-34-6875	3/8" Drive Socket	SAE Deep 11/16"
45-34-7500	3/8" Drive Socket	SAE Deep 3/4"
45-34-9074	3/8" Drive Socket	SAE Deep 13/16"
45-34-9075	3/8" Drive Socket	SAE Deep 7/8"
43-24-9102	3/8" Drive Socket	3" Extension Bar
43-24-0006	3/8" Drive Socket	6" Extension Bar
42-04-9103	3/8" Drive Socket	Universal Joint
48-22-9038	3/8" Drive Socket	Socket Ratchet Wrench
42-55-9100		SAE Carrying Case-Middle
44-20-0035		Carrying Case Latch
31-01-9103		3/8" 28 Pc. SAE Tool Tray





**Catalog No. 48-22-9504**  
**1/4" Metric 28 piece Socket Set**

PART NO.	DRIVE SIZE	SOCKET/PART DESCRIPTION
45-34-9030	1/4" Drive Socket	Metric Standard 5MM
45-34-9031	1/4" Drive Socket	Metric Standard 5.5MM
45-34-9032	1/4" Drive Socket	Metric Standard 6MM
45-34-9033	1/4" Drive Socket	Metric Standard 7MM
45-34-9034	1/4" Drive Socket	Metric Standard 8MM
45-34-9035	1/4" Drive Socket	Metric Standard 9MM
45-34-9036	1/4" Drive Socket	Metric Standard 10MM
45-34-9037	1/4" Drive Socket	Metric Standard 11MM
45-34-9038	1/4" Drive Socket	Metric Standard 12MM
45-34-9039	1/4" Drive Socket	Metric Standard 13MM
45-34-9040	1/4" Drive Socket	Metric Standard 14MM
45-34-9041	1/4" Drive Socket	Metric Standard 15MM
45-34-9042	1/4" Drive Socket	Metric Deep 5MM
45-34-9043	1/4" Drive Socket	Metric Deep 5.5MM
45-34-9044	1/4" Drive Socket	Metric Deep 6MM
45-34-9045	1/4" Drive Socket	Metric Deep 7MM
45-34-9046	1/4" Drive Socket	Metric Deep 8MM
45-34-9047	1/4" Drive Socket	Metric Deep 9MM
45-34-9048	1/4" Drive Socket	Metric Deep 10MM
45-34-9049	1/4" Drive Socket	Metric Deep 11MM
45-34-9050	1/4" Drive Socket	Metric Deep 12MM
45-34-9051	1/4" Drive Socket	Metric Deep 13MM
45-34-9052	1/4" Drive Socket	Metric Deep 14MM
45-34-9053	1/4" Drive Socket	Metric Deep 15MM
43-24-9100	1/4" Drive Socket	3" Extension Bar
43-24-9101	1/4" Drive Socket	6" Extension Bar
42-04-9102	1/4" Drive Socket	Universal Joint
48-22-9014	1/4" Drive Socket	Socket Ratchet Wrench
42-55-9102		SAE/Metric Carrying Case-Small
44-20-0035		Carrying Case Latch
31-01-9104		1/4" 28 Pc. Metric Tool Tray



**Catalog No. 48-22-9508**  
**3/8" Metric 32 piece Socket Set**

PART NO.	DRIVE SIZE	SOCKET/PART DESCRIPTION
45-34-9076	3/8" Drive Socket	Metric Standard 6MM
45-34-9077	3/8" Drive Socket	Metric Standard 7MM
45-34-9078	3/8" Drive Socket	Metric Standard 8MM
45-34-9079	3/8" Drive Socket	Metric Standard 9MM
45-34-9080	3/8" Drive Socket	Metric Standard 10MM
45-34-9081	3/8" Drive Socket	Metric Standard 11MM
45-34-9082	3/8" Drive Socket	Metric Standard 12MM
45-34-9083	3/8" Drive Socket	Metric Standard 13MM
45-34-9084	3/8" Drive Socket	Metric Standard 14MM
45-34-9085	3/8" Drive Socket	Metric Standard 15MM
45-34-9086	3/8" Drive Socket	Metric Standard 16MM
45-34-9087	3/8" Drive Socket	Metric Standard 17MM
45-34-9088	3/8" Drive Socket	Metric Standard 18MM
45-34-9089	3/8" Drive Socket	Metric Standard 19MM
45-34-9090	3/8" Drive Socket	Metric Deep 6MM
45-34-9091	3/8" Drive Socket	Metric Deep 7MM
45-34-9092	3/8" Drive Socket	Metric Deep 8MM
45-34-9093	3/8" Drive Socket	Metric Deep 9MM
45-34-0010	3/8" Drive Socket	Metric Deep 10MM
45-34-9094	3/8" Drive Socket	Metric Deep 11MM
45-34-0012	3/8" Drive Socket	Metric Deep 12MM
45-34-0013	3/8" Drive Socket	Metric Deep 13MM
45-34-0014	3/8" Drive Socket	Metric Deep 14MM
45-34-0015	3/8" Drive Socket	Metric Deep 15MM
45-34-9095	3/8" Drive Socket	Metric Deep 16MM
45-34-0117	3/8" Drive Socket	Metric Deep 17MM
45-34-0118	3/8" Drive Socket	Metric Deep 18MM
45-34-0119	3/8" Drive Socket	Metric Deep 19MM
43-24-9102	3/8" Drive Socket	3" Extension Bar
43-24-0006	3/8" Drive Socket	6" Extension Bar
42-04-9103	3/8" Drive Socket	Universal Joint
48-22-9038	3/8" Drive Socket	Socket Ratchet Wrench
42-55-9100		SAE/Metric Carrying Case-Large
44-20-0035		Carrying Case Latch
31-01-9105		3/8" 32 Pc. Metric Tool Tray