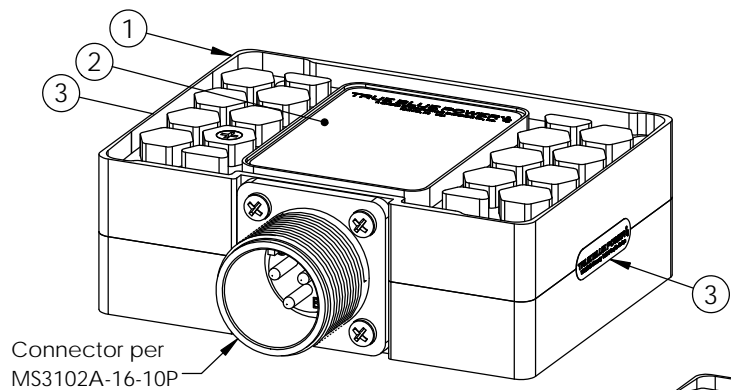
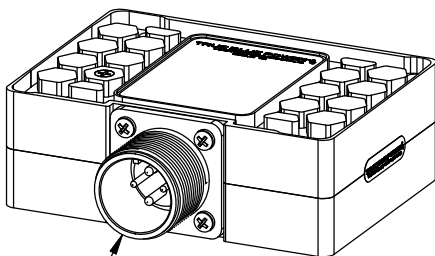


Configuration			
Dash #	Remote On/OFF	Connector Kit	Assy, TC240
-1	No	9018654	9018490-3
-2	Yes	9018655	9018490-4

Revision				
ECO	Rev.	Description	Date	Approved
	A	Production release	05/25/16	VAA/BAW
6624	B	Updated Connector Kits and changed 9018491 to 9018491-1.	06/01/16	VAA/MKN



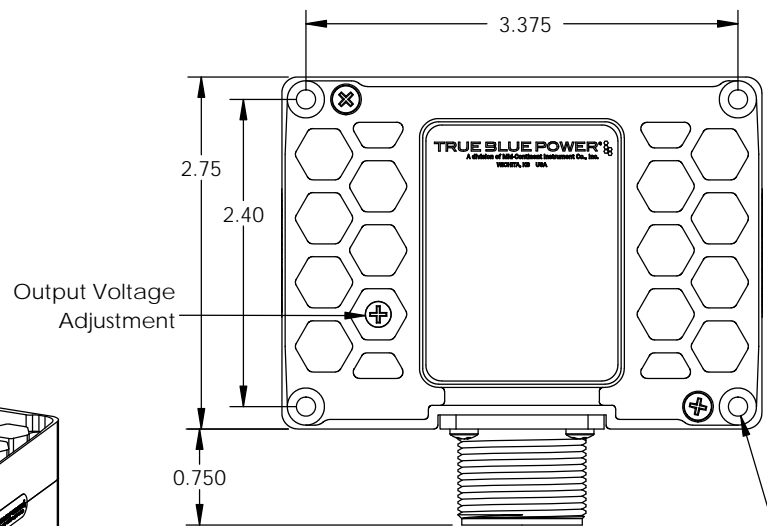
-1 Configuration



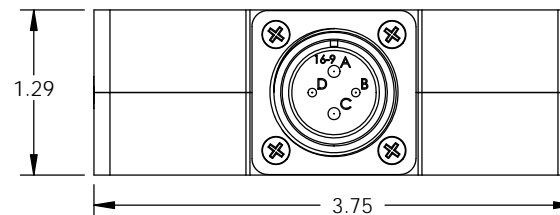
Connector per MS3102A-16-9P

-2 Configuration

Connector Pinout		
Pin	-1 Config	-2 Config
A	DC Return	DC Return
B	DC Input	DC Input
C	VDC Output	VDC Output
D	N/A	Remote ON/OFF



4X \varnothing 0.15 Thru
 \square \varnothing 0.29 ∇ 0.54
 Mounting Holes for #6-32 X 1.0" (min)



Specifications	
Model Number	TC240
Power Input	22-32 VDC 10 Amps nominal @ 28VDC; 16 Amps max
Power Output	5-18 VDC (adjustable) 240 watts rated power 18 Amps @ 14V nominal
Efficiency	95%
Features	Short-circuit protection; reverse polarity protection; over-voltage protection;
Qualification	FAA TSO-C71 RTCA DO-160G (See Installation Manual)
Temperature	-55°C to +70°C
Mating Connector	See Config
Case	Machined aluminum, blue anodized
Weight	0.70 lbs (0.32 kg) max
Install Manual	P/N 9018640

Item	Qty	Part Number	Description
1	1	9018490-3	Assy, TC240
2	1	9018491-1	Nameplate, TC240
3	2	6018956-1	Decal, Warranty, TBP

UNLESS OTHERWISE SPECIFIED, ALL DIMENSIONS ARE IN INCHES.
 TOLERANCE:
 FRACTIONAL = $\pm 1/64$
 .XX = ± 0.015
 .XXX = ± 0.005
 .XXXX = ± 0.002
 ANGULAR = $\pm 0.5^\circ$
 CONCENTRICITY: 0.005 TIR
 BREAK ALL SHARP EDGES
 THREADS PER MIL-S-7742

DRAWN:
 VAA
 04/25/2016

APPROVED:
 BAW
 5/25/16

This document discloses proprietary information of Mid-Continent Instrument Co., Inc. It may be reproduced or disclosed only with written permission of Mid-Continent Instrument Co. and is not to be used in any way detrimental to the interests of Mid-Continent Instrument Co., Inc.

TITLE:
 Converter, DC/DC, 240W

SCALE: 2:3

TRUE BLUE POWER
 A Division of Mid-Continent Instrument Co., Inc.

PART NUMBER:
 6430240

DO NOT SCALE THIS DRAWING

SHEET: 1 of 1