

PART NUMBER	PART NUMBER	PART NUMBER	"A" DIAMETER	
			MAXIMUM	MINIMUM
6504	6604	6704	5/8	1/4
6506	6606	6706	25/32	7/16
6508	6608	6708	29/32	1/2
6510	6610	6710	1-1/16	9/16

No	REVISION	DATE	BY
1	CHANGED FRACTIONS TO DECIMALS ADDED "REF." (REF. ECR #276) REDRAWN ON AUTOCAD	10-94	J.S.

MATERIAL - 6500 SERIES

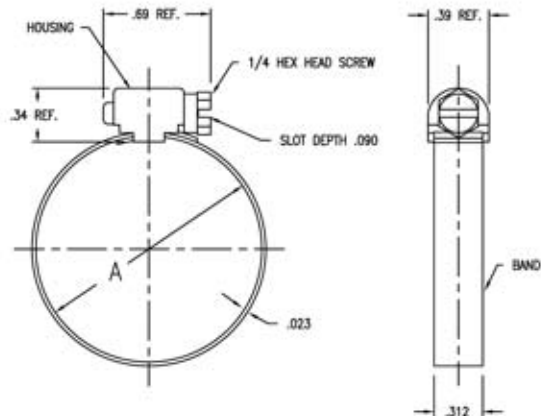
BAND - AISI TYPE 301 STAINLESS STEEL
 HOUSING - AISI TYPE 301 STAINLESS STEEL
 SCREW - AISI C1018/C1022 CARBON STEEL
 CASE HARDEN
 ZINC PLATE

MATERIAL - 6600 SERIES

BAND - AISI TYPE 301 STAINLESS STEEL
 HOUSING - AISI TYPE 301 STAINLESS STEEL
 SCREW - AISI TYPE 410 STAINLESS STEEL
 HEAT TREATED
 PASSIVATED

MATERIAL - 6700 SERIES

BAND - AISI TYPE 301 STAINLESS STEEL
 HOUSING - AISI TYPE 301 STAINLESS STEEL
 SCREW - AISI TYPE 305 STAINLESS STEEL
 PASSIVATED



SCALE:	N.T.S.	
DRAWN	DATE	BY
CHECKED	10-18-94	J.S.
APPROVED		

TITLE:-	3 PIECE MINATURE CLAMP	
UNLESS NOTED, TOLERANCES ARE:		
.XX +/- .010	FRACT. +/- 1/64	
.XXX +/- .005	ANG. +/- 0 15'	
.XXXX +/-		

THE INFORMATION SHOWN ON THIS DRAWING CONSTITUTES PROPRIETARY INFORMATION OF BREEZE INDUSTRIAL PRODUCTS AND MAY NOT BE COPIED IN WHOLE OR IN PART WITHOUT WRITTEN PERMISSION.