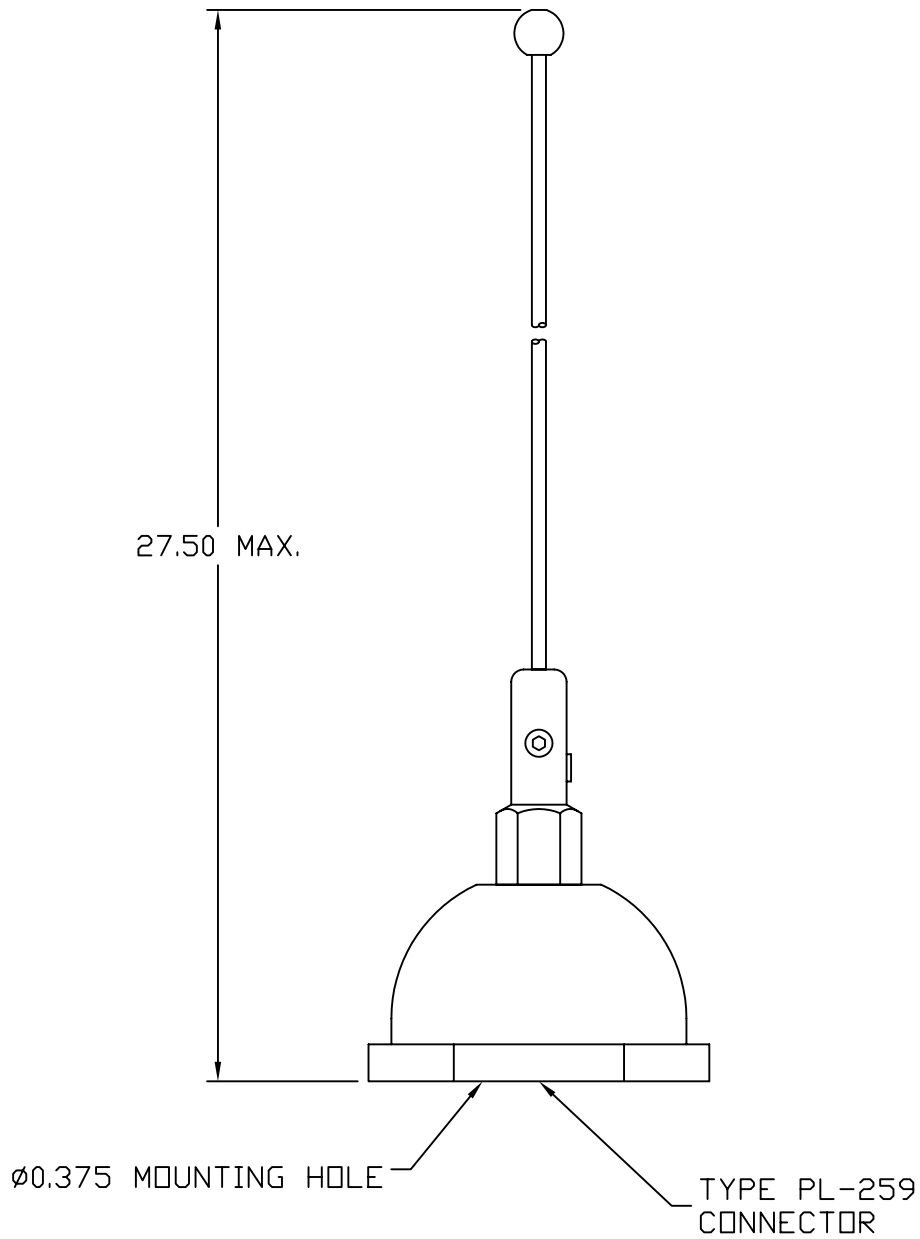


AV-3

OUTLINE DRAWING



NOT TO SCALE

22 DEC 92