

AVT-4

LOUD & CLEAR®



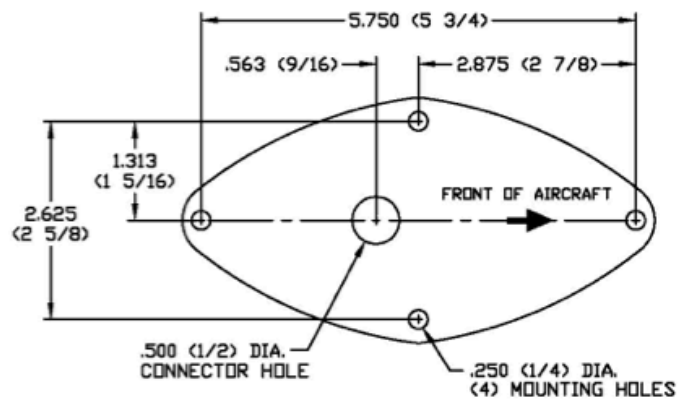
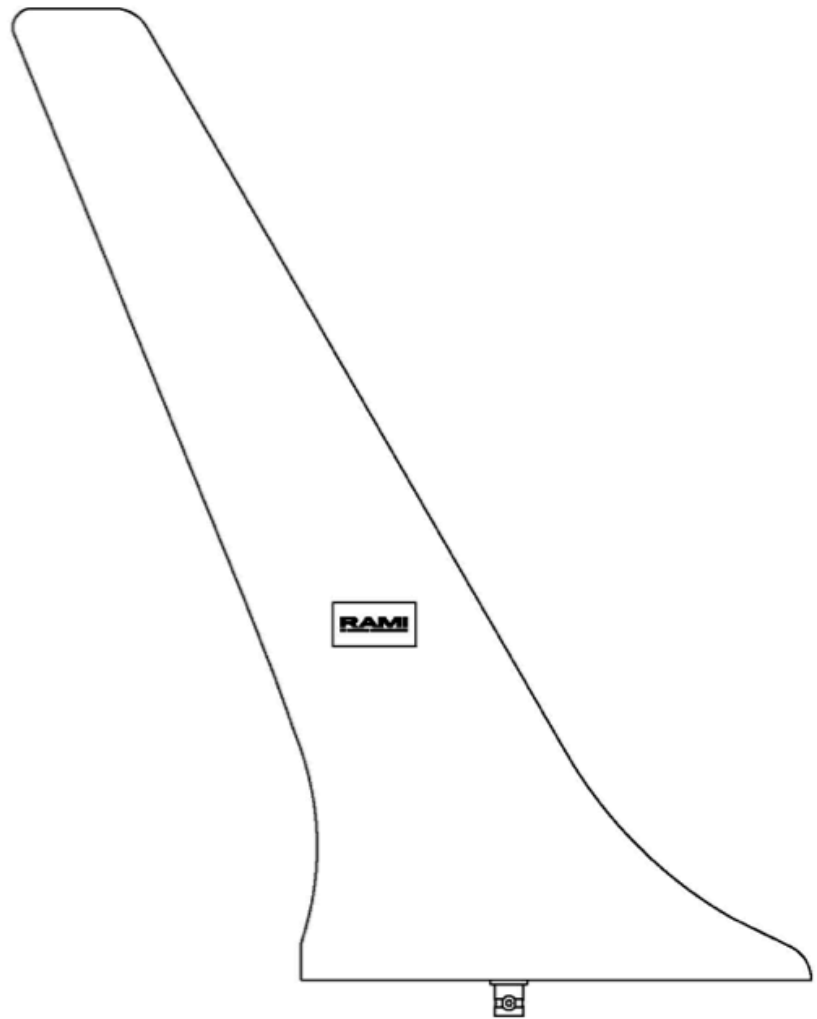
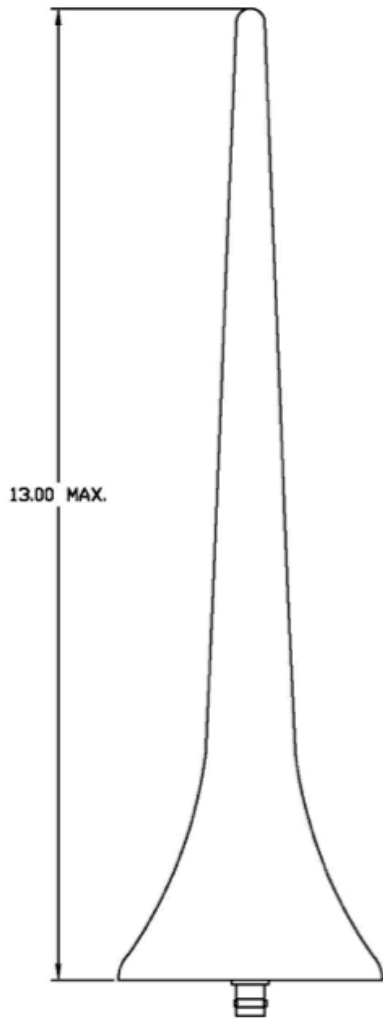
PRODUCT DESCRIPTION

Model Number	AVT-4
Part Number	AVT-4
Market	Aviation

The AVT-4 is a broad-band VHF communications antenna. It incorporates a low drag blade housing design made of LURAN-S plastic for high strength and a radiating element encapsulated in rigid polyurethane foam. The housing is finished with a Skydrol resistant white polyurethane paint and comes with mounting hardware and neoprene mounting pad. The antenna is designed to operate at speeds up to 350 mph and altitudes of 50,000 ft. It has a drag force of 0.85 lb. @ 250 mph.

PRODUCT SPECIFICATIONS

Application	Airborne Communications
Frequency	118–137 MHz
Impedance	50 Ohms Nominal
VSWR	3.0:1 Maximum
Polarization	Vertical
Pattern	Omni-Directional
Connector	“BNC” Female
Max Weight	20 oz.
Max Height	13”
RF Power Capacity	30 Watts CW
FAA TSO	C37d, C38d



(not to scale)