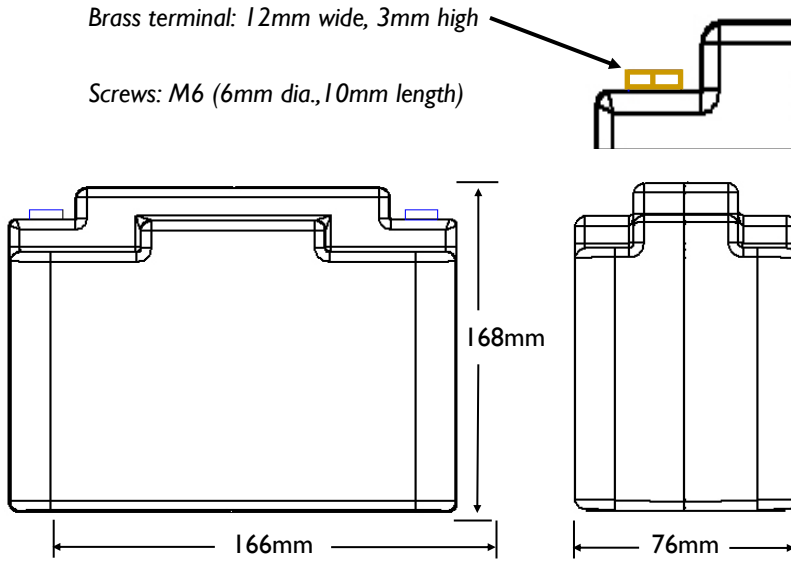


# ETX1200

▶ DIMENSIONS



**Lightweight LiFePO4 battery with superior over discharge protection, over charge protection, short circuit protection, excessive cranking protection and built in cell balancing technology. All of these features are redundant with an LED battery fault light indicator.**

- State of the art ceramic cell construction to improve safety and reliability 4X
- 20% longer shelf life, lower cell discharge rate
- Enhanced short circuit protection
- Improved recharging ability
- 60% improvement over voltage protection

▶ SPECIFICATIONS

## Specifications

Voltage	13.2V
Capacity	20Ah (See charts)
Capacity vs Temperature	25 °C = 100% 0°C = 97% -30°C = 95%
Self-Discharge Rate	< 2% / month @ 25 °C
Pulse Crank Amps (PCA)	1200A (3 sec @ 25 °C, voltage >7.2V)
Cold Crank Amps (CCA)	600A (modified SAE test, 3 sec @ 0°F, volts >7.2V)
Continuous Discharge Amps	150A
Standard Charge Voltage	13.9 - 14.6 V
Recommended Charge Amps	5 - 25A
Max Charge Amps	120A (from vehicle charging system)
Life (Charge cycles, 80% depth of discharge)	4000 cycles @ 1C discharge rate, 25°C 2000 cycles @ 10C discharge rate, 25°C
Life (Years)	Up to 6 Years
Weight	5.6 lb. (2.7Kg)
Dimensions	6.5 in (L) x 3 in (W) x 6.6 in (H) 166mm(L) x 76mm (W) x 168mm (H)
Environmental Rating (resistance to water intrusion)	IP 66 (wash down with a high pressure washer)
Operating Temperature	-30 °C to +60 °C
Storage Temperature	-40 °C to +70 °C
Maximum Altitude	50,000 Ft

## Discharge Characteristics

