



## FS25 Range of Fuel Selectors



The FS25 range consists of 5 models of Fuel Selector which are currently available from Andair. From a simple ON/OFF shut off valve to a more complex 4 way selector (3 tanks and OFF), all of the valves come with some superb features:

- Smooth action between each tank selection
- Safety button that must be raised to switch OFF the fuel, this helps to prevent inadvertent fuel shut off.
- Clearly labeled fascia plate, this can be custom engraved.
- Choice of lower fitting.
- Choice of side fittings.
- All models can be supplied with an extension and universal joints.

### FS25 Models

FS25x1 - ON|OFF (90 degree action shut OFF Valve)

FS25x2 - LEFT|RIGHT|OFF (90 degrees between LEFT and RIGHT)

FS25x3 - LEFT|RIGHT|OFF (180 degrees between LEFT and RIGHT)

FS25x4 - LEFT|BOTH|RIGHT|OFF (90 degrees action between each position)

FS25x5 - LEFT|MAIN|RIGHT|OFF (90 degrees action between each position)

The FS25x4 Fuel Selector is designed for high wing aircraft where it is possible to feed from both tanks simultaneously. Porting for the both position is done internally so there is no need to T the two tanks together. There is a smooth 90 degree action between each selection and a strong, firm detent gives a welcome reassurance that the valve is in the correct position, and has the safety feature where the red button on the lever has to be raised to switch off the fuel. The valve comes with a clearly labeled fascia plate. It is Chromic anodised for corrosion protection, and is satisfactory for all fuel types.

The FS25x4 has three ports. The lower port is the outlet to the engine and can be Male AN-8, Female 3/8 NPT or a Banjo fitting which is a 360 degree adjustable fitting with a male AN-8 end. This can be configured whilst ordering from our website.

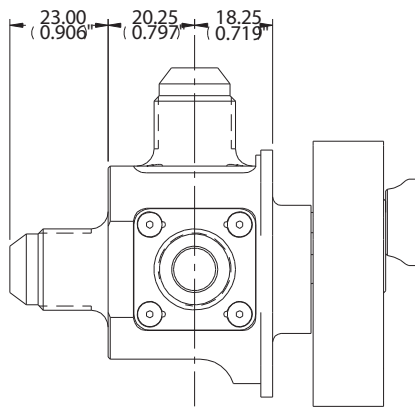
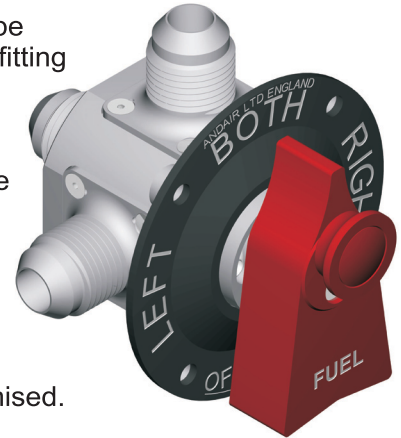
The inlet, side ports can be any of the 1/2" fittings that Andair supply and are at the 9 O'clock and 12 O'clock positions when looking at the valve with the spindle pointing upwards.

When the valve is in the OFF position there is no crossfeed between the tanks.

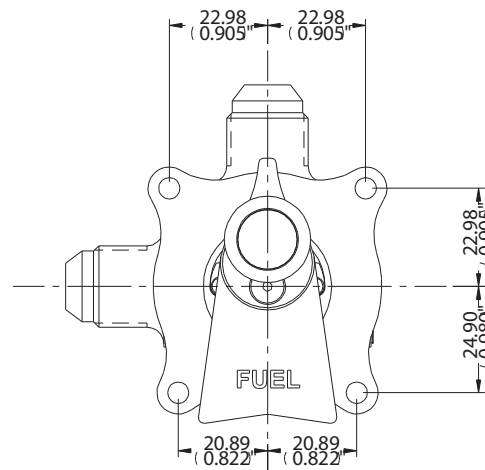
Options available include :-

Extension Equipment.

Special Engraving: On the FS25x4 the 'LEFT' and 'RIGHT' text can be customised.

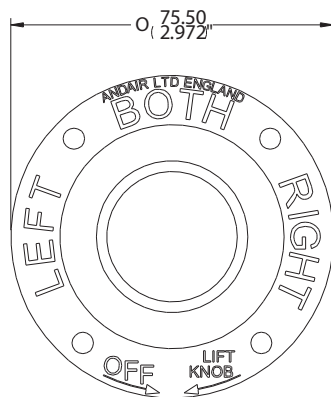


Side View

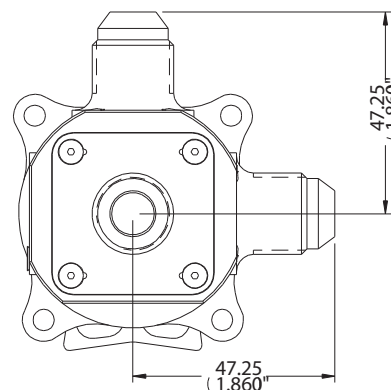


Front View

Not To Scale



Fascia Plate

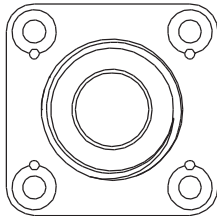


Rear View

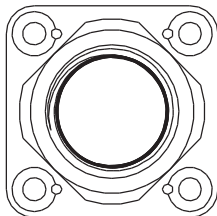
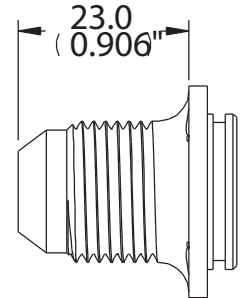
# FS25 Fittings

SPEC SHEET  
FS25FIT REV1

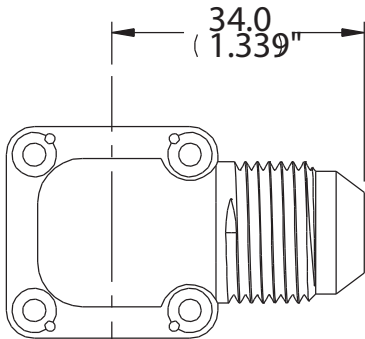
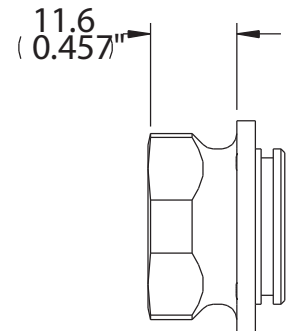
These fittings fit the following products: all FS25 fuel selectors, the feed line of the FS2520 and EFS2520 duplex fuel selectors, and all GAS500 gascolators.



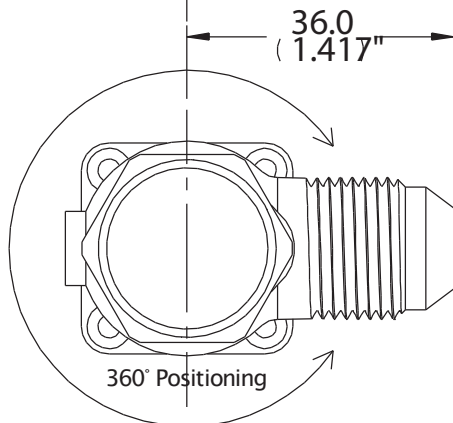
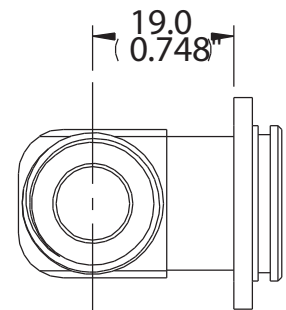
MF25  
AN-8 Male  
Fitting



FF25  
3/8" NPT  
Female Fitting



EF25  
AN-8 Male  
Elbow Fitting



BF25  
AN-8 Male  
Banjo Fitting

