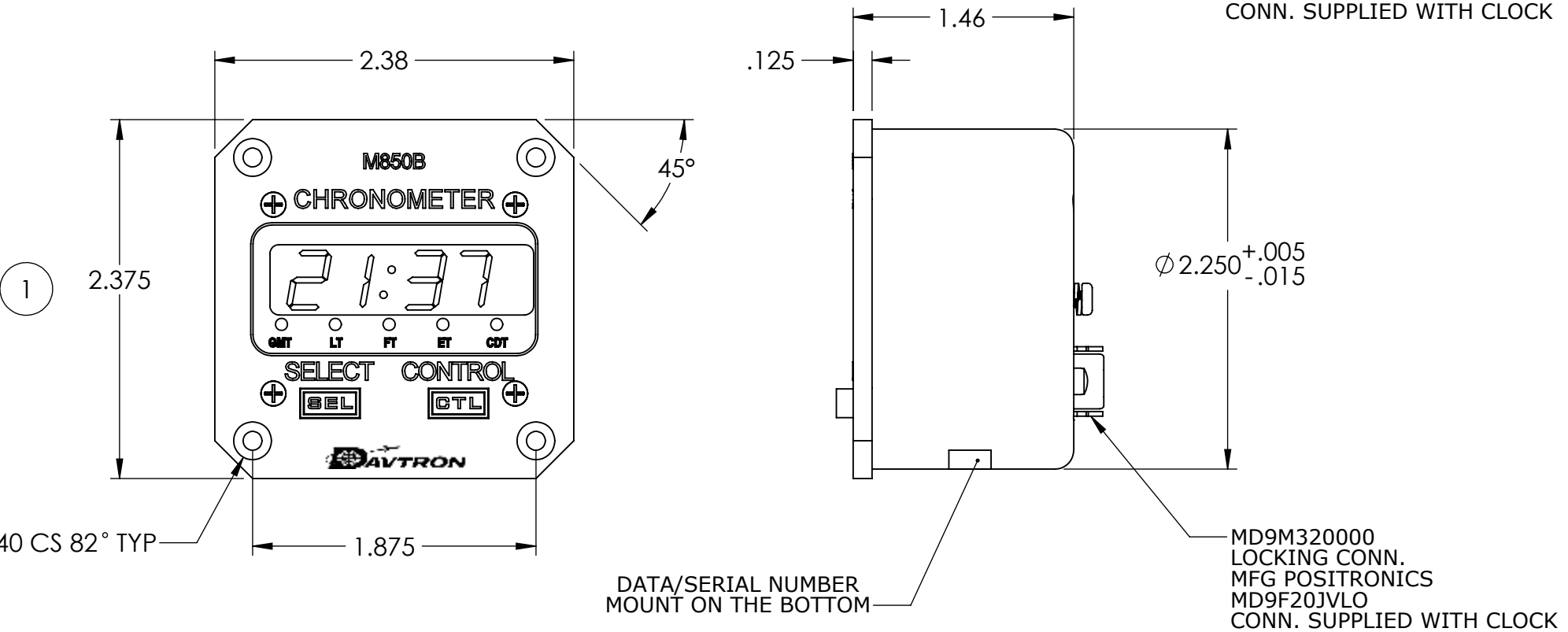
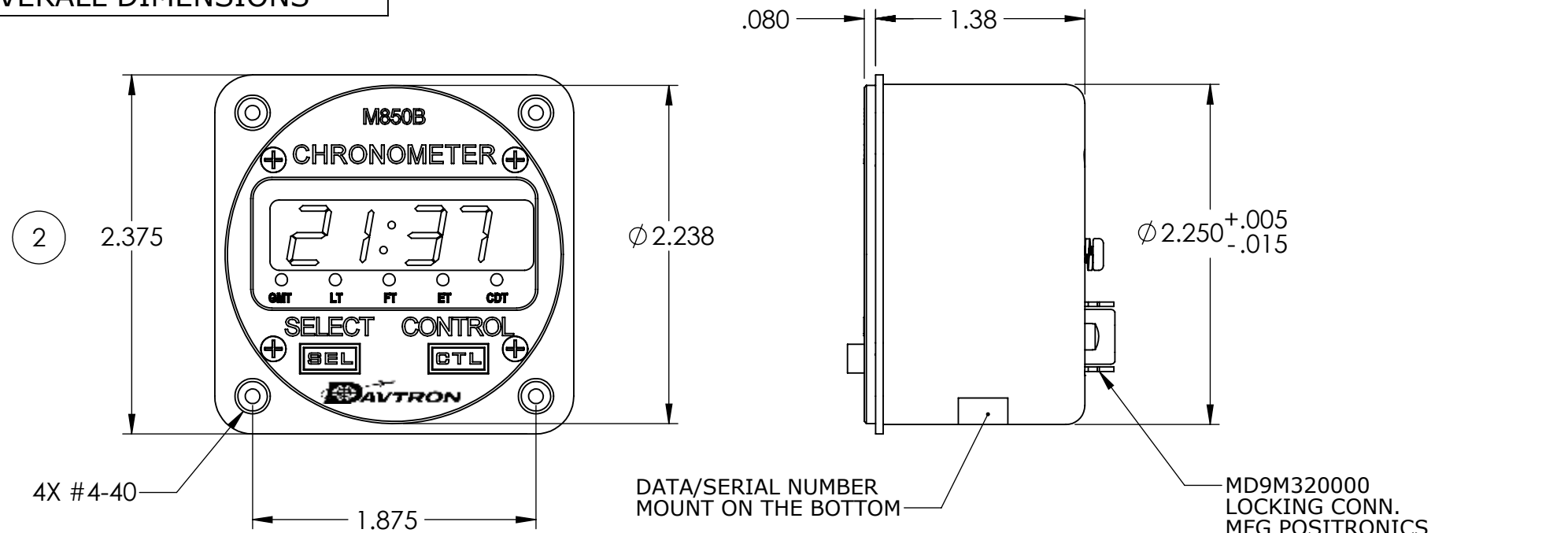


--OVERALL DIMENSIONS --

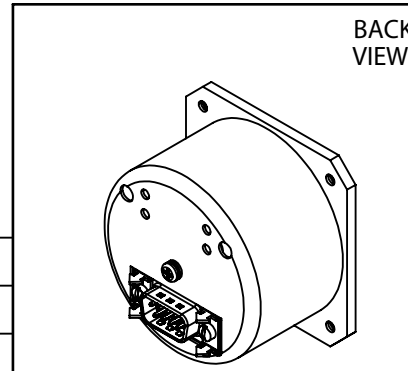
--REVISION HISTORY--

REV	DATE:	DESCRIPTION:	APPD:
0	07/01/13	RELEASED	BFT



DAVTRON
A Leader in Digital Avionics
OFFICIALLY RELEASED DRAWING
CHECKED: *Keri Tombl*
CHECKED: *Hal Waiber*
APPROVED: *Paul Tombl*

- NOTES:
1. MOUNTING DIMENSIONS STANDARD ARICRAFT 2ATI TYPE.
 2. UNIT WEIGHT 4.4 OUNCES OR 135 GRAMS MAX.



DRAWN BY:	DATE:
VAN	05/20/13
CHECKED BY:	DATE:
KET	05/20/13
CHECKED BY:	DATE:
RGW	05/20/13
APPROVED BY:	DATE:
BFT	07/01/13

DAVTRON INC.
A Leader in Digital Avionics

TITLE: **OVERALL DIMENSIONS**

MATERIAL: -

DIMENSIONS ARE IN INCHES
TOLERANCES ARE DECIMAL
.X±.1 .XX±.05 .XXX±.005
ANGLES ±2°

PROJ:

CAGE# 63131 SCALE: 1/1 SIZE B
REV: 0 SHEET: 1 OF 1

DRAWING NUMBER: **850B-001-01**

ITEM#	QTY.	DAVTRON PART NO.	DESCRIPTION
②	1	M850B-2	STANDARD BLACK INTERNAL MOUNT DIGITAL CLOCK
①	1	M850B	STANDARD BLACK FRONT MOUNT DIGITAL CLOCK

--LIST OF MATERIALS--