

45
YEARS
of
INNOVATION



MID-CONTINENT[®]
I N S T R U M E N T S
.....



Weighs less. Costs less. Charges faster.

Introducing the MD800 Series Emergency Power Supply.

	MD800 Series		Competing Power Supply	
Model	MD835	MD855	PS-835	PS-855
Voltage Output	24.5 VDC	24.5 VDC 5 VDC lighting	24.0 VDC	24.0 VDC 5 VDC lighting
Capacity (1c rate)	4.5 amp-hours	4.5 amp-hours	4.2 amp-hours	4.2 amp-hours
Weight	4.8 lbs	4.8 lbs	13.0 lbs	13.4 lbs
Maintenance	2 years	2 years	1 year	1 year
Life Expectancy	10 years	10 years	3 years	3 years

Product Comparison

An industry first — Mid-Continent Instruments brings you the first emergency power supply featuring Lithium Nanophosphate™ technology. The MD800 Series weighs merely 4.8 pounds – 8 pounds less than the competition. It charges faster, costs less and has an improved ten-year life expectancy. Did we mention it uses the same mating connector and install rack as existing power supplies? Never underestimate the *power* of innovation.

KANSAS 800.821.1212

CALIFORNIA 800.345.7599

www.mcico.com



EMERGENCY POWER SUPPLY

MD800 SERIES

MANUFACTURED BY MID-CONTINENT INSTRUMENTS

FEATURING
**Lithium
Nanophosphate™**
TECHNOLOGY



MD835

- In the event of aircraft power failure, the MD800 series automatically supplies 24.5 VDC power for critical or standby equipment
- 4.5 Amp-hour battery with friendly Lithium Nanophosphate™ cell chemistry
- Lightweight 4.8 lbs. – 8 lbs. less than legacy lead acid designs
- Input Voltage: 24–32 VDC
- MD855 model available in 2011 with adjustable 5 VDC output for emergency lighting
- Direct replacement for PS-835/PS-855 or forward-fit installations
- Minimal scheduled maintenance required
 - 2-year capacity check
 - 10-year replacement life
- Dimensions (approx.): 3.1”H x 12.6”L x 2.3”W
Mounts in standard ¼ ATR Rack
- Maintains full charge by recharging during normal flight operations
- Remote mounted self-test switch required
- FAA TSO C179 certified
- Part 23 AML STC pending
- Qualified to RTCA/DO-160F and RTCA/DO-311
- Designed and built in Wichita, Kansas, USA
- One year limited warranty

Kansas
 9400 E. 34th Street North
 Wichita, KS 67226 USA
 Tel 800-821-1212 316-630-0101
 Fax 316-630-0723
 mci@mcico.com



MID-CONTINENT

INSTRUMENTS



WWW.MCICO.COM
 WWW.LIFESAVERGYRO.COM

California
 16320 Stagg Street
 Van Nuys, CA 91406 USA
 Tel 800-345-7599 818-786-0300
 Fax 818-786-2734
 mcw@mcico.com

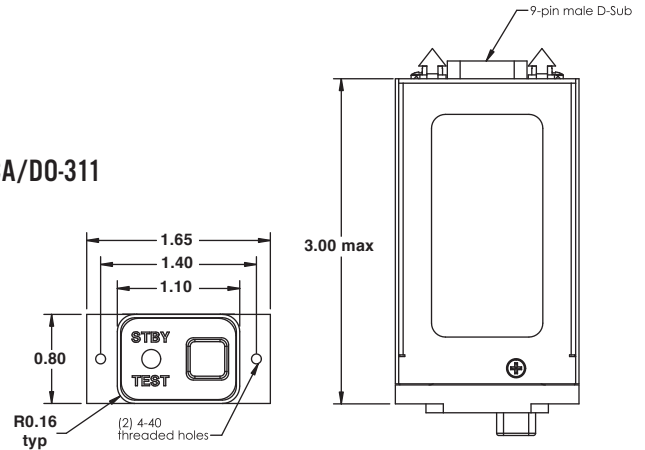
EMERGENCY POWER SUPPLY

MD800 SERIES

MANUFACTURED BY MID-CONTINENT INSTRUMENTS

SPECIFICATIONS

Input:	24–32 VDC, 5.0 Amps max.
Output:	24.5 VDC nominal, 20 Amps max.
Protection:	Field Replaceable Fuse
Battery Capacity:	4.5 Amp-hours nominal
Lighting Output (MD855 only):	0–5 VDC adjustable, 5 Amps max.
Certification:	FAA TSO C179 Qualified to RTCA/DO-160F and RTCA/DO-311
Connector:	DPBX-13-34P-0101
Color:	Case: Black
Weight:	4.8 lbs.
Scheduled Maintenance:	2 years
Life Expectancy:	10 years

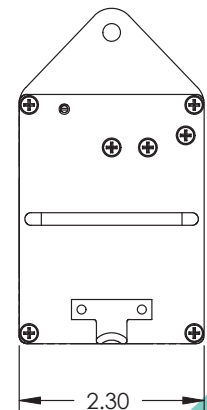
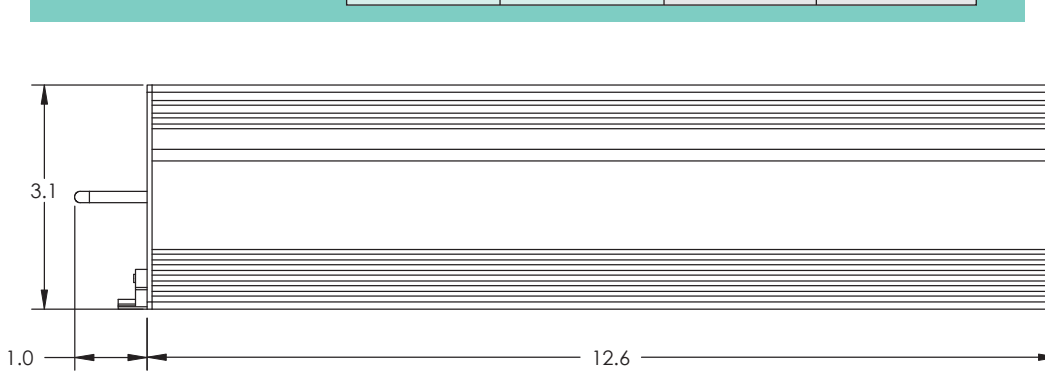
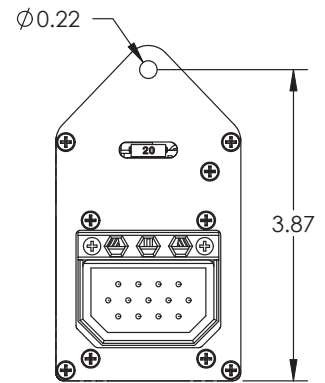


Remote mounted self-test switch

INSTALLATION REQUIREMENTS

Mating Connector:	DPBX-13-33S-0101
Rack Mount Installation:	¼ ATR Rack

Product Comparison	Mid-Continent Instruments		L-3 Avionics Systems	
	MD835	MD855	PS-835	PS-855
Voltage Output	24.5 VDC	24.5 VDC 5 VDC Lighting	24.0 VDC	24.0 VDC 5 VDC lighting
Capacity (1c rate)	4.5 amp-hours	4.5 amp-hours	4.2 amp-hours	4.2 amp-hours
Weight	4.8 lbs	4.8 lbs	13.0 lbs	13.4 lbs
Maintenance	2 years	2 years	1 year	1 year
Life Expectancy	10 years	10 years	3 years	3 years



MID-CONTINENT
INSTRUMENTS

WWW.MCICO.COM
WWW.LIFESAVERGYRO.COM