



## Mounting instruction for anti collision light (ACL4) Electronic Anti Collision Light for ultra-light aircraft

Dear customer,  
the electronic anti collision light 4 (ACL4) is a highly innovative product which contributes to save airspace.

The new LED technology allows an incredibly excellent, red light with only approx. 10% of the input power compared with conventional lights. The casting in a high-optical plastic makes the ACL absolutely insensitive against water, vibrations and other environmental influence. The efficiency of the output is much higher, than with conventional electric light bulbs. The self-warming of the ACL is low and can be determined as safe. To avoid overheating, the heat balance is controlled electronically.

The ACL4 has additionally a serial FLARM-Interface. With this interface (19.200 Baud, 8 Bit, No Parity, 1 Stop-Bit) a Power-FLARM unit can send the emergency level (0-3) and thus control the action replay of the ACL4. **Important:** connect the shielding of the cable only at the ground of the Power-FLARM to avoid buzz loops and therefore interferences.

The ACL4 is part of our energy strategy „Intelligent Synchronisation“. This increases the visibility of aircrafts and improves the energy management at once. Available elements of the Intelligent Synchronisation are: EPL2, EPTA-LSA, ELL50, ELL60, ELL80is, ERBis, ERB-His, ERB-SFi, ERB2, ACL4.

This anti collision light for ultra light aircraft is designed to be mounted at a suitable position at the tail unit or at the top of the stabilizer. Please adhere to the following instructions for a professional mounting of the ACL. The illumination angle complies to the regulations for general aviation.

### Required materials and tools

- 3-core twisted cord, according to the length of fuselage (5 - 8 meters)
- shielded cable for FLARM-Interface
- clear silicone
- 2 screws, approx. Ø 4 mm x 30 - 35-mm length
- soldering iron, tin solder
- shrink hose (enclosed)

### Recommendations

#### Cable

We recommend a double core, flexible and twisted cable with a cross section of at least 1.5 mm<sup>2</sup> and minimum 0,5 mm<sup>2</sup> for synchronisation cable. In case of doubt, you can order the suitable cable from Thiesen Electronics GmbH. Use a single-wire shielded cable for the FLARM-Interface.

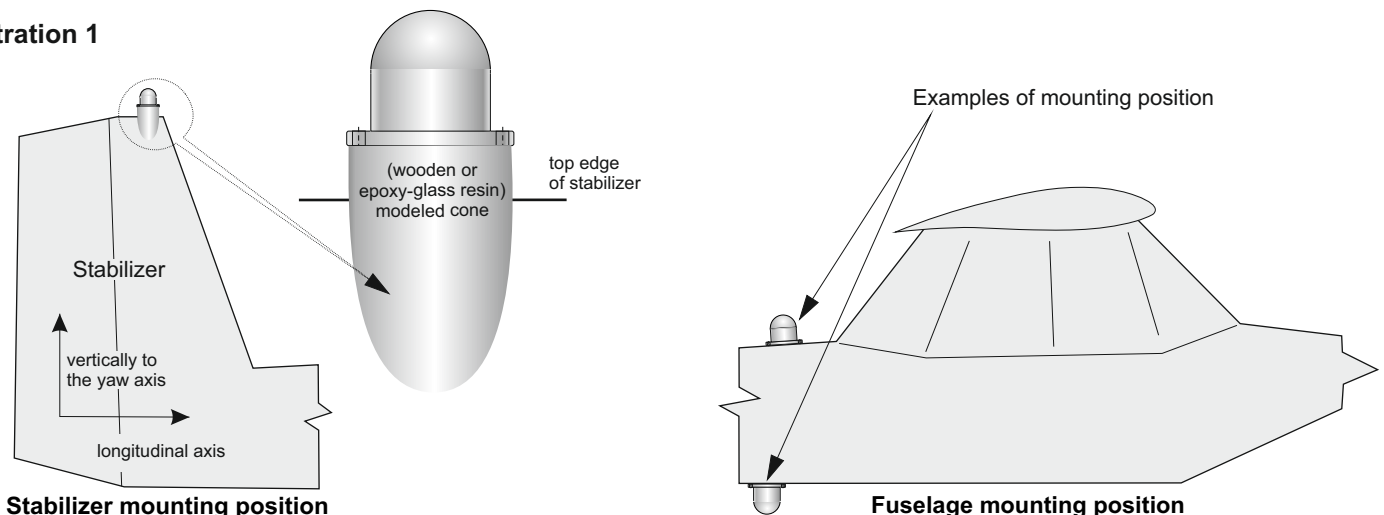
#### Adhesion

We recommend standard silicon in a tube. It is available in do-it-yourself markets. This adhesion is strong and in case of a dismantling you only need a sharp knife. We strongly advise against using other kinds of adhesion, like polyester or epoxy resin.

#### Mounting

Use 2 metal screws (Ø 4 mm x 30 - 35 mm) to fix the ACL and a thin layer of silicon to paste it to the required position. By the use of silicon twisting of the ACL is prevented and sealing against dirt and water is guaranteed. **Use only screws that do not corrode!** The ACL must be mounted parallel to the longitudinal axis and vertically to the yaw axis of the aircraft (see illustration 1).

### Illustration 1



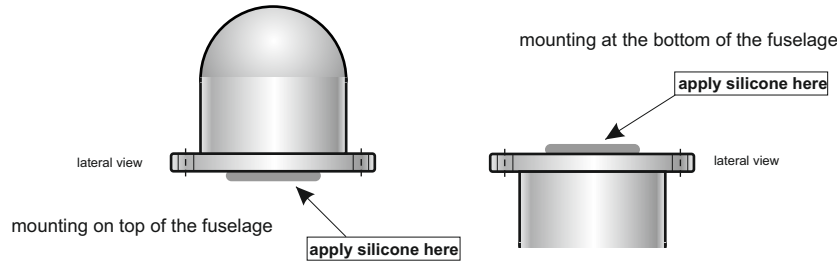
## Pasting

Apply only as much silicone as required to paste the ACL plane (see illustration 2).

After fixing the EPL to the required position, slightly tighten the screw. With your moistened finger using dish liquid clean off any laterally dispensable silicon, a smooth transition can be modeled between the wing and the ACL.

Silicone needs time to cure (vaporization of acetic acid). The best results are achieved at a temperature of 20° Celsius (68° Fahrenheit). Just follow the handling instructions of the silicone. The final firmness (stability) will be reached after a few days.

## Illustration 2



## Electric power supply / cable connection to the aircraft system (12 Volts)

The best connection is solder with additional shrinking of the soldering joint with a shrink hose (enclosed). Only use solder for electronic soldering never use cored solder. It contains acids which cause corrosion!

## Synchronisation

The ACL4 has an additional yellow synchronisation cable to synchronize with EPL2, EPTA, ELL50, ACL3is, ERBis, ERB-SFi. Just connect the yellow cables. The intelligent synchronisation scales the light pulse (and thereby the current pulse). This will prevent the battery respectively the generator by constant current consumption. If you do not use the synchronisation, connect the yellow cable with +12V (red cable).

## Important notes

Carefully mount the cables inside the rudder and/or the fuselage. Connect the cables professionally to the aircraft system (**red = positive, black = negative, yellow = synchronisation, green = FLARM**) and to a 5 Amps fuse protection. Luster terminals are not suitable to connect cables. There is a good selection of suitable crimp connections in various shops.

The ACL is provided with overload protection. In case of over voltage the protector switches the ACL off. After reset or voltage drop the ACL is again fully functional. The automatic overload protector shall be activated at a voltage above 18 Volts. (If the voltage reduces to a value below 18 Volts, the ACL will again be functioning)

## Servicing / maintenance

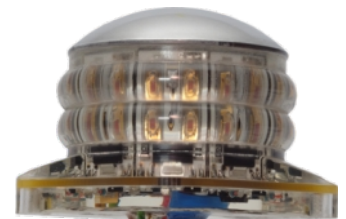
For additional UV protection, use varnish. Should the ACL be scratched, use a good polish to refurbish the damages. With slightly deeper scratches use wet sandpaper with very fine granulation (800-1000) carefully polish again. Do not use aggressive chemicals like gasoline or solvent.

### For day to day cleaning use soap water!

Some insect removers and detergents forces embrittlement of epoxy based plastics and laminates. Use only aircraft certified products. **If the aircraft can not hangarized, please cover the lamps to prevent surface aging!**

## Technical data

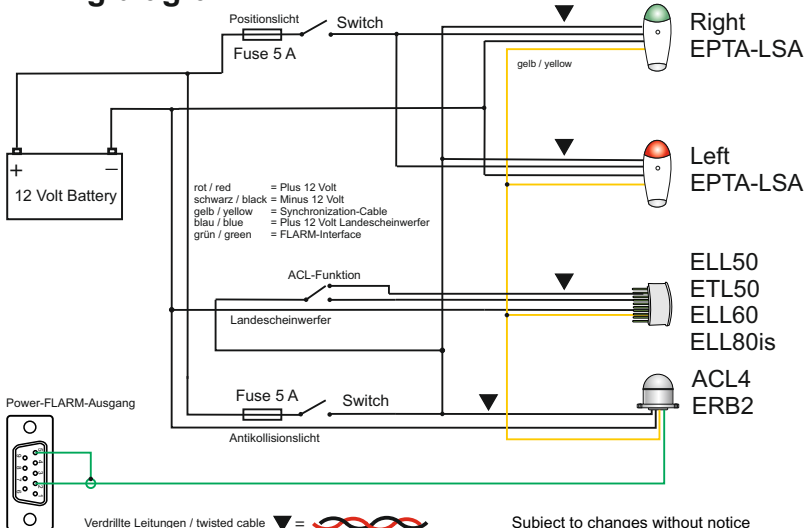
Operating voltage: 10-17 volts (DC), typically 12.8 - 13.4 volts  
 Input : approx. 10 watts  
 Fuse : 5 ampere (fusible cut-out or automatic fuse)  
 Dimensions : 61 x 44 x 39 mms  
 Drill hole : 4.5 mm  
 Weight : approx. 85 grams with connecting cables  
 Warranty : 5,000 operating hours or max. 3 years



**5.000 hours or max. 3 years assured luminous duration**

**Made in Germany**

## Wiring diagram:



Im Tiegel 9  
 36367 Wartenberg  
 Germany

Tel.: +49 (0) 66 41 - 979 - 0

eMail: [info@thiesen-electronics.com](mailto:info@thiesen-electronics.com)

[www.thiesen-electronics.com](http://www.thiesen-electronics.com)

[www.flugzeuglichter.de](http://www.flugzeuglichter.de)



**THIESEN**  
 E L E C  
 TRONICS  
 G M B H