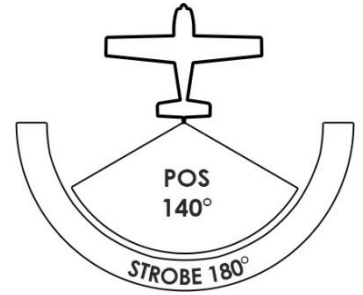


# PosiStrobe DayLite 28VDC™

Rear Position / Strobe LED light

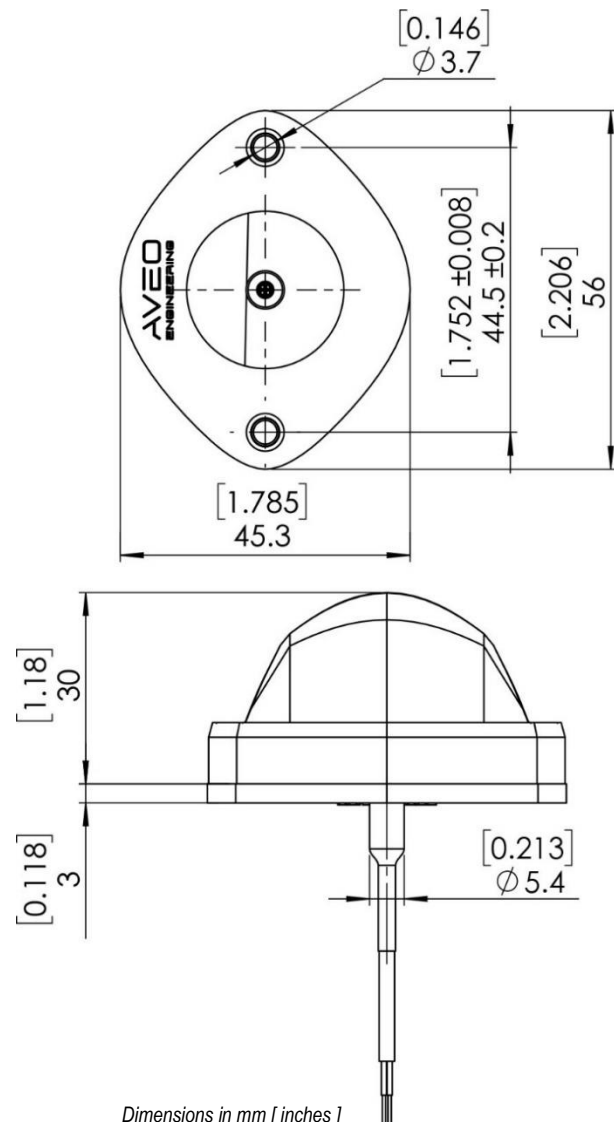
P/N: AVE-PSPSYW-D02



## Specification

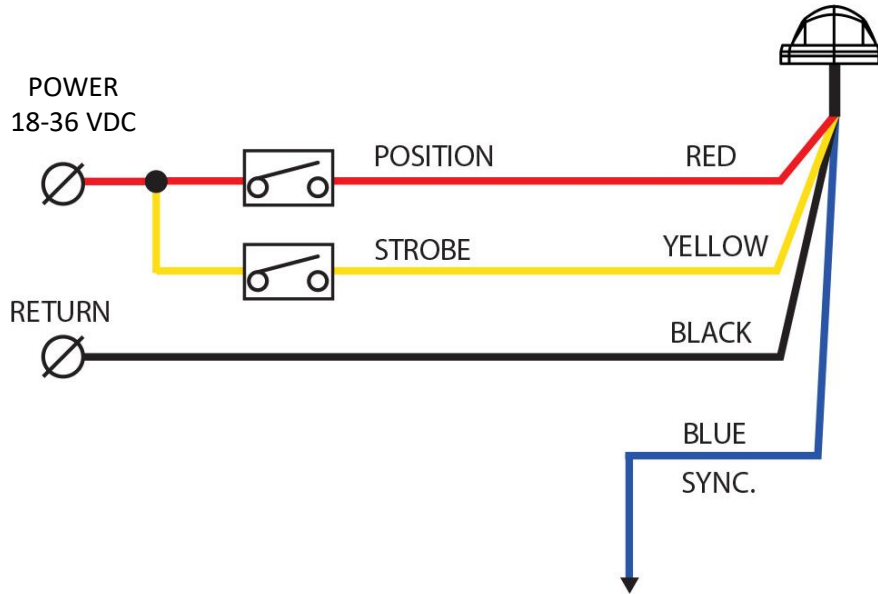
Dimensions (mm):	45.3 mm x 56 mm x 30 mm
Dimensions (inches):	1.785" x 2.206" x 1.18"
Weight:	67 g / 2.363 oz
Operating Voltage Range:	18 – 36 VDC
Input Current – Position:	0.15 A @28V
Input Current – Strobe:	1.76 A @28V (peak)
Average Current Consumption per Frame – Strobe:	0.29 A
Average Current Consumption per Frame – Pos and Strobe:	0.44 A
Input Power – Position	4.1 W @28V
Input Power – Strobe:	49.3 W @28V (peak)
Repetition Rate of Strobe:	48 cycles per minute
Fuse (Circuit Breaker) Recommendation:	5A for position 5A for strobe
Operating Temperature:	from -55°C to +85°C from -67°F to +185°F
Overheat Protection:	Yes (+85°C / +185°F)
Recommended Size of Mounting Screw:	M3, #6-32
Reverse Polarity Protection:	Yes
Transient Voltage:	60V at 2sec max, both polarities
Under-Voltage Protection (lockout):	Yes (18V)
Over-Voltage Protection (lockout):	Yes (36V)
Waterproof, Dust-proof, Vibration-proof:	Yes

## Drawing



# PosiStrobe DayLite 28VDC™

## Wiring Diagram



Wire length from base of unit 10.00 inch min.

- RED** - VCCP - AWG 22, Positive power supply line for position
- YELLOW** - VCCS - AWG 22, Positive power supply line for strobe
- BLACK** - GND - AWG 22, Common negative power supply line
- BLUE** - SYNC - AWG 22, Synchronization line

### Note:

- No external power supply or strobe unit
- Light synchronisation feature - Connecting the blue wires from each Aveo light together (and not to the ground or positive terminals on the battery) should make that the lights are flashing together
- All lights with common SYNC must be powered.

### Rate of Strobe:

