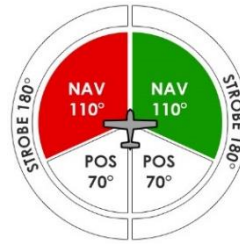


PowerBurst NG DayLite™

Navigation / Position / Strobe LED light



Often copied, never matched

WATERPROOF, VIBRATION PROOF

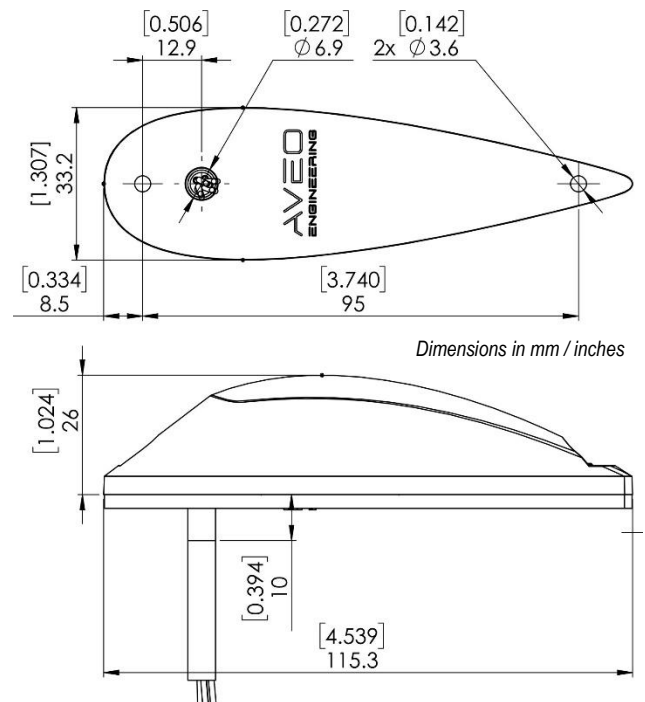
At only 26 millimeters in height (1.024 inch) the new PowerBurst NG™ DayLite is a value light that does not sacrifice anything in performance or standards as other economy-priced lights offered by the competition. Our exclusive and highly advanced optics and chrome reflector system, our unmatched power and LED management circuitry and our famous lowest-drag profile in the industry are all combined into a product that gives you unmatched POWER and FEATURES. Lower, narrower and shorter PLUS much lighter than industry lights in this category!



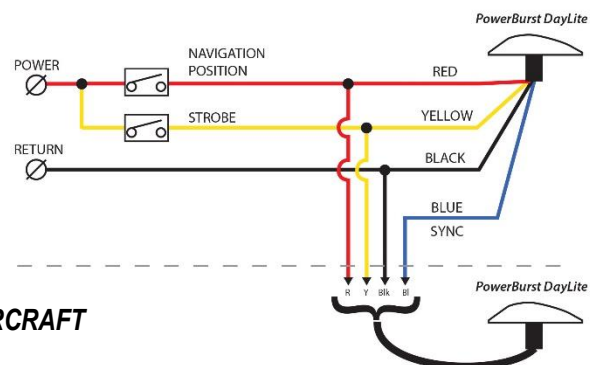
Specification

| | |
|--|---|
| Dimensions (mm): | 115 mm x 33 mm x 26 mm |
| Dimensions (inches): | 4.539" x 1.307" x 1.024" |
| Weight: | 64 g / 2.25 oz |
| Operating Voltage Range: | 9 – 18 V DC |
| Input Current – Position / Nav - green (@14V): | 0.28 A |
| Input Current – Position / Nav - red (@14V): | 0.23 A |
| Input Current – Strobe (@14V): | 2 A peak |
| Output Power – Position / Nav - green: | 3.3 W |
| Output Power – Position / Nav - red: | 2.5 W |
| Output Power – Strobe: | 24 W peak |
| Repetition Rate of Strobe: | 50 cycles per minute |
| Ambient Temperature: | from -40°C to +85°C from -40°F to +185°F |
| Overheat Protection: | Yes |
| Recommended size of mounting screw: | M3 / DIN 7984 |
| Torque requirement for screw M3 / DIN 7984: | 0.5 Nm |
| Reverse Polarity Protection: | Yes |
| Waterproof, Dust-proof, Vibration-proof: | Yes |

Drawing



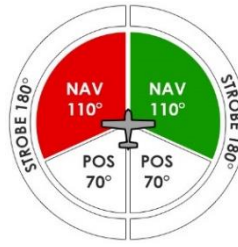
Wiring Diagram



**NOT APPROVED FOR INSTALLATION ON CERTIFIED AIRCRAFT
THIS IS NOT A TSO CERTIFIED LIGHT**

PowerBurst NG DayLite™

Navigation / Position / Strobe LED light



New color options!



Black Base:

Pair AVE-WPSTG/R-20D

P/N Left: AVE-WPSTR-20D Mod(2)
P/N Right: AVE-WPSTG-20D Mod(2)



White Base:

Pair AVE-WPSTG/R-2WD

P/N Left: AVE-WPSTR-2WD Mod(2)
P/N Right: AVE-WPSTG-2WD Mod(2)



Green/Red Bases:

Pair AVE-WPSTG/R-2GRD

P/N Left: AVE-WPSTR-2RD Mod(2)
P/N Right: AVE-WPSTG-2GD Mod(2)