

VACUUM DIRECTIONAL GYRO INDICATOR

MODEL RCA II

FAA TSO-C5c



AVAILABLE OPTIONS:

- LIGHTED OR NON-LIGHTED
- POWER FAILURE FLAG OPTIONAL
- HEADING BUG OPTIONAL

VACUUM OPERATIONS:

- STARTING VACUUM: 2 IN. OF HG. MAX.
- OPERATING VACUUM: 4 TO 6 IN. OF HG.
- AIR CONSUMPTION: 1.2 CU. FT./MIN.
- WILL OPERATE FROM VENTURI TUBE OR AIRCRAFT VACUUM SYSTEM.
- VACUUM GAGE CONNECTION

PERFORMANCE CHARACTERISTICS:

- AZIMUTH INDICATION RANGE: 360° (UNLIMITED)
- INNER AXIS LEVELING RANGE: $\pm 85^\circ$ MIN.
- ALTITUDE OPERATION: -1,000 TO +40,000 FEET

ACCURACY:

DRIFT ERROR: 4° MAX. AFTER 10 MINUTES OF $\pm 1.5^\circ$ SCORSBY MOTION.

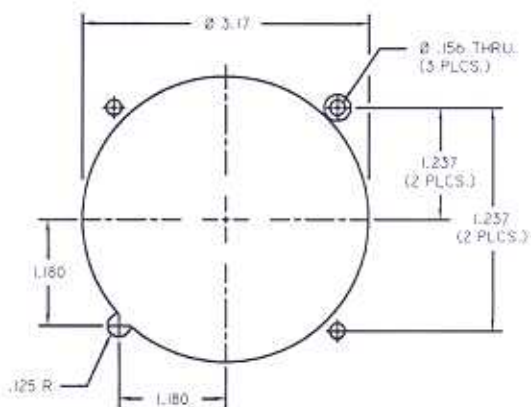
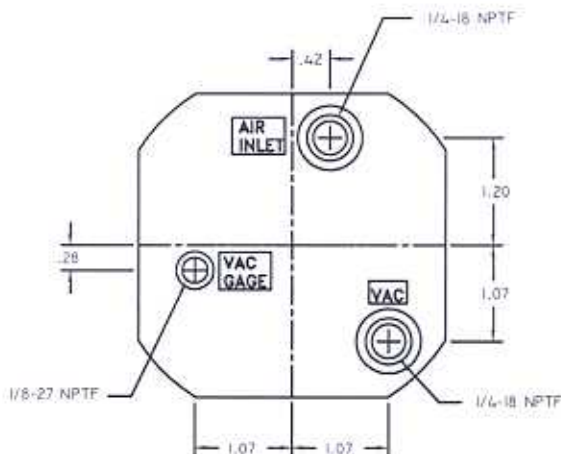
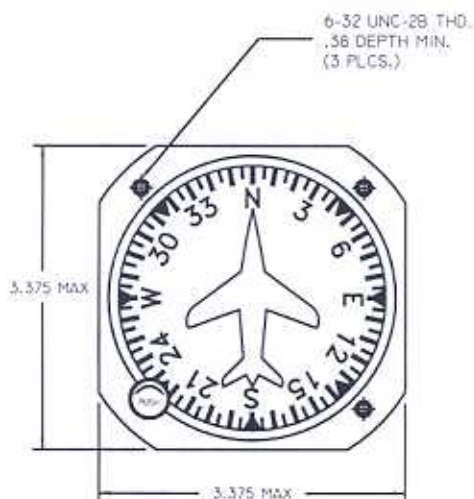


FEATURES:

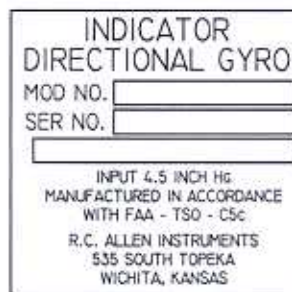
- LIGHTWEIGHT - APPROXIMATELY 2.9 POUNDS
- EASILY INSTALLED IN 3 1/8 INCH PANEL CUTOUT
- MATCHED COMPANION TO MODEL RCA 22 GYRO HORIZON INDICATOR

KELLY MANUFACTURING COMPANY

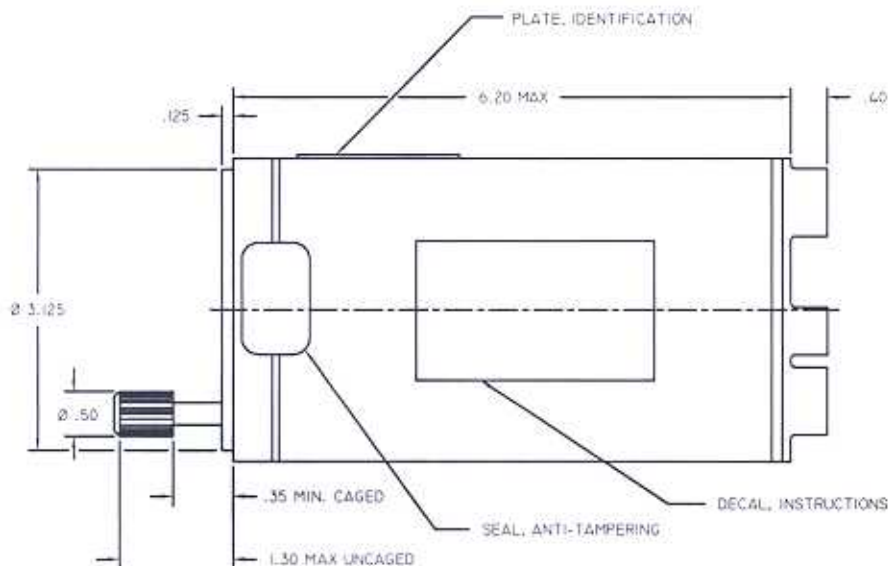
DIRECTIONAL GYRO INDICATOR (AIR DRIVEN)



PANEL CUTOUT
REAR MOUNTING



IDENTIFICATION PLATE



RCA II - SERIES

KELLY MANUFACTURING COMPANY
MANUFACTURER OF R.C. ALLEN INSTRUMENTS
555 S. TOPEKA
WICHITA, KS 67202