

## RCA2610 SERIES FEATURES

### SELECT FROM:

- DIGITAL SLIP INDICATOR
- DIGITAL RATE OF TURN INDICATOR
- INTERNAL BATTERY BACKUP

INTERNAL  
**BATTERY  
BACKUP**

SIMPLE  
SAFE  
CERTIFIED



The **RCA2610 Series Digital Horizon** is the culmination of more than 10 years of innovation from **RC Allen**. The **RCA2610** has a standard display that includes a **Digital Slip Indicator** and **Rate of Turn Indicator**. Both the three-inch version and the two-inch version come with an optional **Internal Battery Backup**. An **NVIS Night Vision** compatible Filter option is also available.

The **Pitch Sync** feature allows pilots to instantly synchronize the airplane symbol to the horizon line when flying in a pitch up or pitch down attitude.

A popular model for General Aviation aircraft is the **RCA2610-G** version. This unit comes without the **Pitch Sync** feature which functions like the original model with the brightness controls only. Order: **RCA2610-3-G** (3 inch) or **RCA2610-2-G** (2 inch). See our catalog for part numbers.

The **RCA2610** is designed to handle the high vibration environment found on helicopters and yet, their light weight makes them perfect for soaring. This makes the **RCA2610** the most versatile and dependable Digital Attitude Indicator on the market today. With no moving parts to wear out, this instrument will provide years of reliable service. That's why we include a full two-year warranty!

The **Digital Slip Indicator** or the optional **Mechanical Slip Indicator** (P/N 444-0010-01) can be ordered to satisfy FAA AC91-75.

- DIGITAL SLIP INDICATOR
- DIGITAL RATE OF TURN
- PITCH SYNC OPTION
- INTERNAL BATTERY BACKUP OPTION
- MULTI-VOLT OPERATION (9 TO 32 VOLTS)
- DO160 VIBRATION CERTIFIED
- FITS STANDARD PANEL CUTOUT
- TOTALLY SELF-CONTAINED
- SOLID-STATE - NO MOVING PARTS
- 3 AND 2 INCH MODELS AVAILABLE
- ADJUSTABLE BRIGHTNESS
- NVIS NIGHT VISION COMPATIBLE OPTION
- BLACK ANODIZED BEZEL
- LIGHTWEIGHT 2"= 4.5 oz. & 3"= 6.5 oz.
- FULLY FAA CERTIFIED

**2 YEAR WARRANTY!**

### CONFIGURATIONS:

- With Digital Slip and Digital Rate of Turn Indicators.
- Attitude Indicator with Digital Slip Indicator only.
- Attitude Indicator only (mechanical Slip Indicator optional).

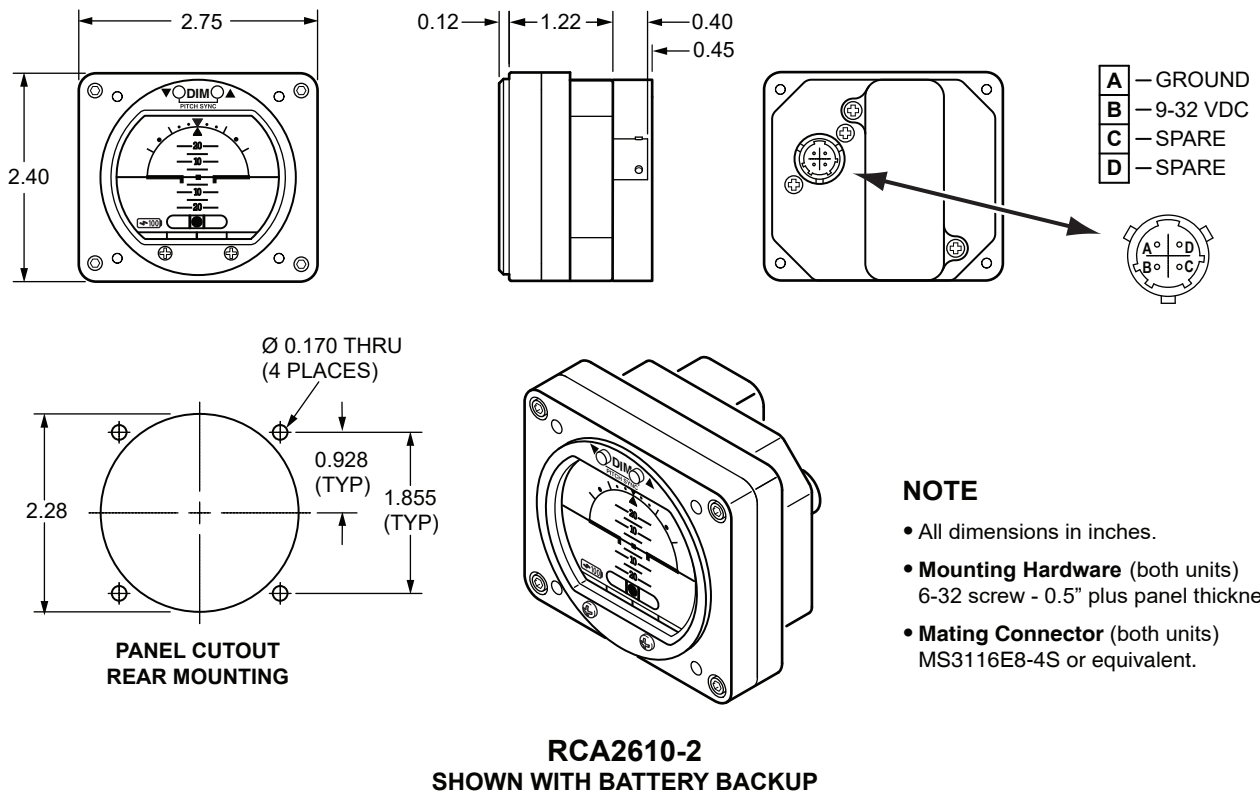
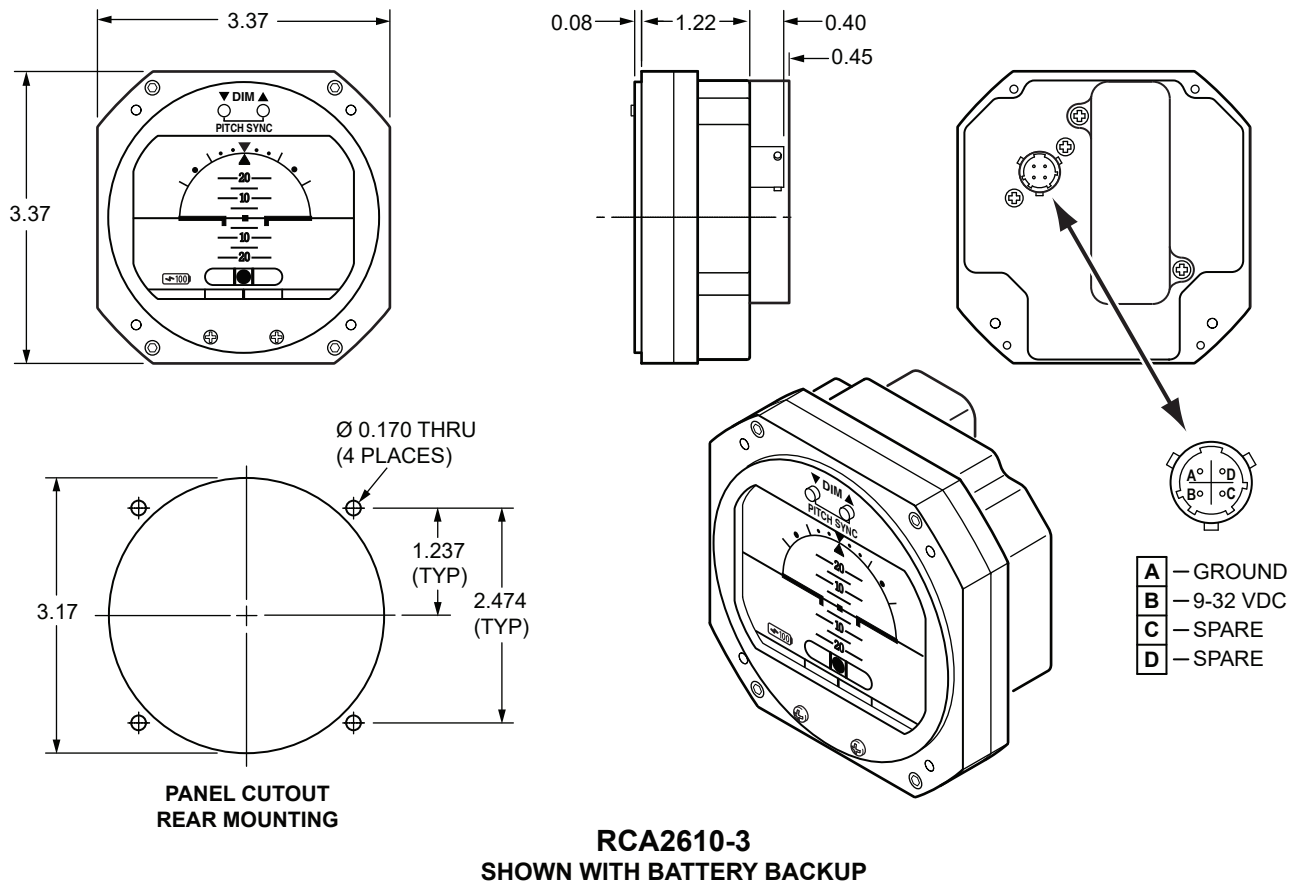
All configurations are available with the Internal Battery Backup option.

Combine the **RCA2610** with the **RCA1510** Heading Indicator to make...

*The  
Digital Duo!*



March 2024



### NOTE

- All dimensions in inches.
- **Mounting Hardware** (both units)  
6-32 screw - 0.5" plus panel thickness
- **Mating Connector** (both units)  
MS3116E8-4S or equivalent.

Figure 1, General Dimensions of the RCA2610-3 and RCA2610-2