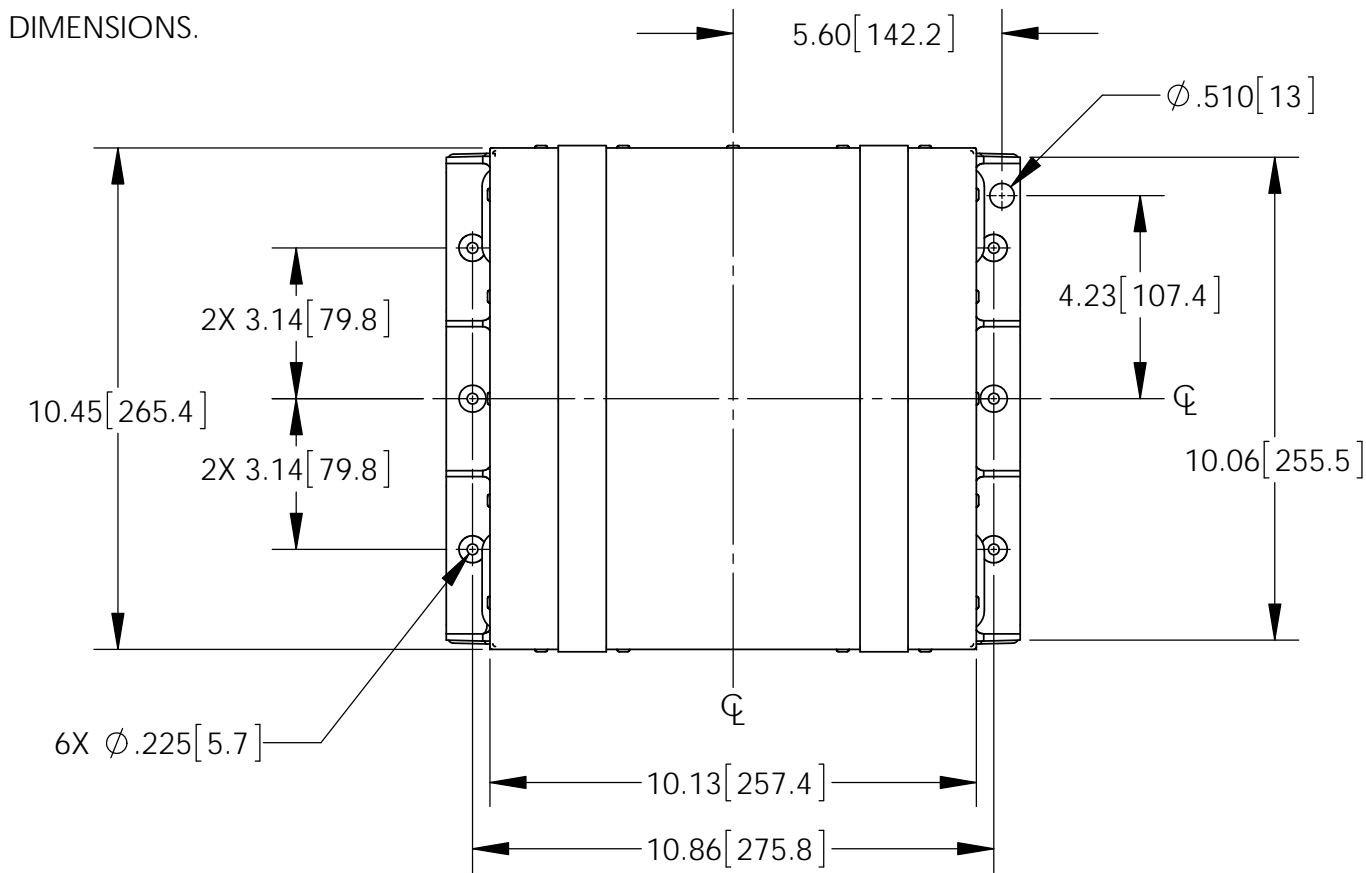


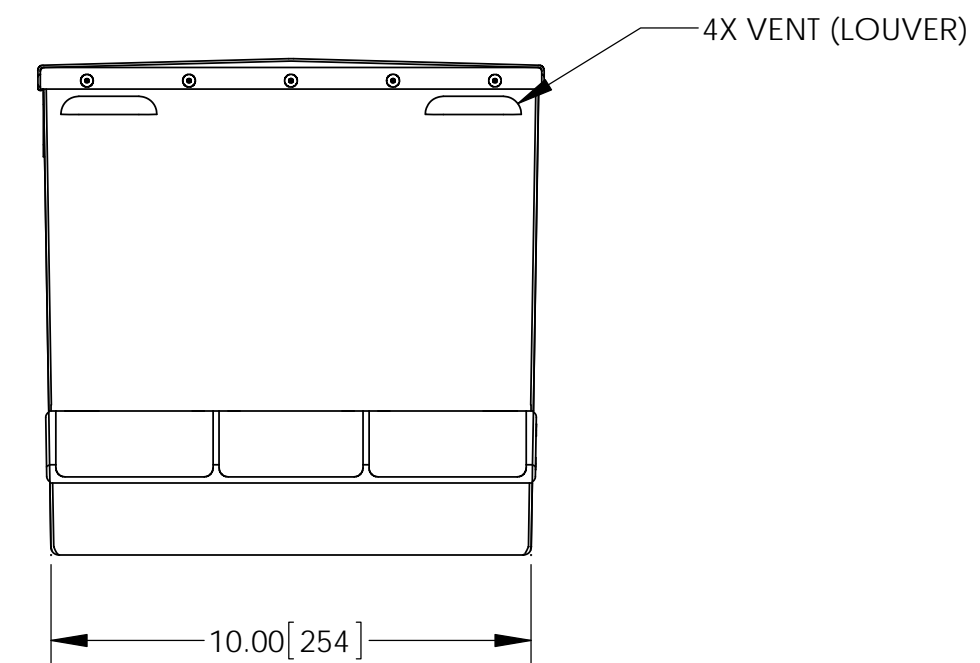
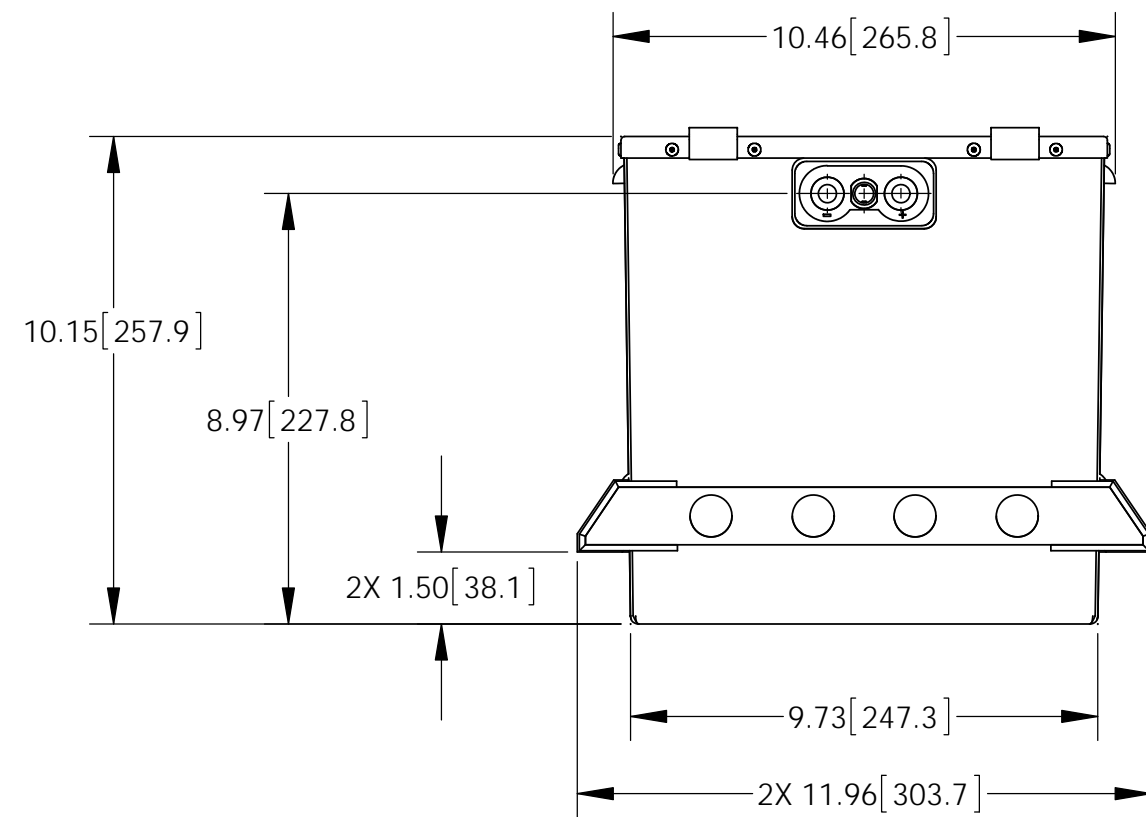
NOTES: UNLESS OTHERWISE SPECIFIED

1. MANUFACTURED AND INSPECTED IAW AS9100 QUALITY SYSTEM REQUIREMENTS.
2. SEE DRAWING NO. CB-00432 AND PROCEDURE P-1000 FOR ASSEMBLY AND TEST INSTRUCTION. PROCEDURES AND ASSEMBLY DRAWINGS ARE FOR INTERNAL USE ONLY.
3. BATTERIES ARE RATED IAW INTERNATIONAL ELECTROTECHNICAL COMMISSION STANDARD 60952-1 AND RTCA STANDARD DO-293A, UNLESS OTHERWISE NOTED.
4. ABBREVIATION USED IN TITLE IS: VALVE REGULATED SEALED LEAD ACID (VRSLA).
5. DIMENSIONS ARE INCH [MILLIMETER].
6. COVER FASTENERS EXTEND .050[1.3] BEYOND COVER DIMENSIONS.

REVISIONS			
REV	DESCRIPTION	DATE	APPROVED



PART NUMBER	RG-380E/40D
MAXIMUM WEIGHT	85.3 LBS [38.7 KG]
RATED CAPACITY, C	38 AH
POWER RATING AT 23° C	Ipp 1350 A, Ipr 1050 A
POWER RATING AT -18° C	Ipp 900 A, Ipr 750 A
POWER RATING AT -30° C	Ipp 650 A, Ipr 550 A



ENVELOPE DRAWING

UNLESS OTHERWISE SPECIFIED DIMENSIONS ARE IN INCHES TOLERANCES ARE:			CONTRACT NO.		CONCORDE BATTERY CORPORATION 2009 SAN BERNARDINO RD, W. COVINA, CA 91790		
FRACTIONS	DECIMALS	ANGLES	APPROVALS	DATE	TITLE		
±1/32	.XX ± .06 XXX ± .030	±1°	DRAWN D. AYALA	8/18/14	BATTERY, VRSLA, 24 VOLT, RG-380E/40D		
TREATMENT	NONE		CHECKED NS	8/27/14	SIZE	CAGE CODE	DWG NO.
FINISH	NONE		APPROVED JBT	9/30/14	C	63017	RG-380E/40D
SIMILAR TO	CALC WT		ISSUED BJ	10/6/14	SCALE	1:4	SHEET 1 OF 1