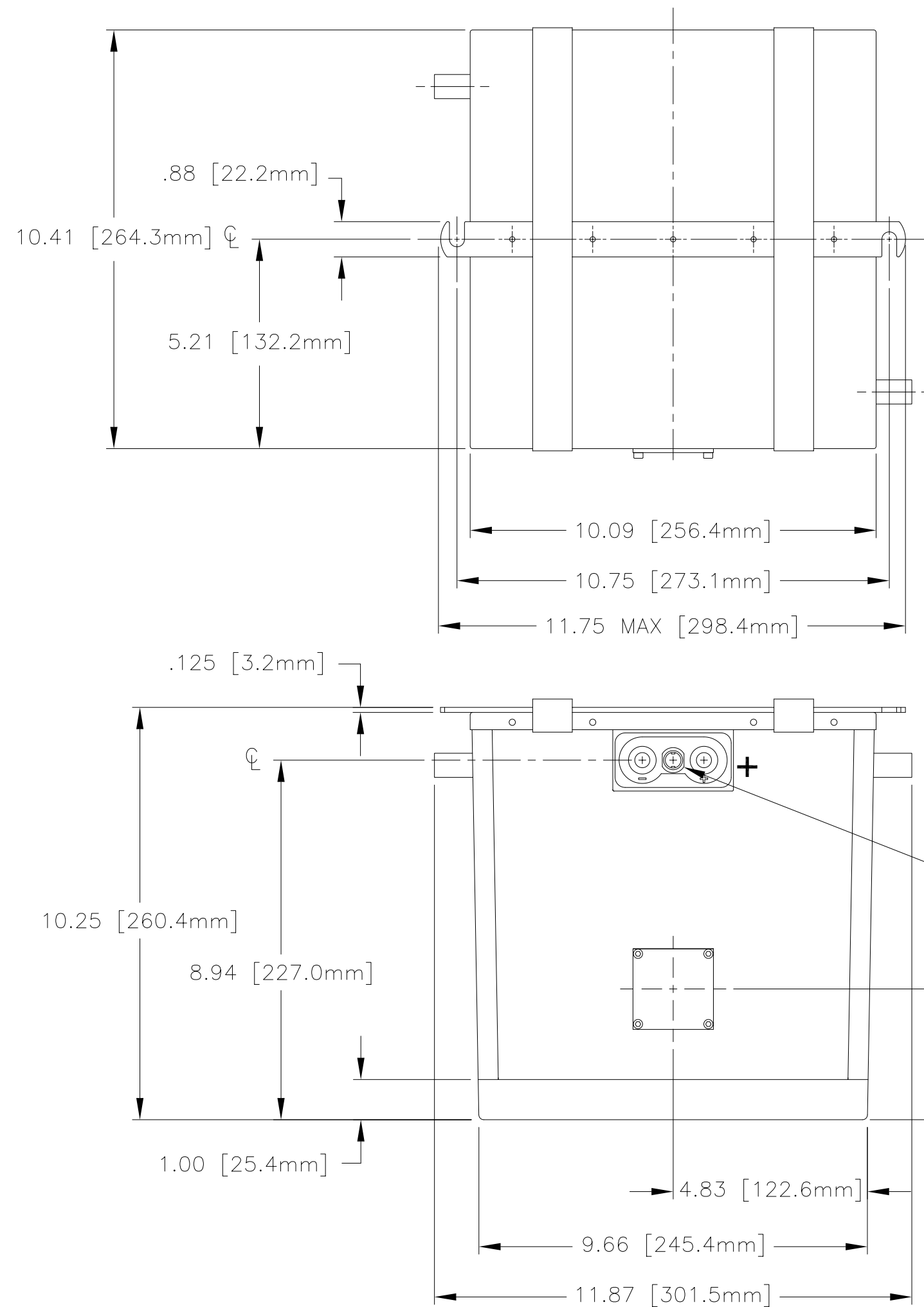


NOTES: UNLESS OTHERWISE SPECIFIED

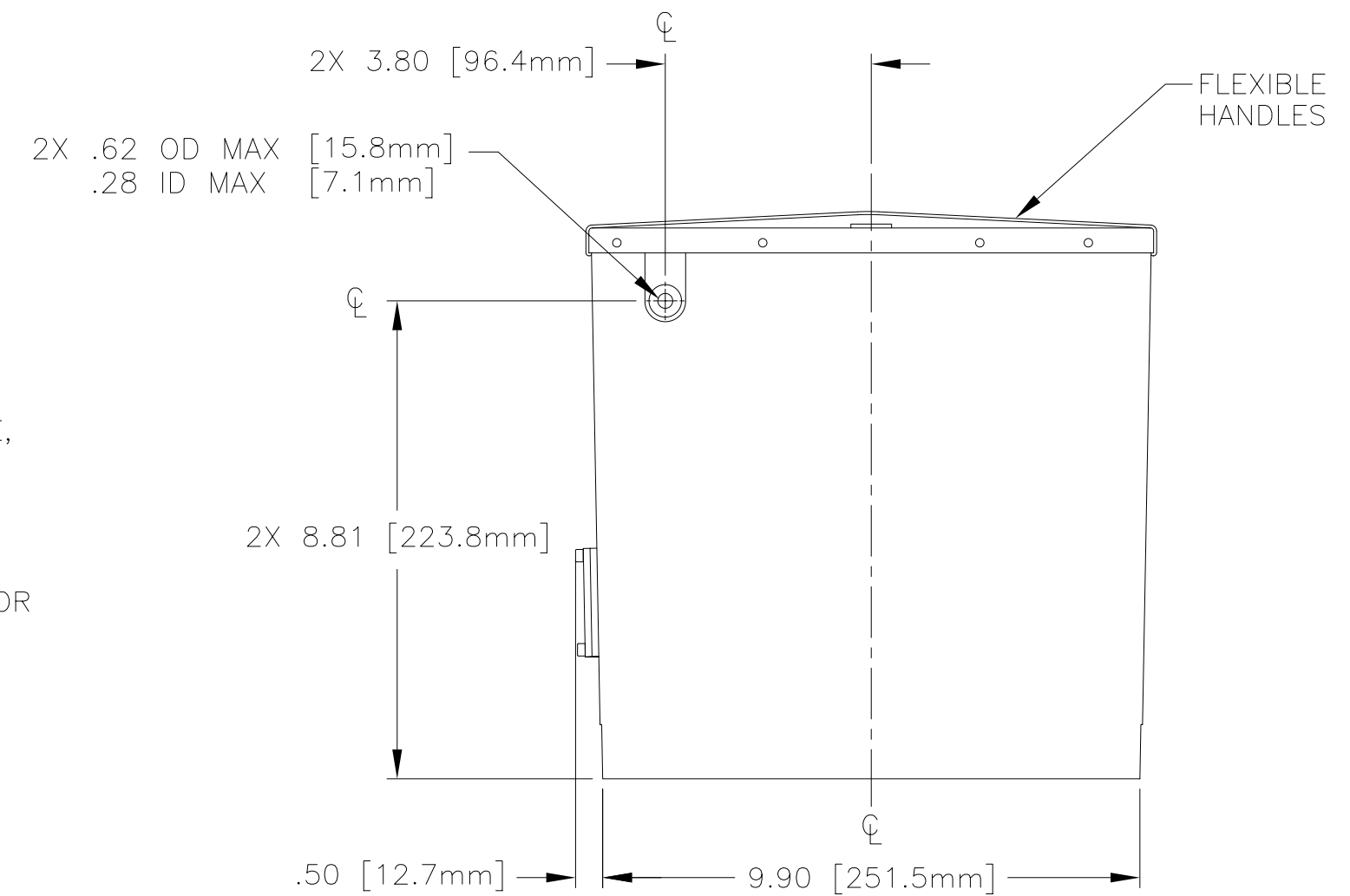
REVISIONS			
REV	DESCRIPTION	DATE	APPROVED
K	SEE DCN RG380ELK	11/4/03	JBT

- ABBREVIATION USED IN TITLE IS: VALVE REGULATED SEALED LEAD ACID (VRSLA).
- BATTERY CONFORMS TO THE DESIGN REQUIREMENTS OF 14 CFR PARTS 23.1353, 25.1353(c), 27.1353, 29.1353(c).
- INSPECT PER FAR 21.303(h) QUALITY SYSTEM.
- "FIRE RESISTANT" EXTERNAL CONTAINER CONSTRUCTED OF 5052 ALUMINUM ALLOY.
"S" SUFFIX DENOTES A FIRE PROOF STAINLESS STEEL EXTERNAL CONTAINER (EX: RG-380E/40LS).
FOR LS VERSIONS, SST EXT CONTAINERS, ADD 2.0 LBS [0.9 KG]

- SEE DRAWING NUMBER CB-00224 AND PROCEDURE P-1000 FOR ASSEMBLY AND TEST INSTRUCTIONS. PROCEDURES AND ASSEMBLY DRAWINGS ARE FOR INTERNAL USE ONLY.
- BATTERIES ARE RATED IAW INTERNATIONAL ELECTROTECHNICAL COMMISSION STANDARD, 952-1 UNLESS OTHERWISE NOTED.
- DIMENSIONS ARE IN INCH[MILLIMETERS].
- BATTERY MAY BE FITTED WITH CONCORDE TS-XX SERIES TEMPERATURE SENSOR.



PART NUMBER	RG-380E/60L	RG-380E/44L	RG-380E/40L
MAXIMUM WEIGHT	96 LBS [43.6 KG]	89 LBS [40.4 KG]	84 LBS [38.1 KG]
RATED CAPACITY, C ₁	48 AH	42 AH	38 AH
POWER RATING AT 23°C	lpr 1256 A, lpp 1949 A	lpr 1204 A, lpp 1580 A	lpr 881 A, lpp 1252 A
POWER RATING AT -18°C	lpr 950 A, lpp 1485 A	lpr 799 A, lpp 1194 A	lpr 470 A, lpp 1225 A
POWER RATING AT -30°C	lpr 715 A, lpp 1411 A	lpr 608 A, lpp 778 A	lpr 313 A, lpp 662 A
MINIMUM CAPACITY FOR AIRWORTHINESS	40.8 AH	35.7 AH	32.3 AH



ENVELOPE DRAWING

QTY	REQD	CAGE CODE	PART OR IDENTIFYING NO.	NOMENCLATURE OR DESCRIPTION	MATERIAL SPECIFICATION	ITEM NO.
PARTS LIST						
UNLESS OTHERWISE SPECIFIED DIMENSIONS ARE IN INCHES TOLERANCES ARE:				CONTRACT NO.		
FRACTIONS DECIMALS ANGLES				CONCORDE BATTERY CORPORATION		
± 1/32° .XX ± .06 ± 1°				2009 SAN BERNARDINO RD, W. COVINA, CA 91790		
.XXX ± .030				TITLE BATTERY, VRSLA, 24 VOLT, RG-380E/L(S) SERIES		
TREATMENT		NONE		APPROVALS		DATE
FINISH		NONE		DRAWN MENDOZA		9/29/95
SIMILAR TO		ACT WT CALC WT		CHECKED AMIII		12/11/95
				APPROVED KOSS		12/11/95
				ISSUED AT		11/20/03
				SCALE NONE		
				SIZE C		CAGE CODE 63017
				DWG NO. RG-380E/L		REV K
				SHEET 1 OF 1		