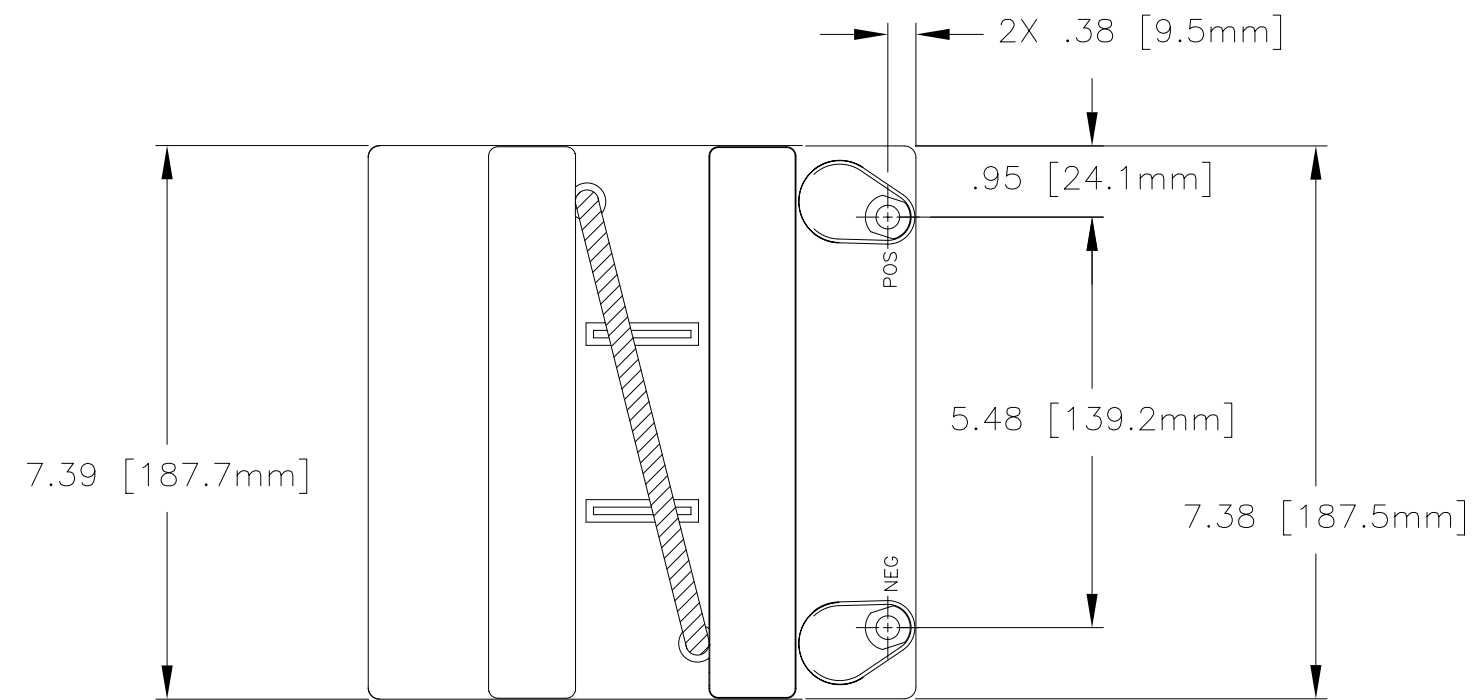


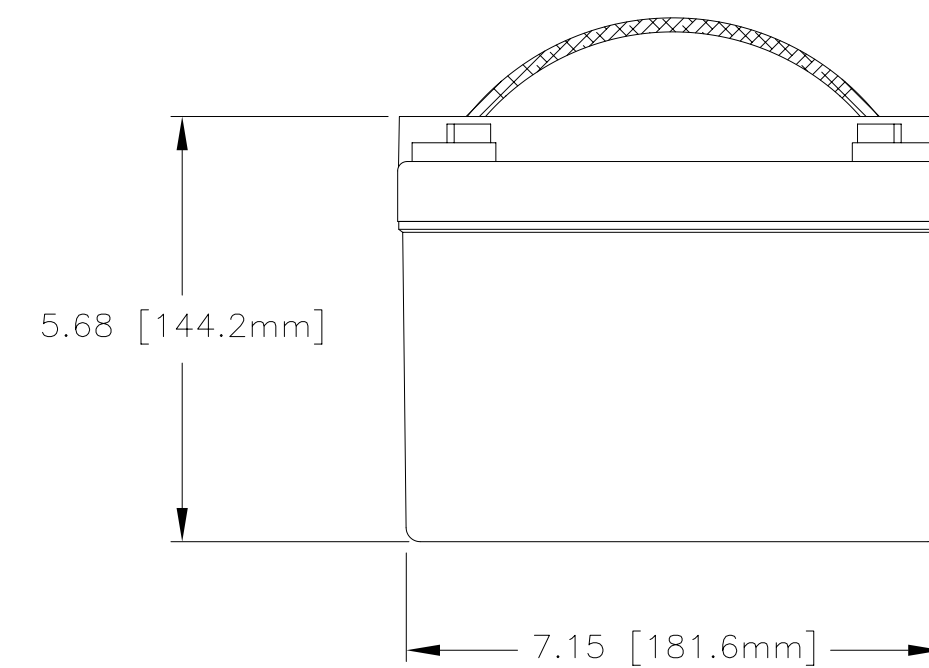
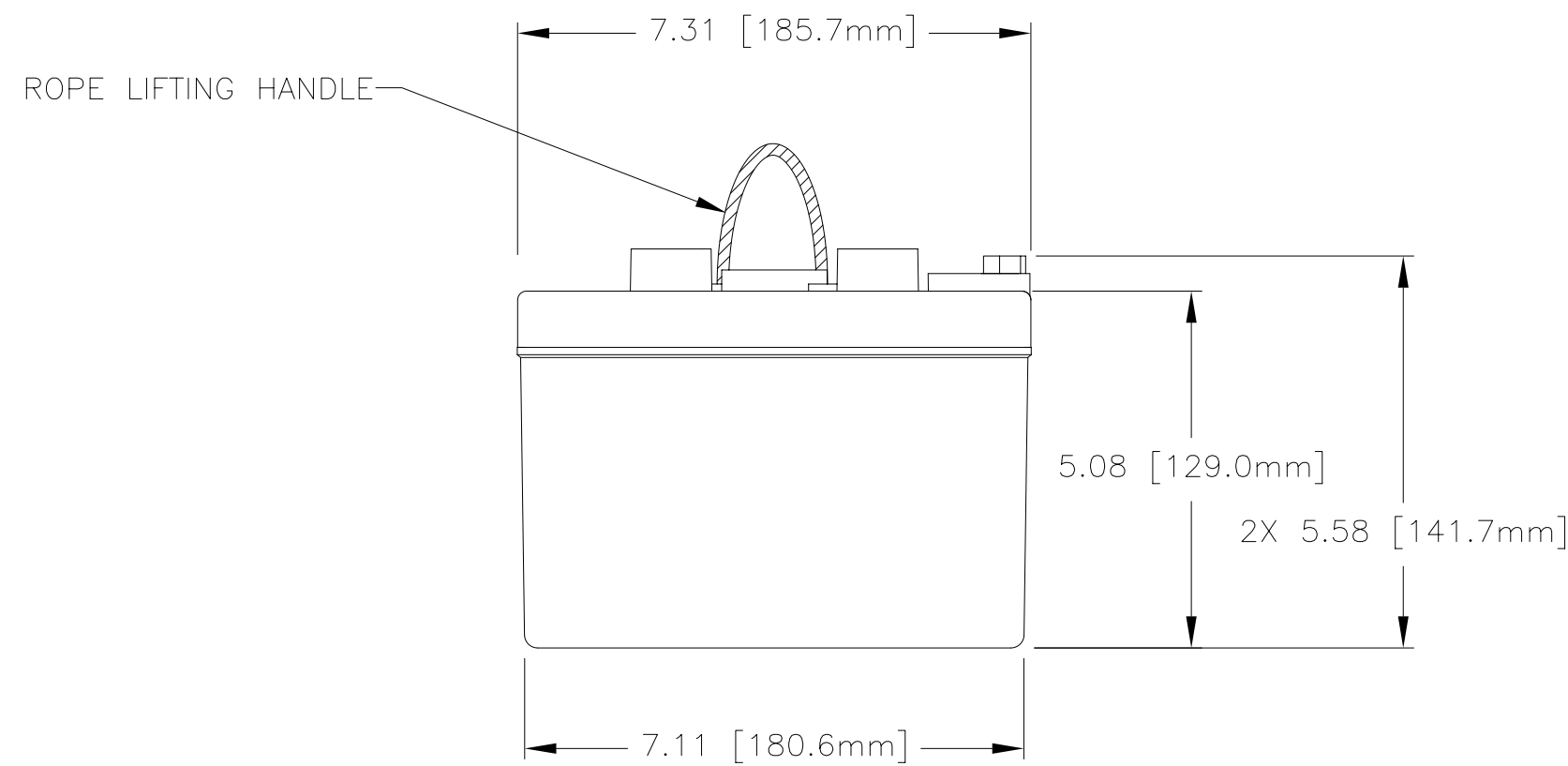
NOTES: UNLESS OTHERWISE SPECIFIED

- ABBREVIATION USED IN TITLE IS: VALVE REGULATED SEALED LEAD ACID (VRSLA).
- INSPECT PER FAR 21.303(h) QUALITY SYSTEM.
- BATTERY CONFORMS TO THE DESIGN REQUIREMENTS OF 14 CFR PARTS 23.1353, 25.1353(c), 27.1353, 29.1353(c).
- SEE DRAWING NUMBER CB-00350 AND PROCEDURE P-1000 FOR ASSEMBLY AND TEST INSTRUCTION. PROCEDURES AND ASSEMBLY DRAWINGS ARE FOR INTERNAL USE ONLY.
- TERMINAL HARDWARE KIT (CBC PN 9586) CONTAINS M8 HEX HEAD SCREWS AND CONICAL WASHERS.
- BATTERIES ARE RATED IAW INTERNATIONAL ELECTROTECHNICAL COMMISSION STANDARD 60952-1, UNLESS OTHERWISE NOTED.

REVISIONS			
REV	DESCRIPTION	DATE	APPROVED



PART NUMBER	RG24-16
MAXIMUM WEIGHT	29.5 LBS [13.4]
RATED CAPACITY, C ₁	13.6 AH
POWER RATING AT 23°C	I _{pr} 620 A, I _{pp} 930 A
POWER RATING AT -18°C	I _{pr} 320 A, I _{pp} 615 A
POWER RATING AT -30°C	I _{pr} 180 A, I _{pp} 390 A



ENVELOPE DRAWING

ENGINEERING COPY 03MAY06

QTY REQD	CAGE CODE	PART OR IDENTIFYING NO.	NOMENCLATURE OR DESCRIPTION	MATERIAL SPECIFICATION	ITEM NO.
PARTS LIST					
UNLESS OTHERWISE SPECIFIED DIMENSIONS ARE IN INCHES TOLERANCES ARE:			CONCORDE BATTERY CORPORATION		
FRACTIONS DECIMALS ANGLES			2009 SAN BERNARDINO RD, W. COVINA, CA 91790		
.XX ± .06			TITLE		
.XXX ± .060			BATTERY, VRSLA, 24 VOLT		
TREATMENT	NONE	CHECKED	AMIII	1/25/06	SIZE
FINISH	NONE	APPROVED	JBT	1/25/06	CAGE CODE
SIMILAR TO	ACT WT	ISSUED	NS	1/25/06	63017
				DWG NO.	REV
				RG24-16	
				SCALE	SHEET
				NONE	1 OF 1