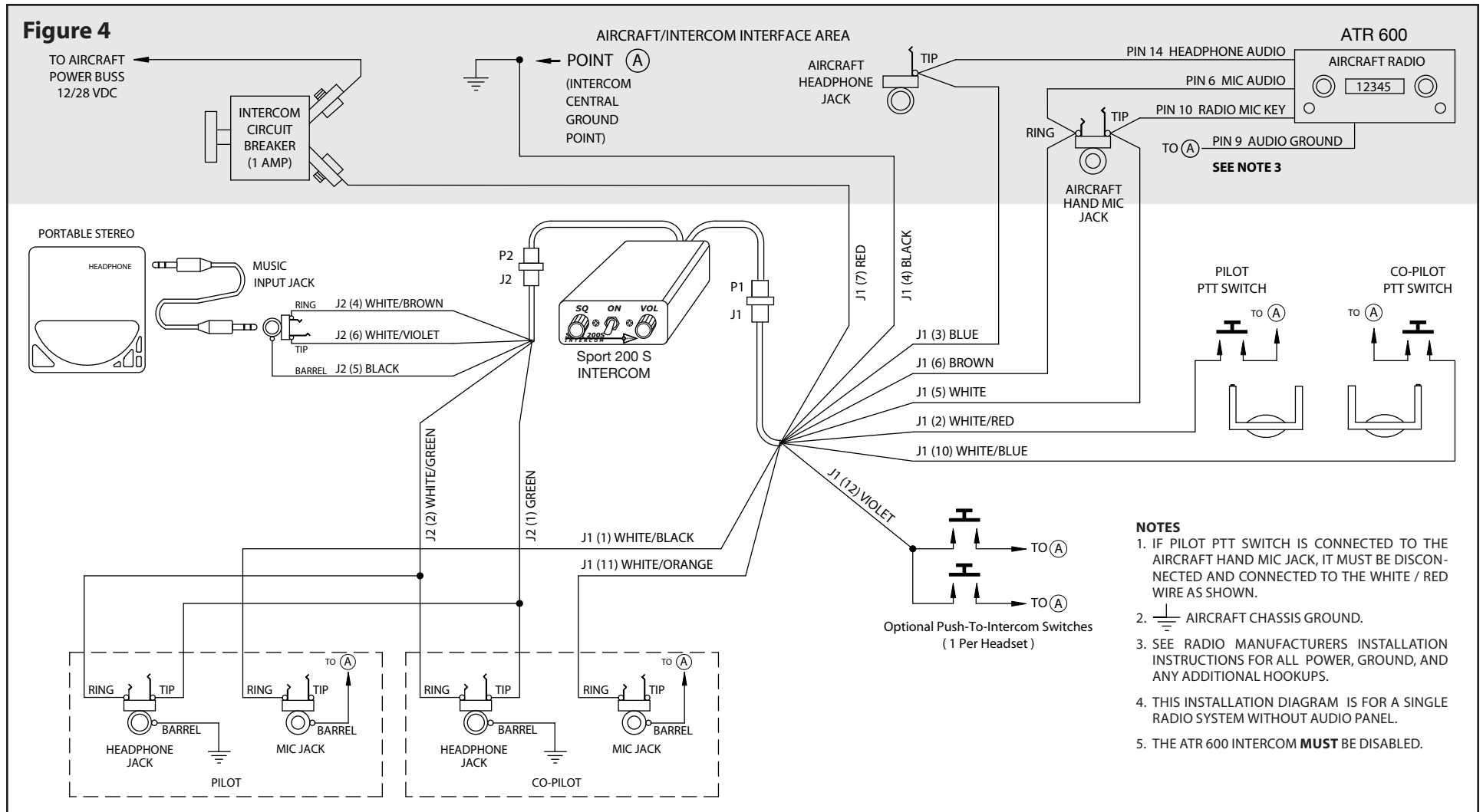


Figure 4



NOTES

1. IF PILOT PTT SWITCH IS CONNECTED TO THE AIRCRAFT HAND MIC JACK, IT MUST BE DISCONNECTED AND CONNECTED TO THE WHITE / RED WIRE AS SHOWN.
2. AIRCRAFT CHASSIS GROUND.
3. SEE RADIO MANUFACTURERS INSTALLATION INSTRUCTIONS FOR ALL POWER, GROUND, AND ANY ADDITIONAL HOOKUPS.
4. THIS INSTALLATION DIAGRAM IS FOR A SINGLE RADIO SYSTEM WITHOUT AUDIO PANEL.
5. THE ATR 600 INTERCOM **MUST** BE DISABLED.

Sport 200S – Filsler Electronic ATR 600 Radio Installation Wiring Diagram

