

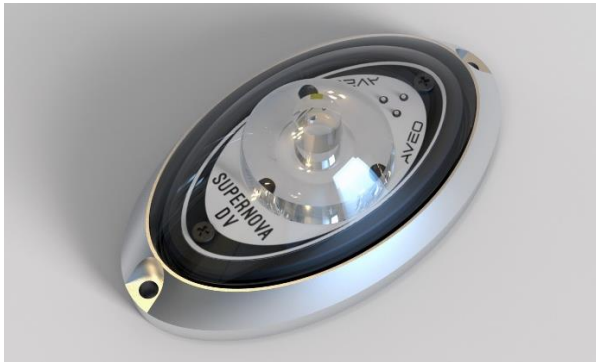
# Supernova DV™

Anticollision LED light (White or Red or Green)

Red LEDs P/N: AVE-SNDVSYR-D01

White LEDs P/N: AVE-SNDVSYW-D01

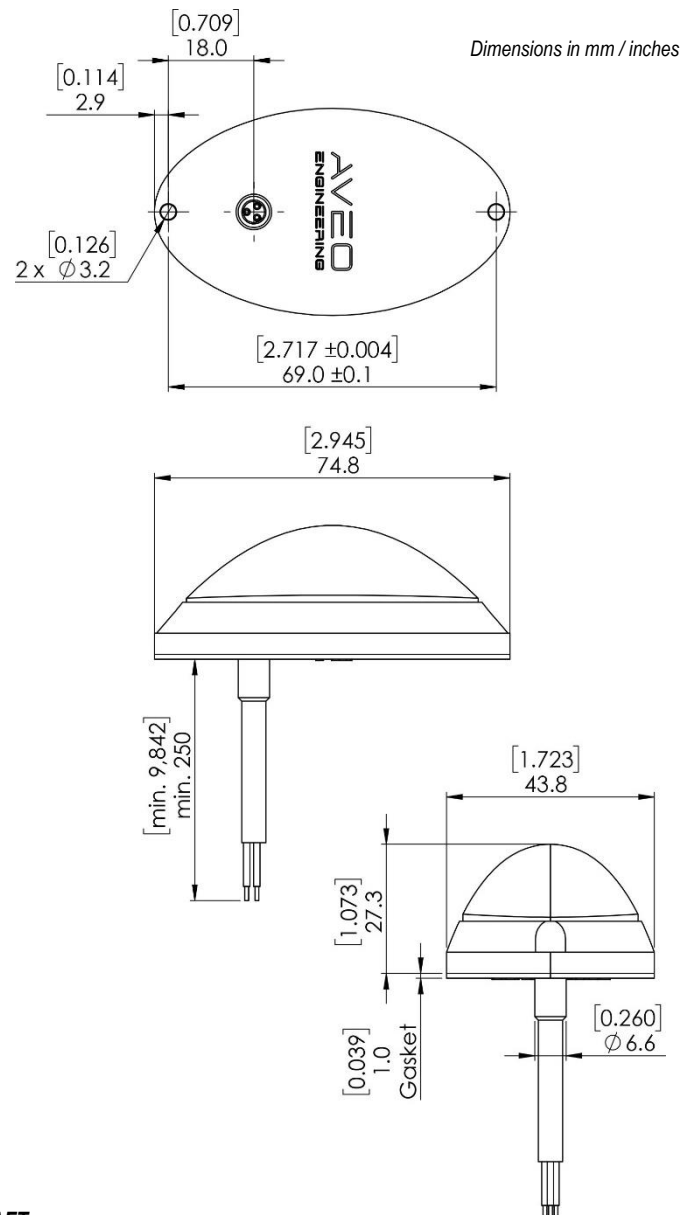
Green LEDs P/N: AVE-SNDVSYG-D01



## Specification

Dimensions (mm):	74.8 mm x 43.8 mm x 27.3 mm
Dimensions (inches):	2.945" x 1.723" x 1.073"
Weight:	64 g / 2.25 oz
Operating Voltage Range:	9 – 18 V DC
Input Current @14V (peak)	
Red: (AVE-SNDVSYR-D01)	0.25 A
White: (AVE-SNDVSYW-D01)	0.26 A
Green: (AVE-SNDVSYG-D01)	0.34 A
Input Power @14V (peak)	
Red: (AVE-SNDVSYR-D01)	3.5 W
White: (AVE-SNDVSYW-D01)	3.64 W
Green: (AVE-SNDVSYG-D01)	4.76 W
Repetition Rate of Strobe:	50 cycles per minute
Ambient Temperature:	from -55°C to +85°C from -67°F to +185°F
Overheat Protection:	Yes (+85°C / +185°F)
Reverse Polarity Protection:	Yes
Maximum Transient Voltage:	38 V at 2 sec max, both polarities
Under-Voltage Protection:	Yes
Over-Voltage Protection:	Yes
Waterproof, Dust-proof, Vibration-proof:	Yes

## Drawing



**NOT APPROVED FOR INSTALLATION ON CERTIFIED AIRCRAFT  
THIS IS NOT A TSO/ETSO CERTIFIED LIGHT**