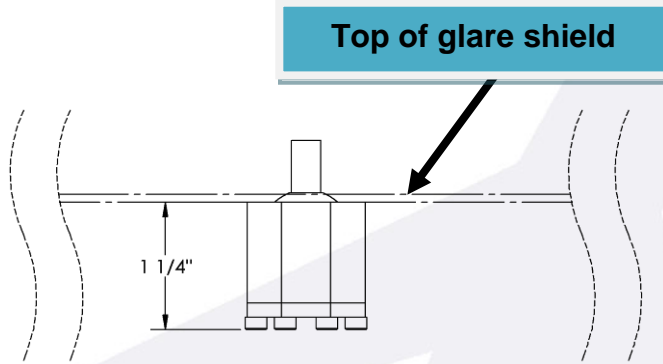
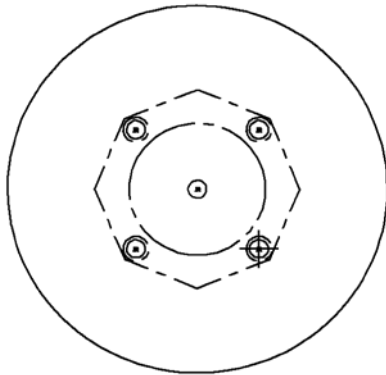


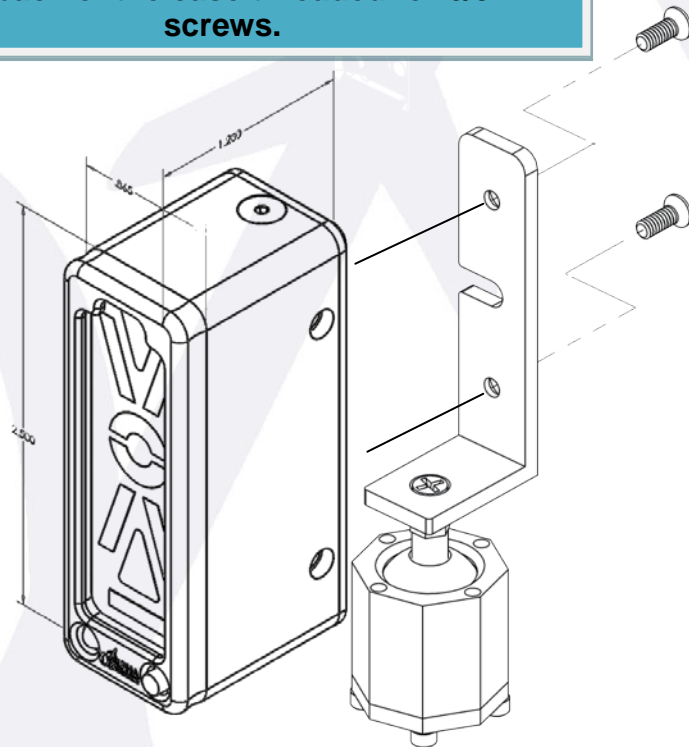
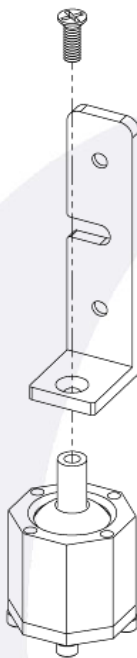
1.17 Optional Display Mounting Kits:

The **Eagle** AOA display can be mounted vertically in the pilot's peripheral vision by purchasing an optional mounting kit. These mounting kits allow for accurate positioning in a vertical orientation on, or above, the aircrafts glare shield and mounts simply with 4 screws.

Vertical Swivel Mounting Kit

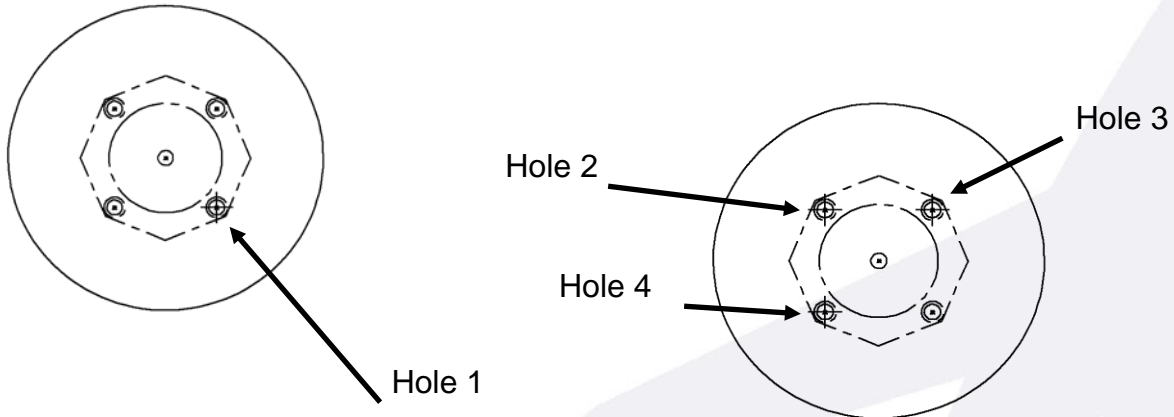


The Eagle display has mounting holes on the back of the case threaded for 6/32 screws.



The swivel kit is mounted from under the glare shield and the shaft allows the L bracket to be mounted solidly with the provided screw.

The swivel mount drill guide disk is included with the mounting kit. It's used to aid in the drilling of the mounting holes for surface placement.

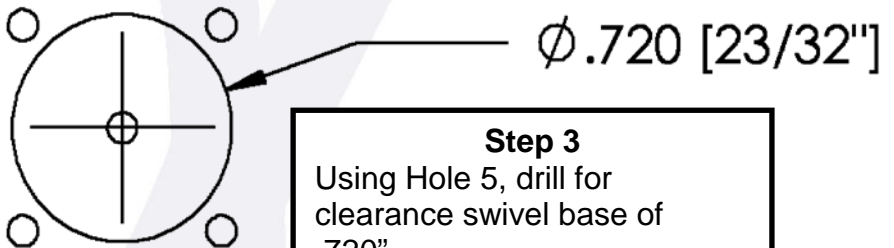
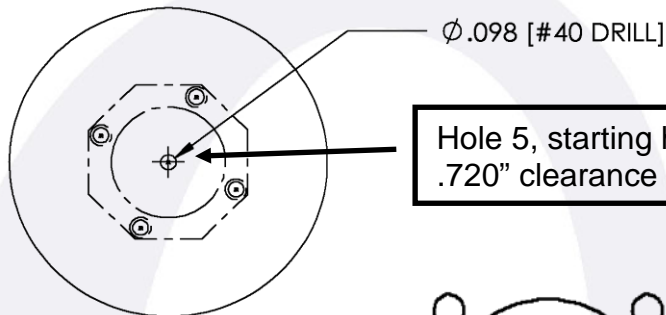


**Step 1**

Orient drill guide in location where swivel will mount, Using a #40 drill, drill hole, Cleco through hole and spin disk in final location.

**Step 2**

When disk is in the final position, drill hole 2, Cleco, drill hole 3, Cleco, drill holes 4 and 5.



4 Mounting holes and center clearance pattern on dash.

**Step 3**  
Using Hole 5, drill for clearance swivel base of .720".

Once the 4 outer holes are located and drilled, re-drill with a # 32 (.116") clearance for the 4-40 mounting screws.