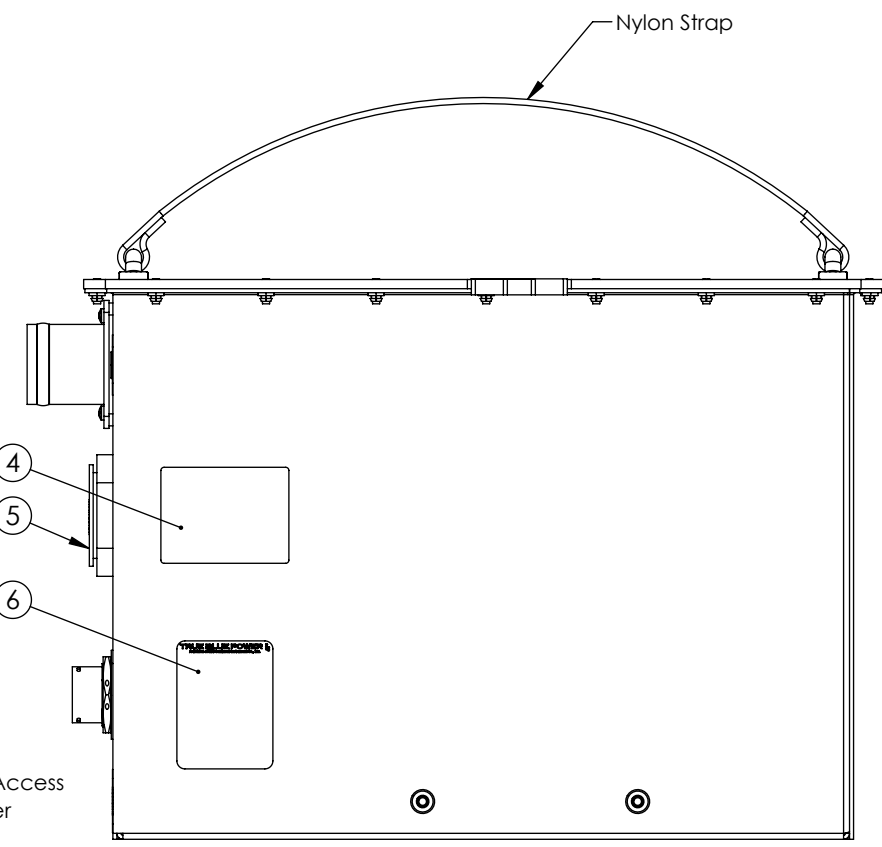
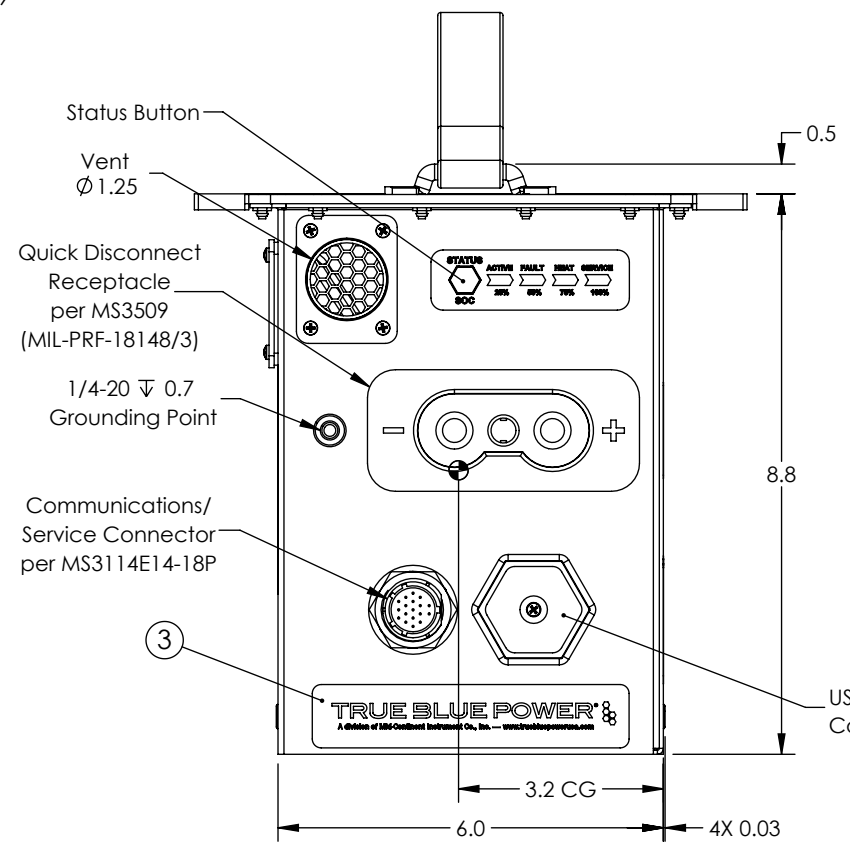
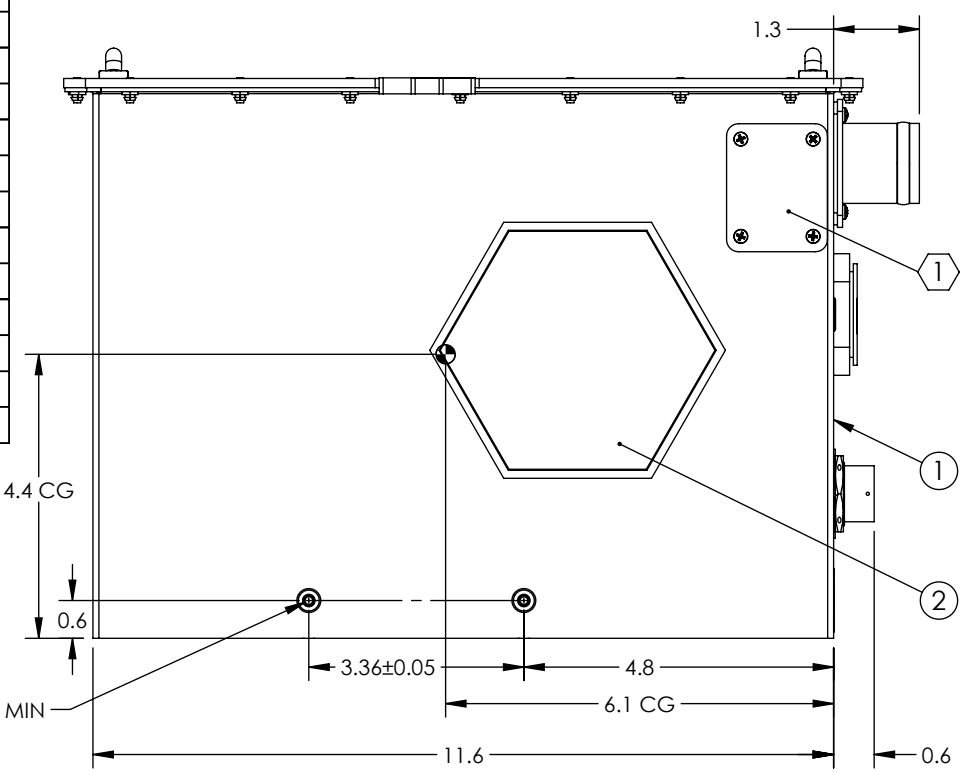
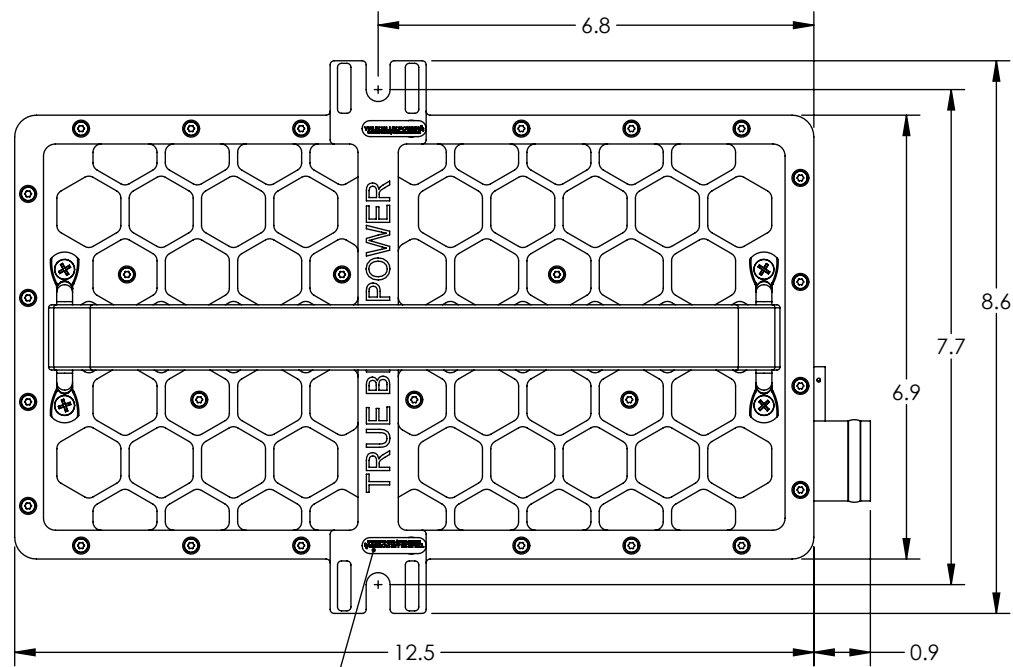


Configuration	
Dash #	Battery
-1	9019324-1
-2	9019324-2

Comm/Service	
PIN	Description
A	Analog SOC
B	Battery Disable Input
C	Heater Disable Input
D	RTD-1A
E	RTD-1B
F	RTD-2A
G	RTD-2B
H	ARINC 429 (A)
J	Service Discrete
K	Fault Discrete
L	Heating Discrete
M	SOC Insufficient Discrete
N	Analog Ground
P	Spare/BMS Ref <span style="border: 1px solid black; border-radius: 50%; padding: 0 2px;">3</span>
R	Spare
S	ARINC Ground
T	Engine Start Unavailable Discrete
U	ARINC 429 (B)

Specifications	
Model Number	TB30
Power Input	28.8 VDC Nominal, 300 A Max
Power Output	26.4 VDC Nominal, 1440 A Max
Rated Capacity	30 Ah @ 23 °C
Certification and Qualifications	FAA TSO-C179b, Class A-4B RTCA DO-311A RTCA DO-160G (See manual)
Weight	27.7 lbs
Install Manual	MCIA P/N 9019287



Revision				
ECO	Rev.	Description	Date	Approved
	A	Production release.	07/17/19	MKN/WVC
7312	B	Added dimensions for lower riv nuts. Added "Class A-4B" to TSO spec. Updated Status Overlay wording.	11/20/20	MKN/MEK
7440	C	Added -2 configuration.	01/17/22	MKN/MEK
7506	D	Updated dimension from 3.4 to 3.36, and pinout; added notes 2, 3, and grounding point depth.	06/24/22	VAA/MKN

Note:  
1 Alternate location for vent.  
2 Do not use for mounting battery.  
3 BMS reference not applicable to -1 units.

Item	Qty	Part Number	Description
1	1	See config.	Assy, Li-Ion Battery, 30 Ah
2	1	9017444	Label, Safety
3	1	9017130-1	Label, True Blue Power
4	1	9019257-1	Label, Battery, Charge Reminder
5	1	9017439-1	Dust Cap, Quick Disconnect
6	1	9019113-2	Nameplate, LI Battery
7	2	6018956-1	Decal, Warranty, TBP

UNLESS OTHERWISE SPECIFIED, ALL DIMENSIONS ARE IN INCHES.  
TOLERANCE:  
.X=±0.065  
.XX=±0.015  
.XXX=±0.005  
.XXXX=±0.002  
ANGULAR=±0.5°  
WEIGHT N.T.E. +5%  
BREAK ALL SHARP EDGES  
THREADS PER MIL-S-7742

DRAWN:  
MKN  
08/07/2018  
  
APPROVED:  
WVC  
07/07/2019

This document discloses proprietary information of Mid-Continent Instrument Co., Inc. It may be reproduced or disclosed only with written permission of Mid-Continent Instrument Co. and is not to be used in any way detrimental to the interests of Mid-Continent Instrument Co., Inc.



TITLE:  
Advanced Lithium Ion Battery, 30 Ah  
PART NUMBER:  
6430030  
SCALE: 1:3  
DO NOT SCALE THIS DRAWING  
SHEET: 1 of 1