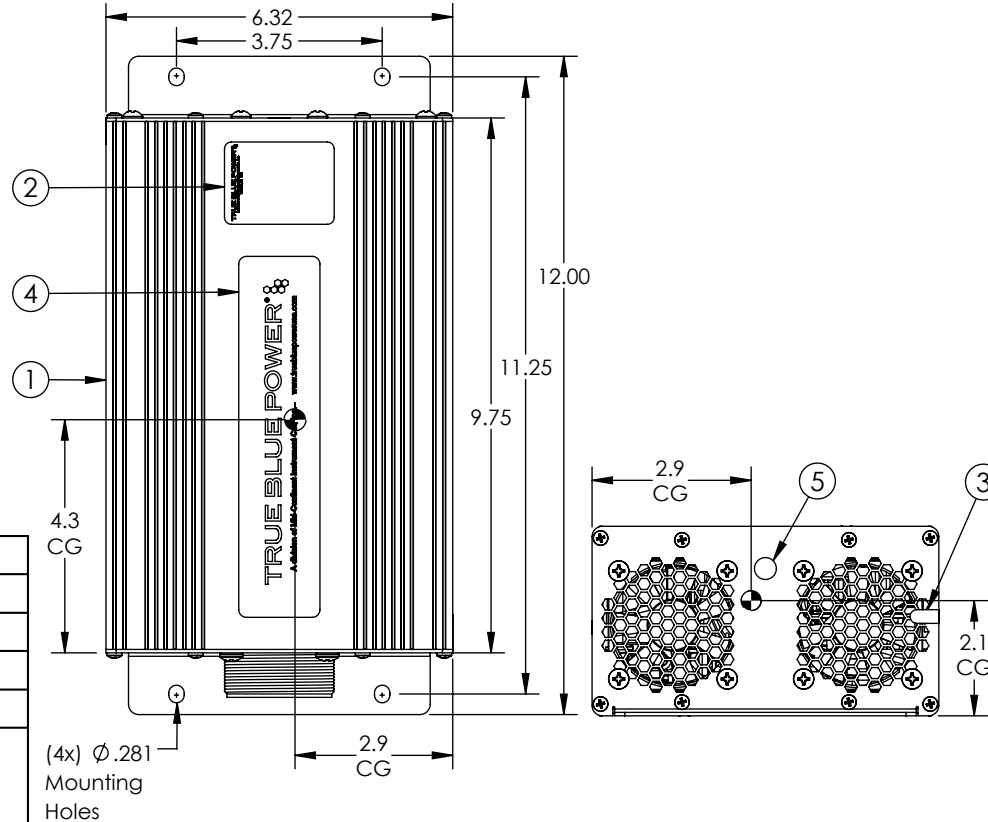
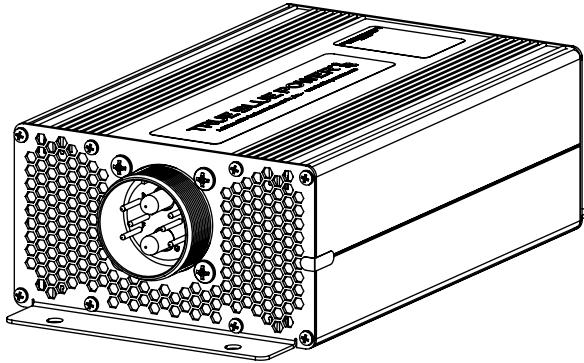


Configuration

Dash #	Assembly	Model	Output
-1	9018785	TI2000	115 VAC, 60 Hz
-2	9018785-1	TI2002	230 VAC, 50 Hz
-4	9018785-2	TI2004	115 VAC, 400 Hz

Revision

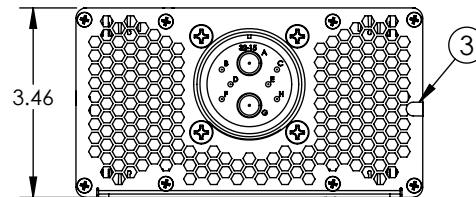
ECO	Rev.	Description	Date	Approved
		See obsolete drawing for revision history.		
6894	C	Added -2 and -4 configurations.	03/09/18	VAA/ScH
6969	D	Updated pinout table and features in specifications table.	09/07/18	VAA/ScH
7486	E	Added CG dimensions.	05/17/22	ScH/MEK



Connector Pinout	
A	20-36VDC Input
B	RS485P
C	VAC Output
D	RS485N
E	Output Return
F	Remote On/Off
G	VDC Return
H	Fault

Specifications	
Model Number	See config table
Power Input	20-36 VDC Max, 80 Amps @ 28VDC
Power Output	2000 VA, See configuration table for AC voltage
Power Factor	-0.8 to +0.8
Features	93% Efficiency, Remote ON/OFF, Sine Wave output, Single Phase Or optionally connect 3 units together for three phase Harmonic Distortion under 3%
Protection	Overtemp, Short Circuit, Undervoltage, Overvoltage
Overload	150% for 5 minutes
Weight	7.7 lbs
Qualification	FAA TSO-C73 RTCA DO-160G
Temperature	-55°C to +70°C
Altitude	55,000 feet
Mating Connector	9018784-1 and 9018550-2
Case	Anodized Aluminum, Blue
Install Manual	9018787

(4x) Ø .281
Mounting
Holes



Item	Qty	Part Number	Description
1	1	See config	Assy, Inverter, 2000W
2	1	9018786	Nameplate, TI2000
3	2	6018956-1	Decal, Warranty
4	1	9017130	Label, True Blue Power
5	1	8017212	Decal, Hole Cover

UNLESS OTHERWISE SPECIFIED, ALL DIMENSIONS ARE IN INCHES.
TOLERANCE:
.X= ±0.065
.XX= ±0.015
.XXX= ±0.005
.XXXX= ±0.002
ANGULAR= ±0.5°
WEIGHT N.T.E. +5%
BREAK ALL SHARP EDGES
THREADS PER MIL-S-7742

DRAWN:
VAA
12/21/2016

APPROVED:
BAW
02/15/2017

This document discloses proprietary information of Mid-Continent Instrument Co., Inc. It may be reproduced or disclosed only with written permission of Mid-Continent Instrument Co. and is not to be used in any way detrimental to the interests of Mid-Continent Instrument Co., Inc.

TRUE BLUE POWER
A division of Mid-Continent Instrument Co., Inc.

TITLE: Inverter, 2000W, DC to AC	PART NUMBER: 6432000
SCALE: NONE	DO NOT SCALE THIS DRAWING
SHEET: 1 of 1	