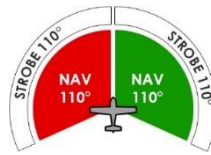


Ultra Galactica Embedded™



AVEO
ENGINEERING

Navigation / Strobe LED light

Red LEDs P/N: AVE-WPSR-64G Mod(4)
Green LEDs P/N: AVE-WPSG-64G Mod(4)



Specification

Dimensions (mm): 100 mm x 46.2 mm x 34.1 mm

Dimensions (inches): 3.94" x 1.819" x 1.34"

Weight: 113 g / 3.985 oz

Operating Voltage Range: 9 – 36 V DC

Input Power
P/N: AVE-WPSG-64G Mod(4)
Nav Green:

9 V / 0.42 A : 3.78 W
14 V / 0.28 A : 3.92 W
28 V / 0.15 A : 4.20 W
36 V / 0.12 A : 4.32 W

Input Power
P/N: AVE-WPSG-64G Mod(4)
Strobe:

9 V / 5.65 A : 50.85 W
14 V / 2.78 A : 38.92 W
28 V / 1.29 A : 36.12 W
36 V / 1.00 A : 36.00 W

Input Power
P/N: AVE-WPSR-64G Mod(4)
Nav Red:

9 V / 0.37 A : 3.33 W
14 V / 0.25 A : 3.50 W
28 V / 0.13 A : 3.64 W
36 V / 0.11 A : 3.96 W

Input Power
P/N: AVE-WPSR-64G Mod(4)
Strobe:

9 V / 5.62 A : 50.58 W
14 V / 2.79 A : 39.06 W
28 V / 1.29 A : 36.12 W
36 V / 1.00 A : 36.00 W

Repetition Rate of Strobe: 50 cycles per minute

Ambient Temperature: from -55°C to +85°C
from -67°F to +185°F

Overheat Protection: Yes (+85°C)

Recommended size of mounting screw: M5x45 mm (DIN7984) or equivalent

Torque requirement for screw M5x45mm: 1.2Nm

Reverse Polarity Protection: Yes

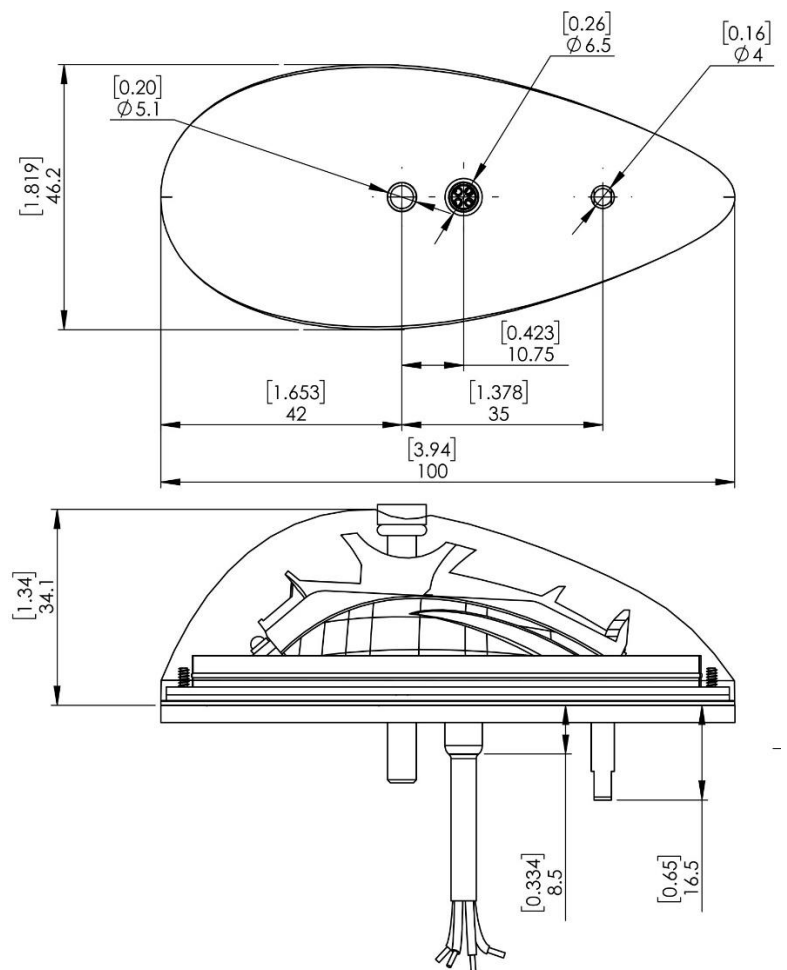
Maximum Transient Voltage: 80 V at 2 sec max, both polarities

Under-Voltage Protection: Yes

Over-Voltage Protection: Yes

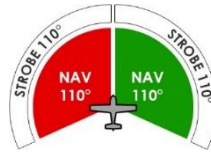
Waterproof, Dust-proof, Vibration-proof: Yes

Drawing



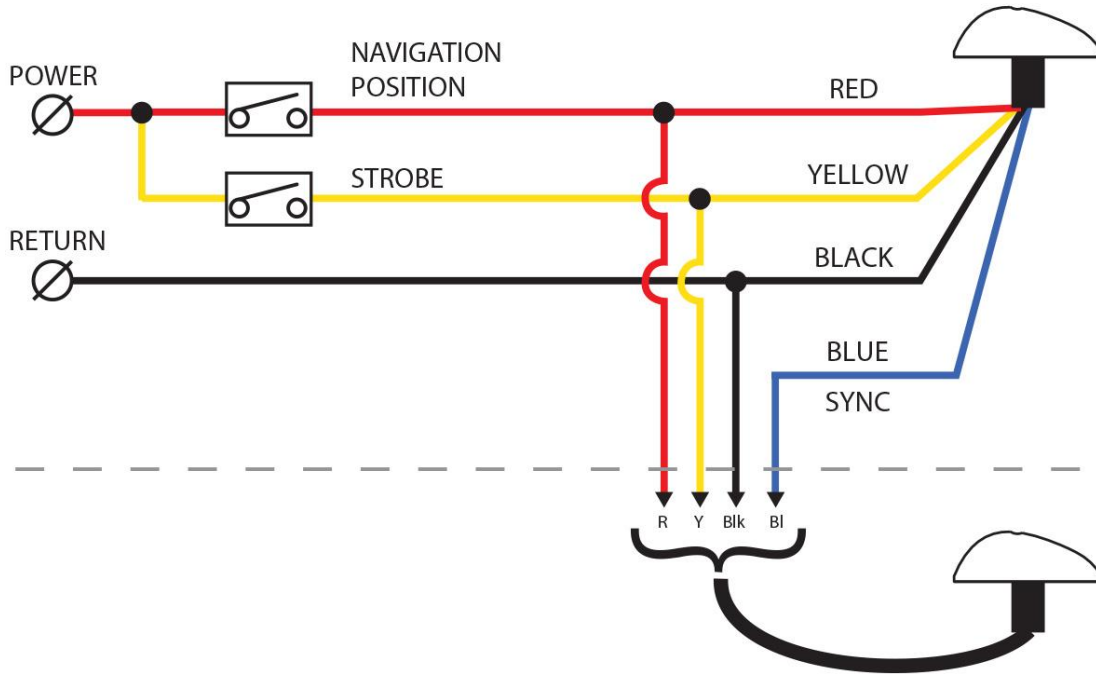
Dimensions in mm / inches

Ultra Galactica Embedded™



Navigation / Strobe LED light

Red LEDs P/N: AVE-WPSR-64G Mod(4)
Green LEDs P/N: AVE-WPSG-64G Mod(4)



Teflon insulation, 500V

Wire length from base of unit 10.00 inch min.

VCCP - AWG 20, Positive power supply line for position (RED)

VCCS - AWG 20, Positive power supply line for strobe (YELLOW)

GND - AWG 20, Common negative power supply line (BLACK)

SYNC - AWG 22, Synchronization line (BLUE)