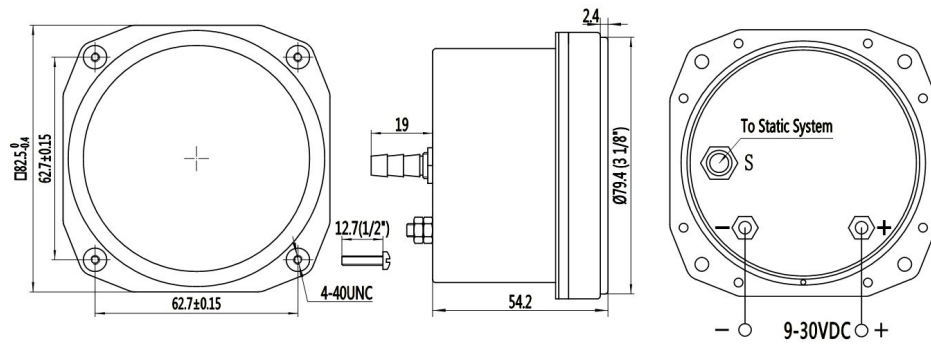


Vertical speed indicator Guide



Vertical speed indicator scale drawing

Specifications :

Operational Temperature: $-20^{\circ}\text{C} \sim 50^{\circ}\text{C}$

Operational Voltage: 9~30 VDC

Operational Current: $\leq 35\text{mA}$

Vertical speed indicator Standards: HB7697

Weight: $\leq 150\text{g}$

Measures: $\pm 2000 \text{ ft/min}$; $\pm 10 \text{ m/s}$