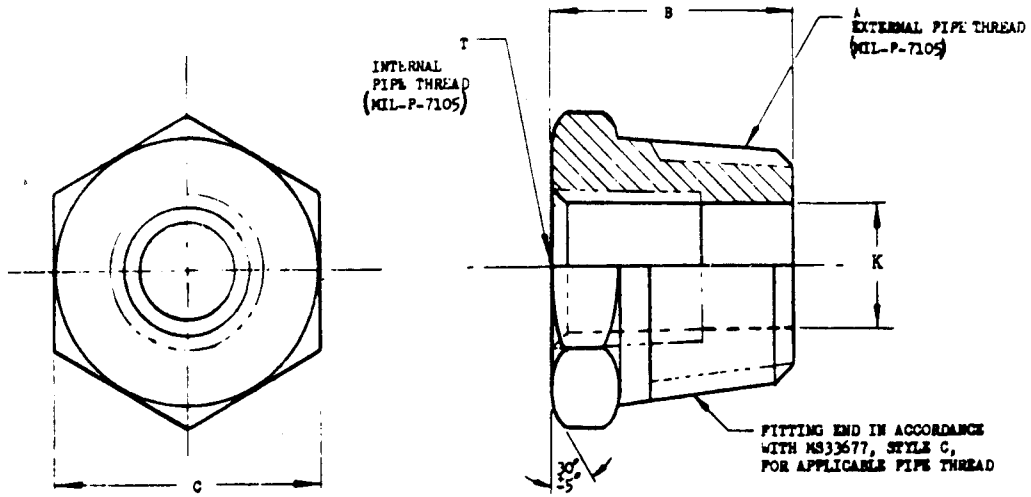


User activities: Army - ME, AV  
Navy - AS  
Air Force - 99

Review activities: Army - ME, AV  
Navy - AS, AV  
Air Force - 99  
DLA-CS

This military standard is approved for use by all Departments and Agencies of the Department of Defense. Selection for all new engineering and design applications and for repetitive use shall be made from this document when applicable.



MATERIAL: COPPER ALLOY, ALUMINUM ALLOY; BARS OR SHAPES.  
CORROSION RESISTANT STEEL (CRES), TITANIUM ALLOY; BARS, SHAPES OR FORGINGS.  
SEE PROCUREMENT SPECIFICATION.

FINISH: SEE PROCUREMENT SPECIFICATION.

NO CODE LETTER IN PART NUMBER FOR COPPER ALLOY.

- ⑨ ADD D AFTER DASH NUMBER FOR ALUMINUM ALLOY (EXCEPT 7075-T73).
- ~~ADD C AFTER DASH NUMBER FOR CRES, TYPE 302, 303, 304, 316, AND 321.~~
- ADD J AFTER DASH NUMBER FOR CRES, TYPE 304.
- ADD K AFTER DASH NUMBER FOR CRES, TYPE 316.
- ADD S AFTER DASH NUMBER FOR CRES, TYPE 304L AND 347. PARTS ARE NOT TO BE MANUFACTURED FROM TYPE 304L STEEL AFTER 10 FEBRUARY 1967.
- ADD T AFTER DASH NUMBER FOR TITANIUM ALLOY.
- ⑨ ADD W AFTER DASH NUMBER FOR 7075-T73 ALUMINUM ALLOY.  
TITANIUM IS NOT RECOMMENDED FOR USE IN OXYGEN SYSTEMS.
- ⑨ ITEMS CODED C ON PREVIOUS ISSUES OF THIS STANDARD ARE NO LONGER TO BE FURNISHED. PROCURING ACTIVITIES MUST SPECIFY APPLICABLE CRES MATERIAL CODE AS PART OF THE STANDARD PART NUMBER.  
EXAMPLE OF PART NUMBERS:  
AN912-6 - BUSHING, 1/2 PIPE FOR EXTERNAL AND 1/8 PIPE FOR INTERNAL, COPPER ALLOY.  
⑨ AN912-6D - BUSHING, 1/2 PIPE FOR EXTERNAL AND 1/8 PIPE INTERNAL, ALUMINUM ALLOY (EXCEPT 7075-T73).  
~~AN912-6C - BUSHING, 1/2 PIPE FOR EXTERNAL AND 1/8 PIPE FOR INTERNAL, CRES, TYPE 302, 303, 304, 316, OR 321.~~  
AN912-6J - BUSHING, 1/2 PIPE FOR EXTERNAL AND 1/8 PIPE FOR INTERNAL, CRES, TYPE 304.  
AN912-6K - BUSHING, 1/2 PIPE FOR EXTERNAL AND 1/8 PIPE FOR INTERNAL, CRES, TYPE 316.  
AN912-6S - BUSHING, 1/2 PIPE FOR EXTERNAL AND 1/8 PIPE FOR INTERNAL, CRES, TYPE 347.  
AN912-6T - BUSHING, 1/2 PIPE FOR EXTERNAL AND 1/8 PIPE FOR INTERNAL, TITANIUM ALLOY.
- ⑨ AN912-6W - BUSHING, 1/2 PIPE FOR EXTERNAL AND 1/8 PIPE FOR INTERNAL, 7075-T73 ALUMINUM ALLOY.

BREAK ALL SHARP EDGES AND REMOVE ALL HANGING BURRS AND SLIVERS.

DIMENSIONS IN INCHES. UNLESS OTHERWISE SPECIFIED, TOLERANCE: FRACTIONS  $\pm 1/64$ .

FOR DESIGN FEATURE PURPOSES, THIS STANDARD TAKES PRECEDENCE OVER PROCUREMENT DOCUMENTS REFERENCED HEREIN.

REFERENCED DOCUMENTS SHALL BE OF THE ISSUE IN EFFECT ON DATE OF INVITATIONS FOR BID.

INACTIVE FOR DESIGN AFTER 1 JUNE 1954, EXCEPT FOR USE ON OXYGEN SYSTEMS AND GROUND SERVICE EQUIPMENT. SEE MIL-STD-962 FOR STATUS CRITERIA.

⑨ denotes changes

APPROVED 6 JAN 41 REVISED ⑨ 16 JUN 78 ⑨ 21 MAR 79

P.A. Air Force-99 Other Cust	International Interest	AIR FORCE - NAVY AERONAUTICAL STANDARD	AN912
		BUSHING, PIPE	
Procurement Specification MIL-F-5509		SUPERSEDES:	PAGE 1 OF 2

CANCELLED

Review activities: Army - MS, AV  
Navy - AS  
Air Force - 99  
DLA-CS

User activities: Army - MS, AV  
Navy - AS  
Air Force - 99

DASH NO.	A	T	B +1/32	C	K DIA	WEIGHT MAX (LBS.)					
						COPPER ALLOY	AL ALLOY	CRCS	TI ALLOY		
1	1/4	1/8		.625	.327	+0.000 -.016	.033	.011			
2	3/8	1/4	25/32	.750	.423	+0.000 -.019	.048	.016			
3		1/8			.327	+0.000 -.016	.063	.021			
4	1/2	3/8		.937	±.004	.557	+0.000 -.028	.090	.030		
5		1/4	1-1/64			.423	+0.000 -.019	.123	.041		
6		1/8				.327	+0.000 -.016	.144	.048		
7	3/4	1/2		1.125	±.005	.688	+0.000 -.034				
8		3/8	1-1/16			.557	+0.000 -.028	.195	.065		
9		1/4				.423	+0.000 -.019	.228	.076		
10	1	3/4		1.375	±.005	.897	+0.000 -.040	.246	.082		
11		1/2	1-1/4			.688	+0.000 -.034	.339	.113		
12		3/8				.557	+0.000 -.028	.402	.134		
13	1-1/4	3/4	1-9/32	1.750	±.016	.897	+0.000 -.040	.576	.192		

21 MAR 79

REVISED 9 For changes see page 1.

APPROVED 6 JAN 41

This military standard is approved for use by all Departments and Agencies of the Department of Defense. Selection for all new engineering and design applications and for repetitive use shall be made from this document when applicable.

P.A. Air Force-99 Other Cust	International Interest	AIR FORCE - NAVY AERONAUTICAL STANDARD	AN912
		BUSHING, PIPE	
Procurement Specification MIL-P-5509		SUPERSEDES:	PAGE 2 OF 2