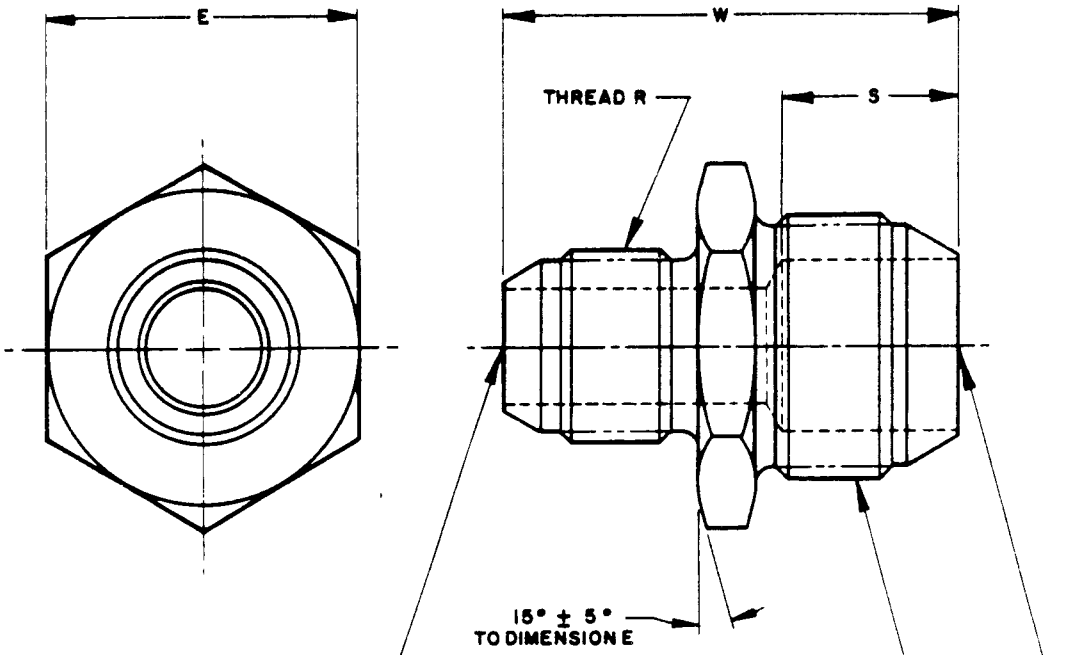


USER ACTIVITIES  
REVIEWER ACTIVITIES DLA-CS



FITTING END IN ACCORDANCE WITH MS33656, STYLE E, FOR TUBE SIZE SPECIFIED FOR SMALL END.

FITTING END IN ACCORDANCE WITH MS 33656, STYLE E, FOR TUBE SIZE SPECIFIED FOR LARGE END

(a) TOLERANCES ON HEX DIMENSIONS SHALL BE IN ACCORDANCE WITH MS33656. TITANIUM NOT FOR USE IN OXYGEN SYSTEMS.

MATERIAL: ALUMINUM ALLOY; BARS, SHAPES OR FORGINGS.  
STEEL; BARS, SHAPES, OR FORGINGS. TITANIUM ALLOY-BARS, SHAPES OR FORGINGS.  
CORROSION RESISTANT STEEL - BARS, SHAPES, OR FORGINGS.  
SEE PROCUREMENT SPECIFICATION.

FINISH: SEE PROCUREMENT SPECIFICATION.

NO CODE LETTER IN PART NUMBER FOR STEEL.  
ADD D AFTER DASH NUMBER FOR ALUMINUM ALLOY (EXCEPT ALLOY 7075-T73).  
ADD J AFTER DASH NUMBER FOR CORROSION RESISTANT STEEL, TYPE 304.  
ADD K AFTER DASH NUMBER FOR CORROSION RESISTANT STEEL, TYPE 316.  
ADD S AFTER DASH NUMBER FOR CORROSION RESISTANT STEEL, TYPE 347.  
ADD T AFTER DASH NUMBER FOR TITANIUM.  
ADD W AFTER DASH NUMBER FOR 7075-T73.

EXAMPLE OF PART NUMBERS:  
AN919-8 - REDUCER, 1/2 TUBING, STEEL.  
AN919-8D - REDUCER, 1/2 TUBING, ALUMINUM ALLOY (EXCEPT 7075-T73).  
AN919-8J - REDUCER, 1/2 TUBING, CORROSION RESISTANT STEEL, TYPE 304.  
AN919-8K - REDUCER, 1/2 TUBING, CORROSION RESISTANT STEEL, TYPE 316.  
AN919-8S - REDUCER, 1/2 TUBING, CORROSION RESISTANT STEEL, TYPE 347.  
AN919-8T - REDUCER, 1/2 TUBING, TITANIUM.  
AN919-8W - REDUCER, 1/2 TUBING, 7070-T73.

BREAK ALL SHARP EDGES AND REMOVE ALL HANGING BURRS AND SLIVERS WHICH MIGHT BECOME DISLODGED UNDER USAGE.

DIMENSIONS IN INCHES. UNLESS OTHERWISE SPECIFIED, TOLERANCES: FRACTIONS ±1/64, DECIMALS ±.005, ANGLES ±1/2.

9 ENTIRE STANDARD REVISED

P. A. <b>AIR FORCE - 82</b> Other Cost ARMY - AV NAVY - AS <b>AIR FORCE - 99</b>	INTERNATIONAL INTEREST	<b>AIR FORCE-NAVY AERONAUTICAL STANDARD</b>		<b>AN919</b>
		<b>REDUCER - EXTERNAL THREAD FLARED TUBE</b>		
PROCUREMENT SPECIFICATION <b>MIL-F-5509</b>	SUPERSEDES:	SHEET 1 OF 2		

This military standard is approved for use by all Departments and Agencies of the Department of Defense. Section for all new engineering and design applications and for repetitive use shall be made from this document.

APPROVED 13 FEB 42 REVISED 8 16 APRIL 82 9 4 Aug 83

USER ACTIVITIES

REVIEWER ACTIVITIES DLA-CS

This military standard is approved for use by all Departments and Agencies of the Department of Defense. Selection for all new engineering and design applications and for repetitive use shall be made from this document.

DASH NO.	LARGE END		SMALL END		E	W	S
	TUBE OD	⑨ THREAD T REF	TUBE OD	⑨ THREAD R REF			
AN919-0	3/16	3/8 -24UNJF-3A	1/8	5/16-24UNF-3A	.625	1-11/64	5/8
AN919-1	1/4	7/16-20UNJF-3A	3/16	3/8 -24UNF-3A	.688	1- 1/4	11/16
AN919-2							
AN919-3	5/16	1/2 -20UNJF-3A	1/4	7/16-20UNF-3A	.750	1-23/64	39/64
AN919-4	3/8	9/16-18UNJF-3A	1/8	5/16-24UNF-3A	.813	1-19/64	5/8
AN919-5			3/16	3/8 -24UNF-3A		1-21/64	
AN919-6			1/4	7/16-20UNF-3A		1-13/32	
AN919-7			5/16	1/2 -20UNF-3A			
AN919-8	1/2	3/4 -16UNJF-3A	1/8	5/16-24UNF-3A	1.000	1-27/64	23/32
AN919-9			3/16	3/8 -24UNF-3A		1-29/64	
AN919-10			1/4	7/16-20UNF-3A			
AN919-11			5/16	1/2 -20UNF-3A		1-17/32	
AN919-12			3/8	9/16-18UNF-3A			
AN919-13	5/8	7/8 -14UNJF-3A	1/4	7/16-20UNF-3A	1.125	1-21/32	51/64
AN919-14			3/8	9/16-18UNF-3A			
AN919-15			1/2	3/4 -16UNF-3A		1- 3/4	
AN919-16	3/4	1-1/16-12UNJ -3A	1/4	7/16-20UNF-3A	1.375	1-51/64	57/64
AN919-17			5/16	1/2 -20UNF-3A			
AN919-18			3/8	9/16-18UNF-3A			
AN919-19			1/2	3/4 -16UNF-3A		1-57/64	
AN919-20			5/8	7/8 -14UNF-3A		2	
AN919-21	1	1-5/16-12UNJ -3A	1/4	7/16-20UNF-3A	1.625	1-27/32	
AN919-22			5/8	7/8 -14UNF-3A		2- 3/64	
AN919-23			3/4	1-1/16-12UNJ -3A		2- 5/32	
AN919-24	1-1/4	1-5/8 -12UNJ -3A	1/4	7/16-20UN -3A	1.875	1-57/64	55/64
AN919-25			3/4	1-1/16-12UNJ -3A		2- 1/4	
AN919-26							
AN919-27	1-1/2	1-7/8 -12UNJ -3A	1	1-5/16-12UNJ -3A	2.125	2-23/64	
AN919-28			1-1/4	1-5/8 -12UNJ -3A	2.125	2-13/32	29/32
AN919-29	1	1-5/16-12UNJ -3A	1/2	3/4 -16UNF-3A	1.625	2- 5/32	57/64

APPROVED 13 FEB 42 REVISED 6 FOR CHANGES SEE PAGES 1 & 2 16 APRIL 82 9

⑨ ENTIRE STANDARD REVISED

P. A.  
AIR FORCE - 82  
Other Cust  
ARMY - AV  
NAVY - AS  
AIR FORCE - 99

INTERNATIONAL INTEREST

AIR FORCE - NAVY AERONAUTICAL STANDARD

REDUCER - EXTERNAL THREAD FLARED TUBE

AN 919

PROCUREMENT SPECIFICATION MIL-F-5509

SUPERSEDES:

SHEET 2 OF 2