



QUALITY LUG NUTS

Zinc Plated



Lug Nuts 1/2-20, each 8532

SLOTTED HEX NUTS

Grade 5



SIZE	PART
1/4-28	8527
5/16-24	8535
3/8-24	8536
1/2-20	8528
5/8-18	8521
5/8-18 Thin	8518
3/4-16	8511

BOLTS WITH HOLES

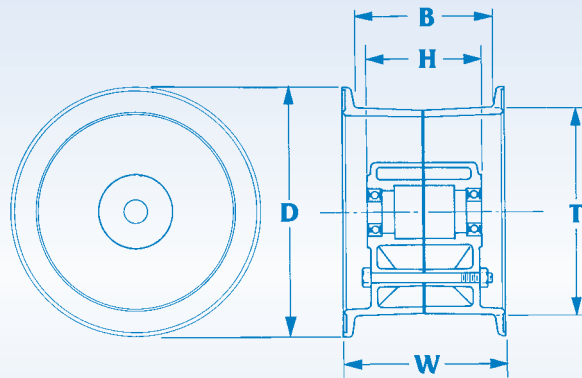
Grade 5

Hole Drilled 3/32" from End for Safety Wire or Cotter Pin



SIZE	PART
1/4-28 x 3/4	8412
1/4-28 x 7/8	8423
5/16-24 x 1-1/4	8414
5/16-24 x 2	8486
5/16-24 x 2-1/4	8485
5/16-24 x 3-1/2	8428
3/8-24 x 1-3/4	8481
3/8-24 x 2-1/4	8482
3/8-24 x 4	8473

	Tire Size	Bead Width	Maximum Width	Wheel Diameter	Hub Width	Weight (Nominal)
Aluminum Wheels	T	B	W	D	H	LBS.
5" TRI STAR						
For Ball Bearings (1-3/8 OD)	5"	3.12"	3.70"	6.00"	2.90"	2.4
For Live Axle	5"	3.12"	3.70"	6.00"	2.90"	2.4
For Tapered Roller Bearings	5"	3.12"	3.70"	6.00"	2.90"	2.4
6" TRI STAR						
For Ball Bearings (1-3/8 OD)	6"	2.75"	3.25"	7.12"	1.95"	2.1
For Ball Bearings (1-3/8 OD)	6"	3.37"	3.88"	7.12"	2.62"	2.6
For Ball Bearings (1-3/8 OD)	6"	4.00"	4.50"	7.12"	3.25"	3.2
For Live Axle	6"	4.00"	4.50"	7.12"	3.25"	3.7
For Tapered Roller Bearings	6"	4.00"	4.50"	7.12"	3.25"	3.6
6" "ASTRO"						
For Ball Bearings (1-3/8 OD)	6"	3.00"	3.50"	7.12"	3.00"	2.1
8" TRI STAR						
For Ball Bearings (1-3/8 OD)	8"	3.00"	3.62"	9.00"	2.50"	3.7
For Tapered Roller Bearings	8"	3.00"	3.62"	9.00"	2.50"	3.7
8" "SPINNER"						
For Ball Bearings (1-3/8 OD)	8"	3.00"	3.50"	9.00"	3.00"	2.5



Azusalite Wheels	T	B	W	D	H	LBS.
4" NYLON						
For Ball Bearings (1-3/8 OD)	4"	2.75"	3.25"	5.00"	1.50"	0.55
5" NYLON						
For Ball Bearings (1-3/8 OD)	5"	3.00"	3.40"	6.12"	1.50"	0.86
For Ball Bearings (1-3/8 OD)	5"	3.60"	4.00"	6.12"	1.50"	1.0
For Ball Bearings (1-3/8 OD)	5"	4.20"	4.60"	6.12"	1.50"	1.1
For Ball Bearings (1-5/8 OD)	5"	3.00"	3.40"	6.12"	1.75"	0.86
For Live Axle	5"	4.20"	4.60"	6.12"	2.10"	1.32
For Live Axle	5"	3.60"	4.10"	6.12"	1.95"	1.31
6" NYLON						
For Ball Bearings (1-3/8 OD)	6"	2.75"	3.25"	7.12"	3.25"	1.2
For Ball Bearings (1-5/8 OD)	6"	2.75"	3.25"	7.12"	3.25"	1.2
Steel Wheels	T	B	W	D	H	LBS.
4" MULTI-PURPOSE						
For Ball Bearings	4"	2.25"	2.75"	5.00"	2.50"	1.85
For Live Axle	4"	2.25"	2.75"	5.00"	2.75"	2.20
5" MULTI-PURPOSE						
For Ball Bearings	5"	2.625"	3.50"	6.25"	2.50"	2.95
For Live Axle	5"	2.625"	3.50"	6.375"	2.75"	3.35
6" MULTI-PURPOSE						
For Ball Bearings	4"	2.25"	2.75"	5.00"	2.50"	3.40
For Live Axle	4"	2.25"	2.75"	5.00"	2.50"	3.75
10" TEN-INCH						
For Ball Bearings (1-3/8 OD)	10"	2.25"	2.75"	5.00"	2.50"	5.2