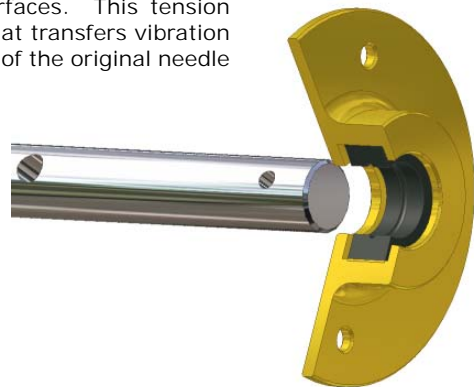


Control Arms, Shafts and Bearing Housings for Cessna Aircraft

Unique Elastomer Bearing Replaces Needle Bearing

McFarlane's elastomer bearing is assembled with tension between the mating surfaces. This tension prevents micro-movement and its related metal erosion. The bearing contact area that transfers vibration motion from the heat box to the butterfly shaft is hundreds of times greater than that of the original needle bearing. This large surface effectively prevents localized metal erosion.

- Absorbs shaft and butterfly vibration
- Eliminates needle bearing failures
- Increases service life of *all* components
- Direct replacement for original parts



Proven Design

- Tested to over 700,000 cycles while exposed to avgas, heat and vibration without any change in performance
- Extremely rugged and wear resistant in high temperature and fuel environments

Convenient

- Discontinued part numbers through the factory are now manufactured by McFarlane
- Also available in kits containing the shaft, arm, bearing housings, monel rivets, and roll pin

Model	Serial Number	Shaft P/N	Arm P/N	Roll Pin	Rivet P/N	Bearing Housing P/N	Kit P/N
152	15279406 thru 15286033	MC0450068-2	MCS2280-8-00	NASM16562-17	MS20615-4M9	MC0750113-1	CCH-KT-1
A152	A1520735 thru A1521049	MC0450068-2	MCS2280-8-00	NASM16562-17	MS20615-4M9	MC0750113-1	CCH-KT-1
F152	F15201429 thru F15201980	MC0450068-2	MCS2280-8-00	NASM16562-17	MS20615-4M9	MC0750113-1	CCH-KT-1
FA152	FA1520337 thru FA1520425	MC0450068-2	MCS2280-8-00	NASM16562-17	MS20615-4M9	MC0750113-1	CCH-KT-1
172B,C	17247747 thru 17249544	MC0550180-16		See Note 1	MS20615-4M9	MC0750113-1	CCH-KT-2
172D,E,F,G	17249545 thru 17254892	MC0550180-28		See Note 1	MS20615-4M9	MC0750113-1	CCH-KT-3
F172D,E,F,G	F172-0001 thru F172-0319	MC0550180-28		See Note 1	MS20615-4M9	MC0750113-1	CCH-KT-3
172H,I,K,L,M,N,P	17254893 thru 17276673	MC0550180-16		See Note 1	MS20615-4M9	MC0750113-1	CCH-KT-2
F172H,K,L,M,N,P	F172-0320 thru F17202254	MC0550180-16		See Note 1	MS20615-4M9	MC0750113-1	CCH-KT-2
172Q	17275869 thru 17276516	MC0509068-6	MC0750111-19	NASM16562-17	MS20615-4M9	MC0750113-3	CCH-KT-4
P172	17257120 thru 17257188	Not Available	Not Available		MS20615-4M9	MC0750113-1	N/A
175, 175A	55001 thru 56777	MC0750133-8	MC0750111-19	NASM16562-17	MS20615-4M9	MC0750113-3	CCH-KT-5
175B,C	17556778 thru 17557119	Not Available	Not Available		MS20615-4M9	MC0750113-1	N/A
177	17700001 thru 17701164	Not Available	Not Available		MS20615-4M9	N/A	N/A
177A,B	17701165 thru 17702752	MC1752078-4	MC0750111-19	NASM16562-16	MS20615-4M9	N/A	N/A
180*	30000 thru 32150	MC0750112	MC0750111-19	NASM16562-16	MS20615-4M9	MC0750113-1	CCH-KT-7
180*, 180A,B	32151 thru 50661	MC0750126-19	MC0750111-19	NASM16562-16	MS20615-4M9	MC0750113-3	CCH-KT-8
180C,D,E,F,G,H,J,K	50662 thru 18053203	MC0750133-8	MC0750111-19	NASM16562-16	MS20615-4M9	MC0750113-1	CCH-KT-9
182, 182A,B,C,D,E,F,G,H	33000 thru 18268615	MC0750133-8	MC0750111-19	NASM16562-16	MS20615-4M9	MC0750113-1	CCH-KT-9
182J,K,L,M,N,P,Q,R	33000 thru 18268615	MC0750133-8	MC0750111-19	NASM16562-16	MS20615-4M9	MC0750113-1	CCH-KT-9
F182P,Q	F18200001 thru 18200169	MC0750133-8	MC0750111-19	NASM16562-16	MS20615-4M9	MC0750113-1	CCH-KT-9
R182	R18200001 thru R18202041	Not Available	MCS2280-3-157	NASM16562-205	MS20615-4M9	MC0750113-1	N/A
FR182	FR18200001 thru FR18200070	Not Available	MCS2280-3-157	NASM16562-205	MS20615-4M9	MC0750113-1	N/A
185, 185A,B,C,D,E/A185E*	185-0001 thru 185-1300	MC0750173-3	MC0750111-19	NASM16562-16	MS20615-4M9	MC0750113-1	CCH-KT-10
A185E*	185-1301 thru 18501832	MC0750173-4	MC0750111-19	NASM16562-16	MS20615-4M9	MC0750113-1	CCH-KT-11
188	188-0001 thru 18802348	MC0750133-8	MC0750111-19	NASM16562-16	MS20615-4M9	MC0750113-1	CCH-KT-9

* Partial model eligibility

Notes

1. The control arm is integral with the shaft.
2. Attach shaft to arm with the specified roll pin

New Vibration Absorbing Bearings!

