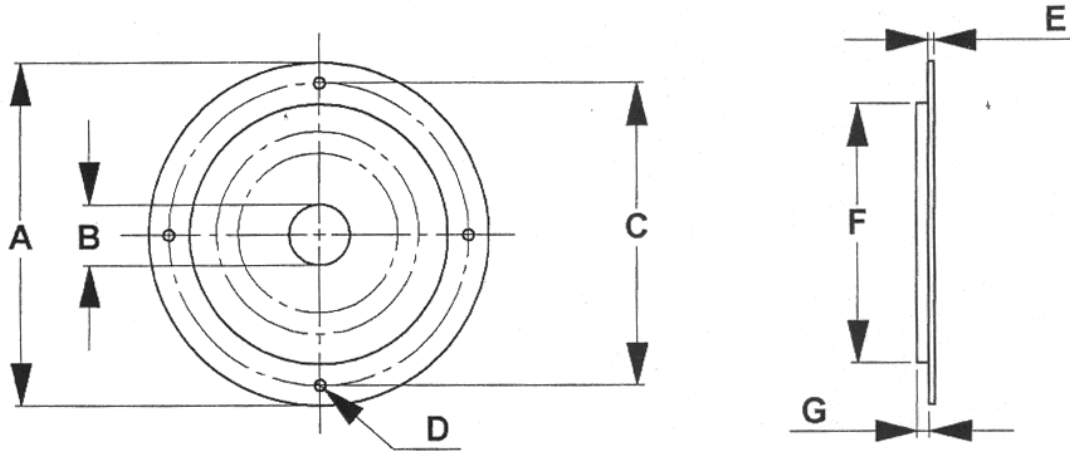


TECHNICAL SPECIFICATIONS - GS SERIES



GS SERIES								
Part No.	A	B	C	D	E	F	G	RETAIL
GS2003-5	1.500	No Hole	1.250	.125	.040	1.000	.120	\$16.00
GS50238-BL	2.000	No Hole	1.750	.125	.040	1.550	.120	\$19.00
GS1003-BL	3.000	No Hole	2.625	.125	.040	2.250	.120	\$17.00
GS1003-4	3.000	.250	2.625	.125	.040	2.250	.120	\$17.00
GS1003-6	3.000	.375	2.625	.125	.040	2.250	.120	\$17.00
GS1003-8	3.000	.500	2.625	.125	.040	2.250	.120	\$17.00
GS1003-10	3.000	.625	2.625	.125	.040	2.250	.120	\$17.00
GS1003-12	3.000	.750	2.625	.125	.040	2.250	.120	\$17.00
GS1003-16	3.000	.950	2.625	.125	.040	2.250	.120	\$17.00
GS1003-20	3.000	1.180	2.625	.125	.040	2.385	.170	\$17.00
GS404-BL	4.000	No Hole	3.625	.125	.040	3.000-2PI	.060	\$27.00
GS404-16	4.000	1.000	3.625	.125	.040	3.000-2PI	.060	\$27.00
GS404-30	4.000	1.800	3.625	.125	.040	3.000-2PI	.060	\$27.00
GS5001-1	4.500	1.500	4.000	.125	.040	3.400	.250	\$59.00
GS5001-2	4.500	2.120	4.000	.125	.040	3.400	.250	\$65.00
GS1003-6INBL	6.000	No Hole	5.500	.125	.040	5.000	.060-2PI	\$45.00

Disclaimer:

Seals-it takes no responsibility for the suitability of the parts to any application to which they may be put. Seals-it will not be responsible for any contingent, incidental or consequential damages of any kind whatsoever.