

# Koger SUNSHADES™

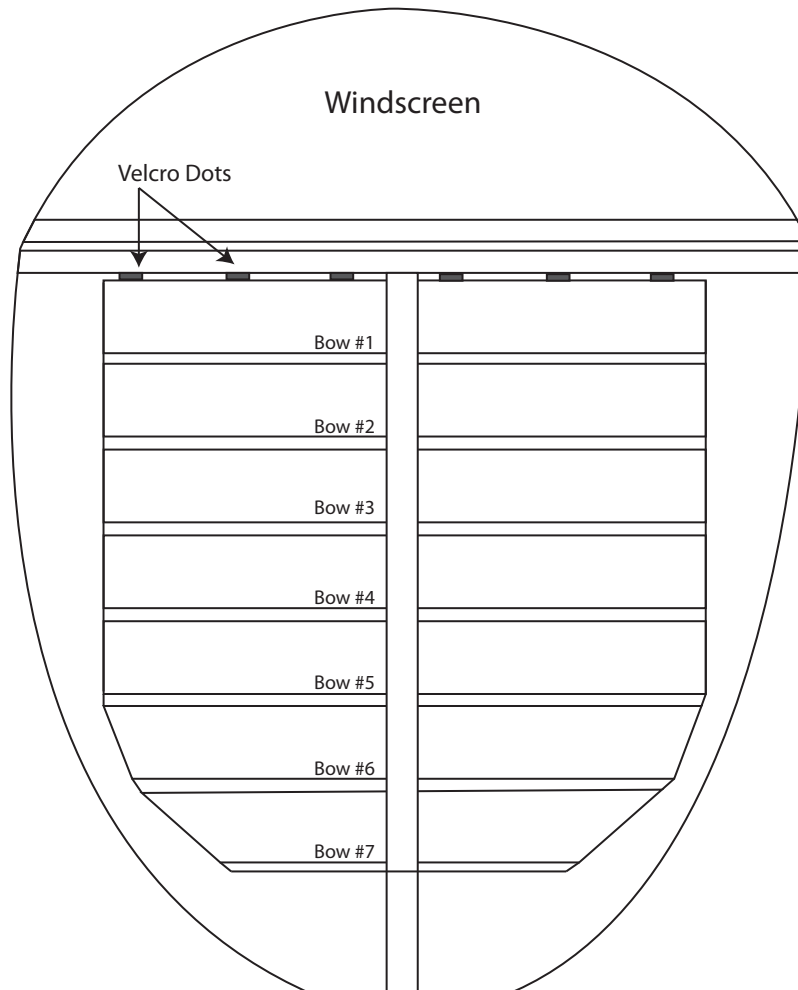


## Installing the RV-Super Slider Type Koger SunShade™ With 1" Diameter Center Canopy Support

The following items should be included in your Koger SunShade™ Kit:

- |                              |                               |
|------------------------------|-------------------------------|
| (1) Center Channel           | (4) #4 Screws for the channel |
| (7) Aluminum Bows            | (1) Drill bit                 |
| (2) Shade Fabric             | (1) Tap                       |
| (6) Velcro "Dots" and screws | (1) Tube of glue              |

Top View of Canopy Looking Down



Thank you for buying the Koger SunShade™.

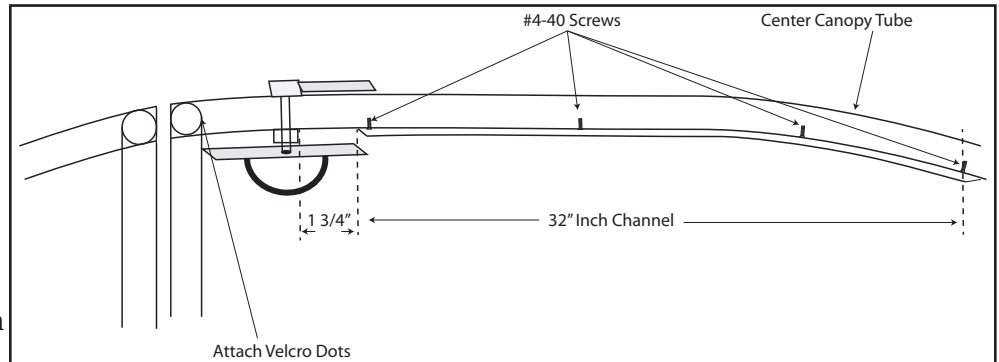
Contact us: [www.kogersunshades.com](http://www.kogersunshades.com) Email: [kogersunshades@hotmail.com](mailto:kogersunshades@hotmail.com)  
Office/Home Phone: 515-432-5714 Cell Phone: 515-230-2700

## Koger SunShade™ Installation Instructions:

1. Fit the channel along the bottom of the center canopy tube. **Bend the channel slightly by hand until it conforms to the center tube perfectly.** Mark the location of the front of the channel 1 3/4" behind the handle weldment. Drill and tap the front screw hole and install the front screw. (Figure 1.1)

Figure 1.1

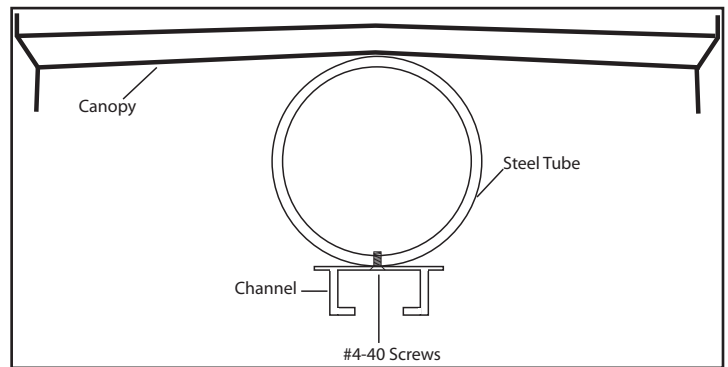
2. After installing the front screw, (Figure 2.1) accurately mark the canopy tube for drilling using the remaining pre-drilled holes in the channel. *It helps to tape the channel to the tube while marking.* After marking the location of the three additional screws, swing the channel to the side so that you can drill and tap the tube. Install the channel with the three remaining screws.



3. Install the wire bows in their respective locations, and bend them by hand to conform to the canopy shape. The ends should just lightly touch the canopy.

Figure 2.1

4. Lay out the shade fabric with the loops on top. (Figure 3.1) Thread the numbered bows, starting with #1 bow (larger white set screw), into the loops on the back of the first segment in the left and right fabric panels (behind the front fabric panel with the Velcro dots). The 5th bow has the small black set screw. A white set screw will be in the rear (#7) loop.



5. Slide the left and right fabric panels onto the bows. Apply a drop of super glue to each bow (and fabric) at the center next to the channel. This will keep the panels from sliding off the bows.

6. Slide the completed bow-and-fabric unit into the channel from the back. Tighten the white thumb screw near the front end of the channel and extend the material to the canopy front support tube.

7. The six Velcro hook dots and screws can now be positioned, drilled and tapped in the front canopy cross-tube. The location of the Velcro dots can be where you wish but a four o'clock position on the tube circumference has worked out well.

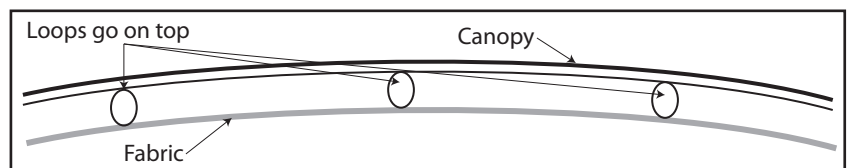


Figure 3.1

8. After installing the six Velcro dots, stick the Velcro patches on the fabric to the dots, and adjust the front thumb screw so there is just a slight amount of tension on the front fabric panel. Then extend the #5 bow to the rear and lock the thumb screw. Extend the back two panels and lock the back white thumbscrew. The shade is now in its normal extended position. The rear two panels are normally not moved when using the SunShade.

The Buyer/Installer of the Koger SunShade™ accepts full responsibility for its use.

The manufacturer has no control over how the product will be used, and assumes no liability for its use.